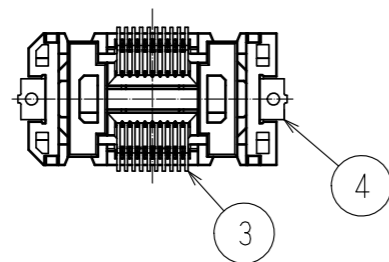
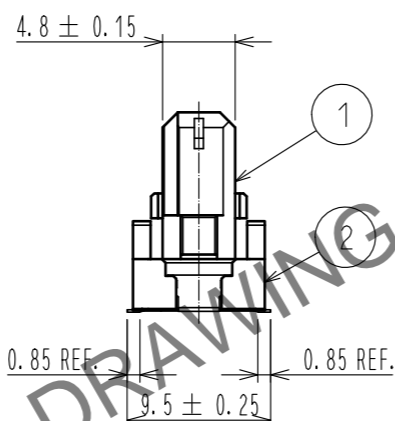
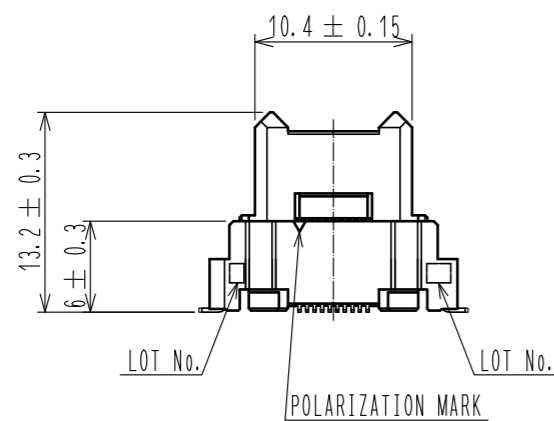
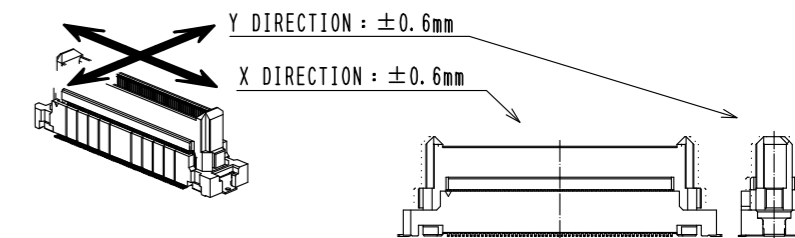
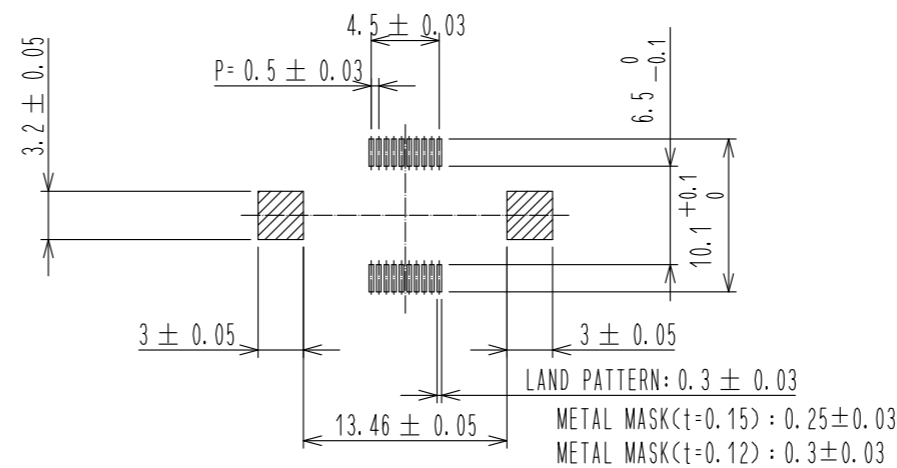
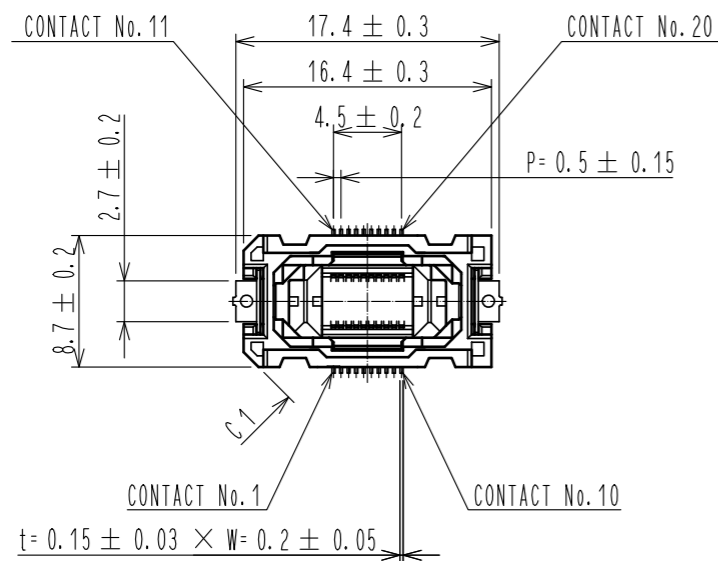


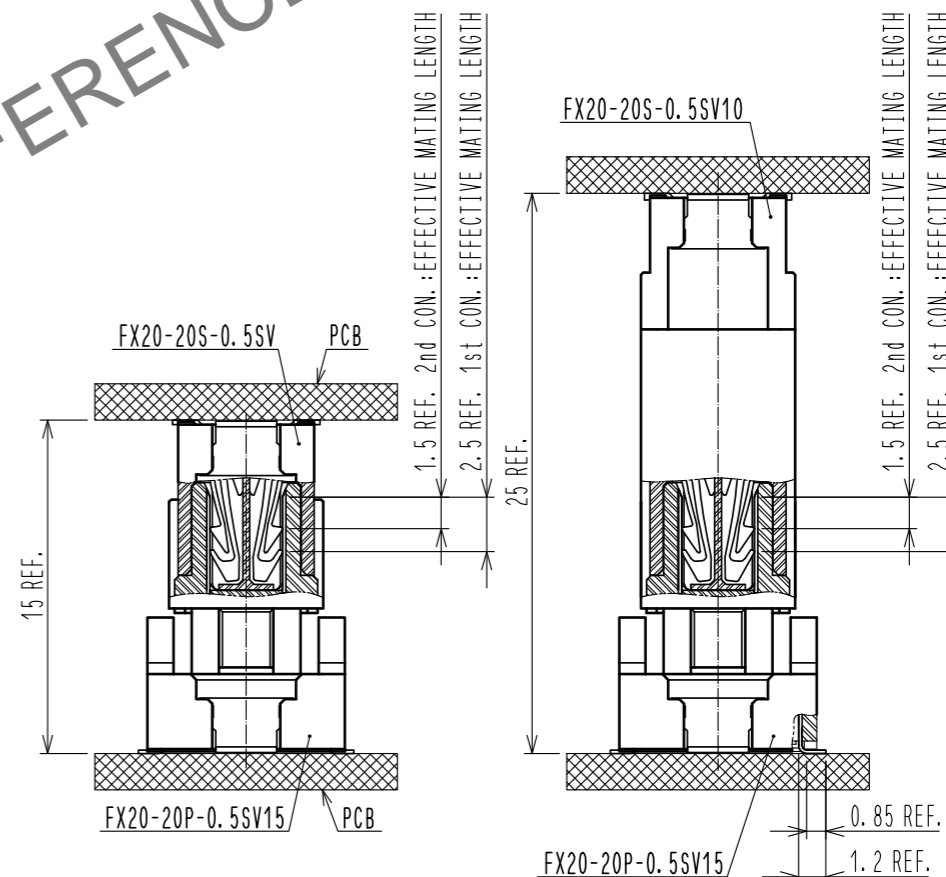
Jul.1.2024 Copyright 2024 HIROSE ELECTRIC CO., LTD. All Rights Reserved.  
 In case of consideration for using Automotive equipment / device which demand high reliability, kindly contact our sales window correspondents.

RECOMMENDED LAND PATTERN DIMENSION OF PCB

③ FLOATING RANGE



DRAWING FOR MATING: REFERENCES (FREE)

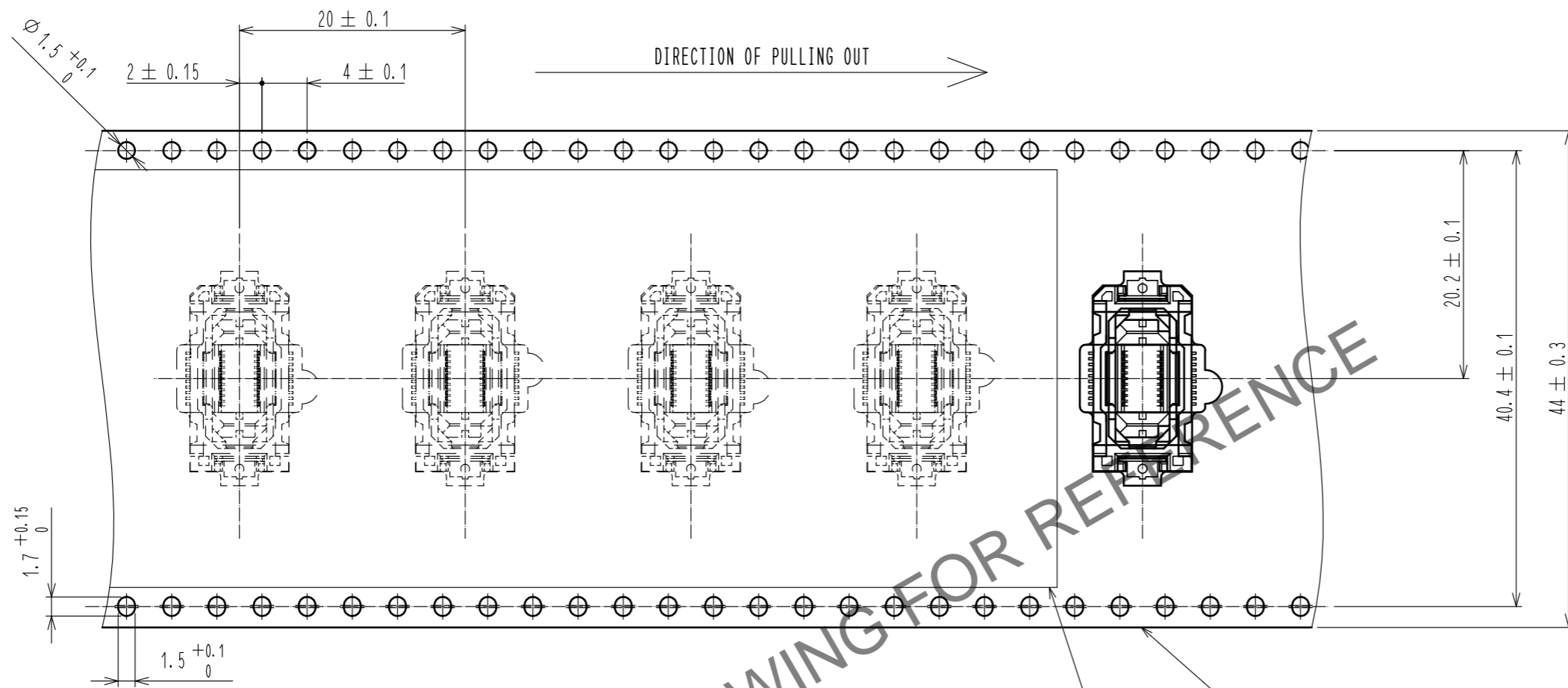


- NOTE
- 1 LEAD CO-PLANARITY IS 0.1mm MAX.
  - ② THIS IS PACKAGED IN EMBOSSED CARRIER TAPE. (260 PCS/RL)
  - ③ FLOATING RANGE OF THIS CONNECTOR IS ±0.6mm MAX.
  - 4 BLEMISH AND HIT MARK CAN BE OCCURED THROUGH OUT THE MANUFACTURING PROCESS WHICH DOESN' T AFFECT QUALITY LEVEL.
  - 5 PLEASE NOTE THAT EXCESSIVE WRENCHING FORCE COULD DAMAGE THIS CONNECTOR.  
PLEASE REFER TO THE GUIDELINE FOR DETAILED REGULATIONS OF THE MATING METHOD.

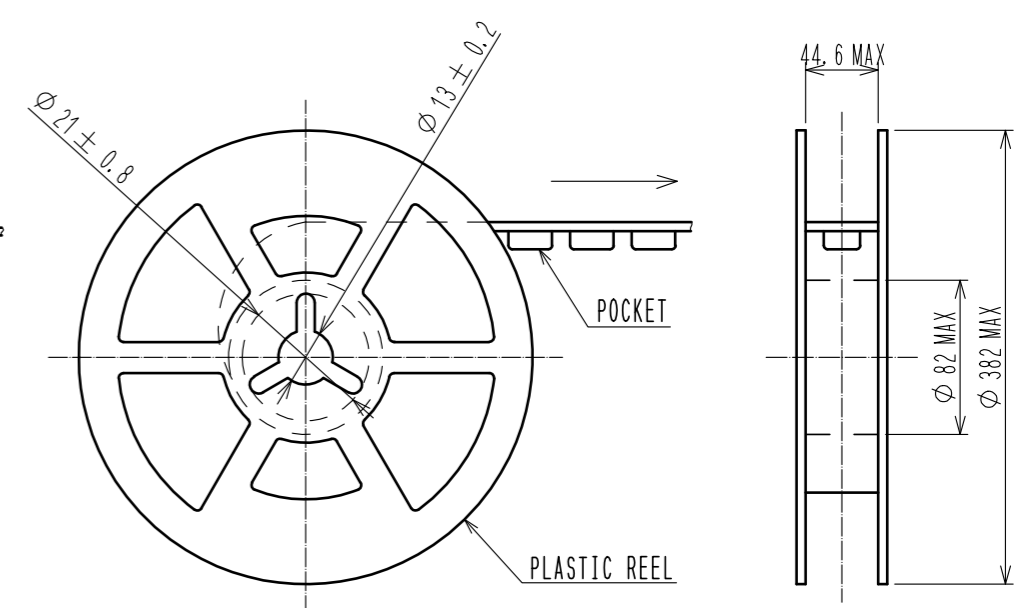
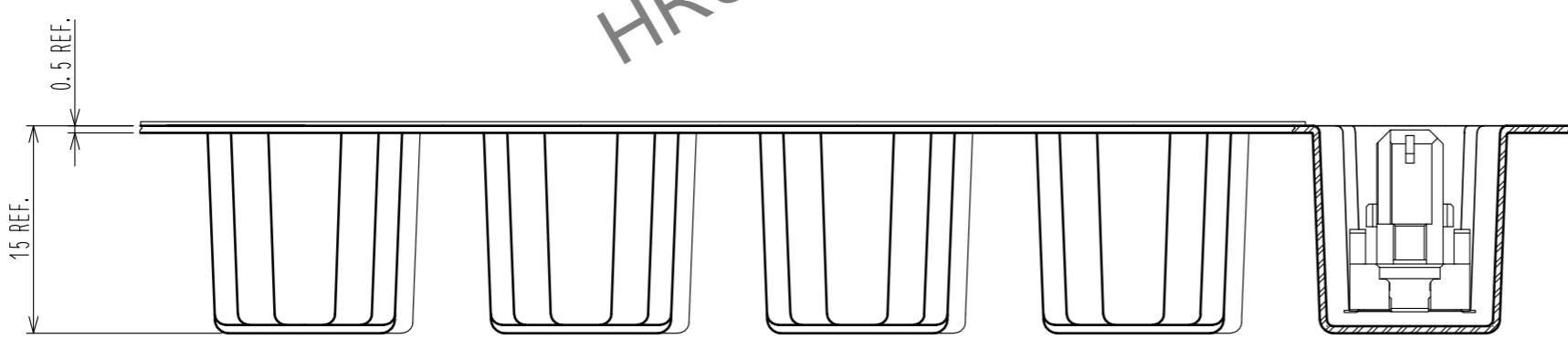
2	POLYAMIDE	BLACK, UL94V-0	3	COPPER ALLOY	CONTACT: GOLD PLATING 0.1μm MIN LEAD : GOLD PLATING 0.03μm MIN UNDER :NICKEL PLATING 1μm MIN			
1	POLYAMIDE	BLACK, UL94V-0	4	BRASS	TIN PLATING 1μm MIN			
6	POLYESTER	CLEAR	5	POLYSTYRENE	CLEAR			
UNITS mm		SCALE 2:1	COUNT	DESCRIPTION OF REVISIONS		DESIGNED	CHECKED	DATE
APPROVED : HS. OKAWA		16.01.16	DRAWING NO.		EDC-349945-20-00			
CHECKED : HT. YAMAGUCHI		16.01.16	PART NO.		FX20-20P-0.5SV15(20)			
DESIGNED : MT. ITANO		16.01.16	CODE NO.		CL570-1014-2-20			
DRAWN : MT. ITANO		16.01.16						

Jul.1.2024 Copyright 2024 HIROSE ELECTRIC CO., LTD. All Rights Reserved.  
 In case of consideration for using Automotive equipment / device which demand high reliability, kindly contact our sales window correspondents.

2 DRAWING FOR PACKING



REELING CONDITION FOR DELIVERY(FREE)



<b>HRS</b>	DRAWING NO.	EDC-349945-20-00
	PART NO.	FX20-20P-0.5SV15(20)
	CODE NO.	CL570-1014-2-20
		$\triangle$ 2/2