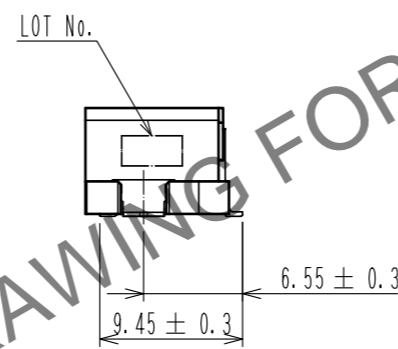
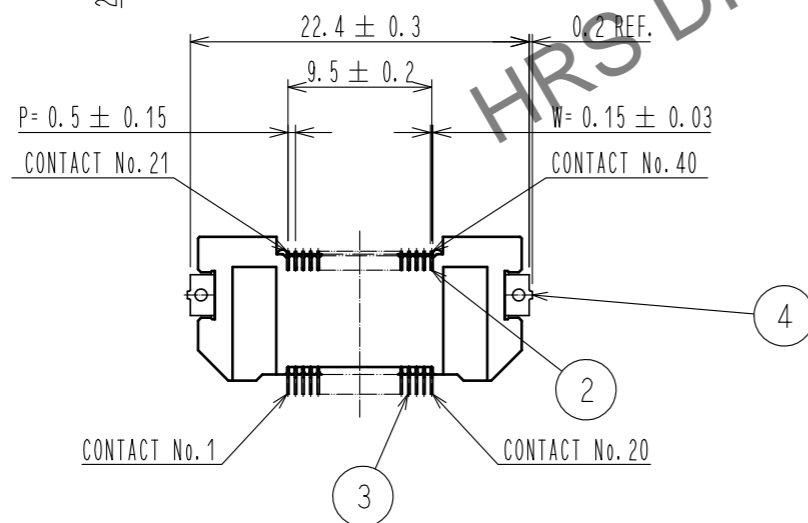
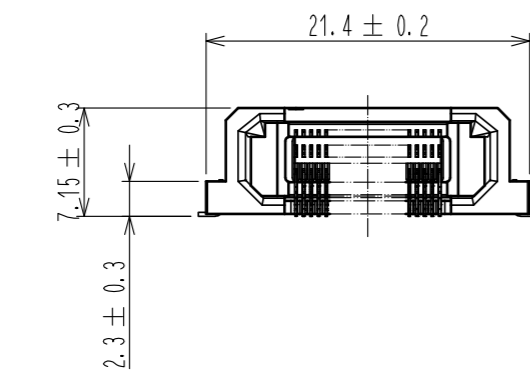
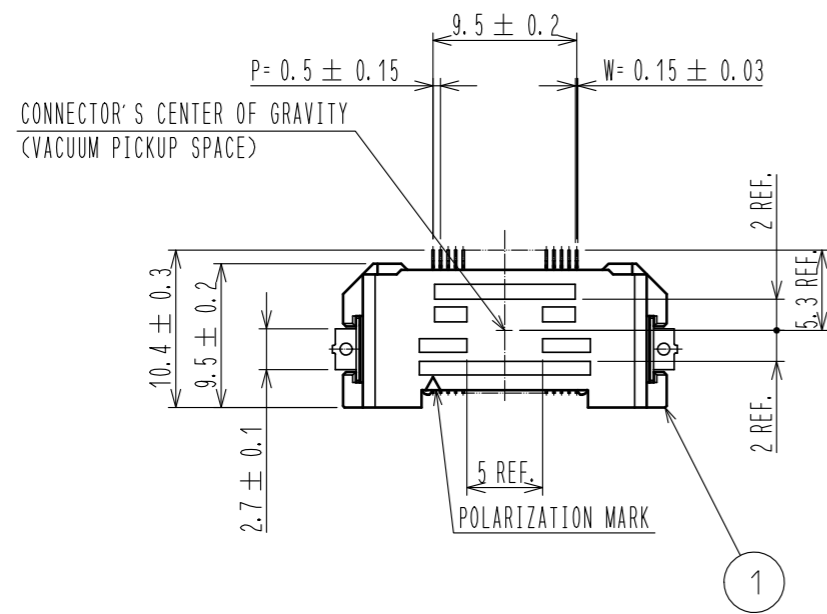
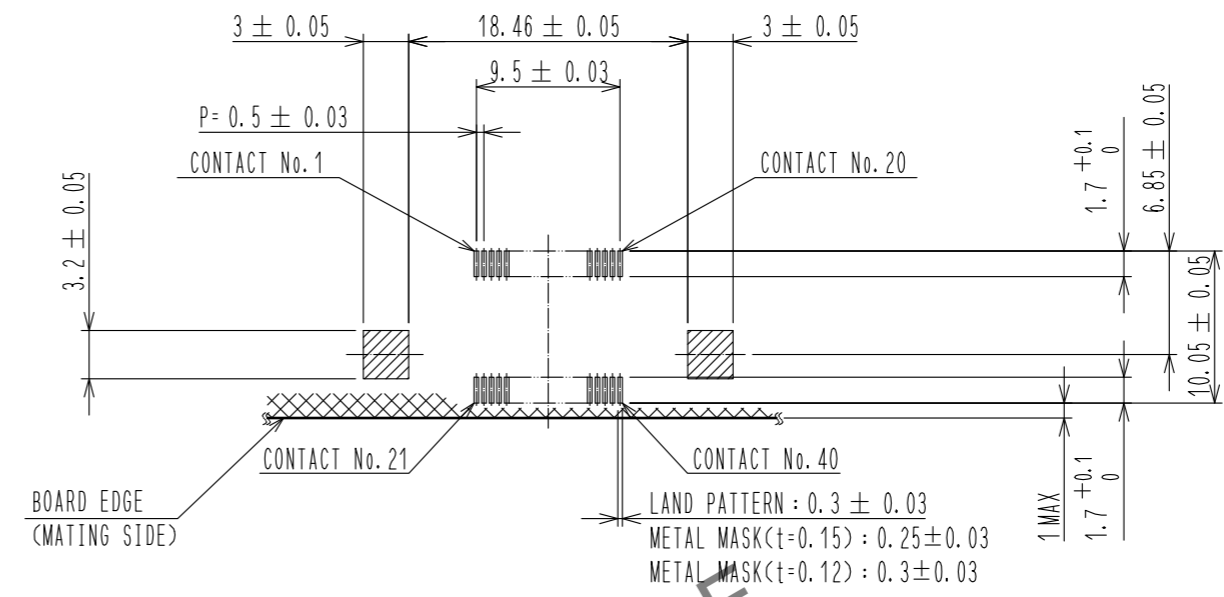


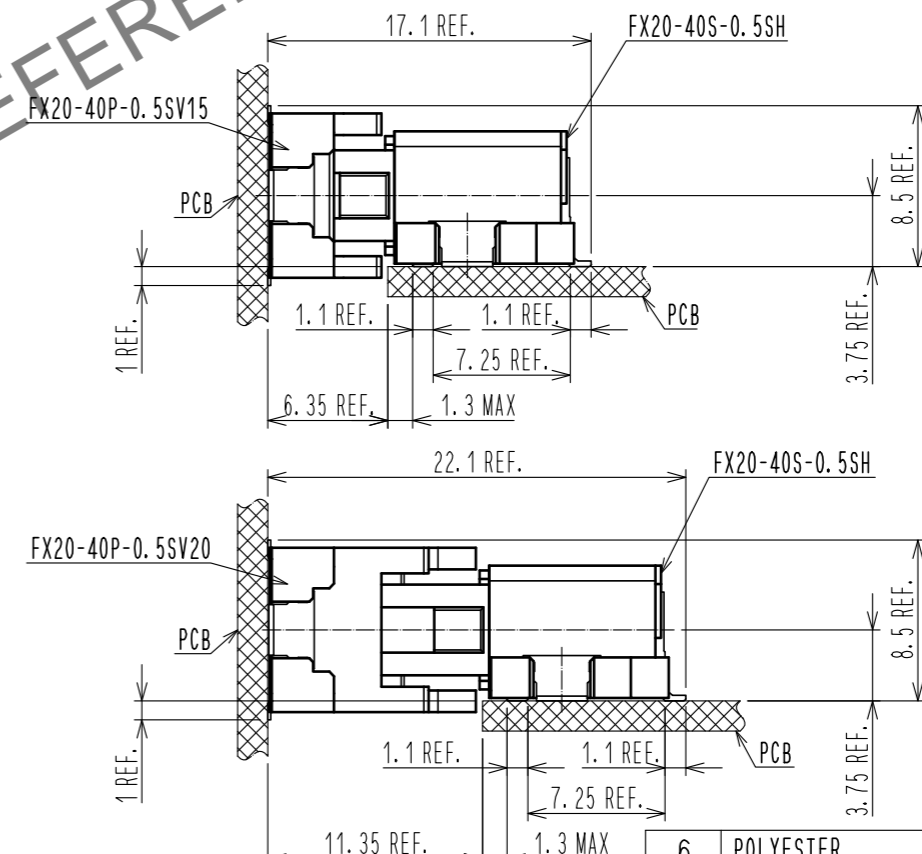
Jul.1.2024 Copyright 2024 HIROSE ELECTRIC CO., LTD. All Rights Reserved.
 In case of consideration for using Automotive equipment / device which demand high reliability, kindly contact our sales window correspondents.



5 RECOMMENDED LAND PATTERN DIMENSION OF PCB



DRAWING FOR MATING(FREE)

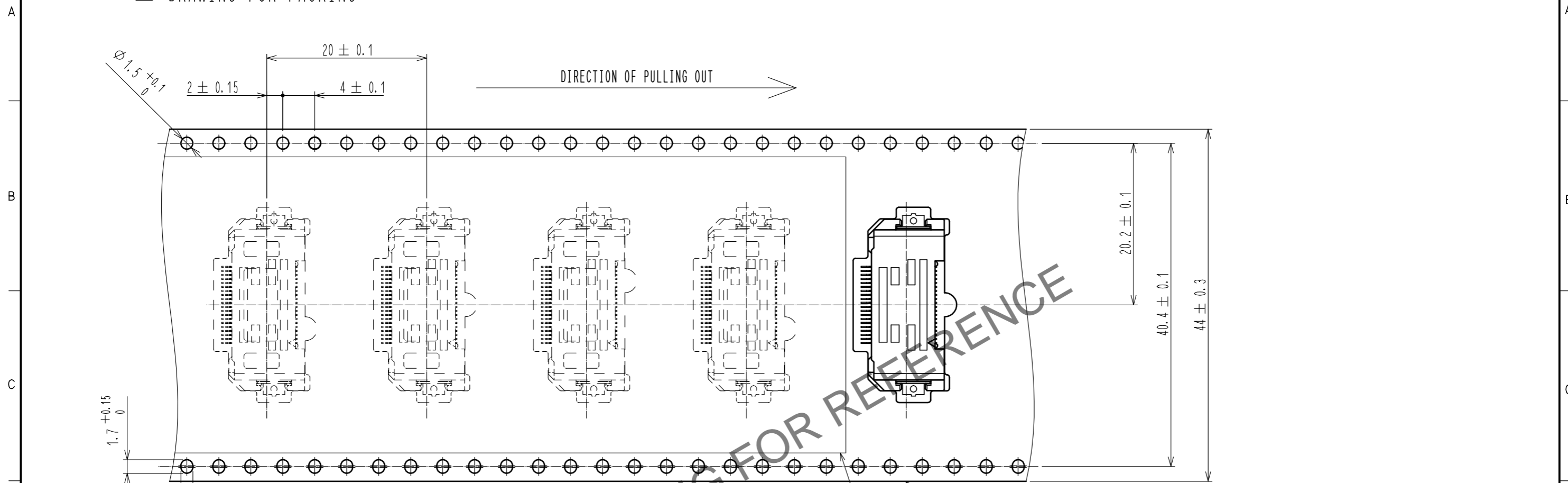


- NOTE
- 1 LEAD CO-PLANARITY IS 0.1mm MAX.
 - 2 THIS IS PACKAGED IN EMBOSSED CARRIER TAPE. (450 PCS/RL)
 - 3 BLEMISH AND HIT MARK CAN BE OCCURED THROUGH OUT THE MANUFACTURING PROCESS WHICH DOESN' T AFFECT QUALITY LEVEL.
 - 4 PLEASE NOTE THAT EXCESSIVE WRENCHING FORCE COULD DAMAGE THIS CONNECTOR. PLEASE REFER TO THE GUIDELINE FOR DETAILED REGULATIONS OF THE MATING METHOD.
 - 5 NO PROHIBITED AREA FOR PRINTING PATTERN OR VIA HOLE. PCB RESIST CAN BE PRINTED OPTIONALLY.

2	PHOSPHOR BRONZE	CONTACT: GOLD PLATING 0.1μm MIN LEAD : GOLD PLATING 0.03μm MIN UNDER :NICKEL PLATING 1μm MIN	6	POLYESTER	CLEAR		
1	LCP	BLACK, UL94V-0	5	POLYSTYRENE	CLEAR		
			4	BRASS	TIN-PLATING 1μm MIN		
			3	PHOSPHOR BRONZE	CONTACT: GOLD PLATING 0.1μm MIN LEAD : GOLD PLATING 0.03μm MIN UNDER :NICKEL PLATING 1μm MIN		
NO.	MATERIAL	FINISH . REMARKS	NO.	MATERIAL	FINISH . REMARKS		
UNITS	mm	SCALE 2:1	COUNT	DESCRIPTION OF REVISIONS	DESIGNED	CHECKED	DATE
		APPROVED : HS. OKAWA	16.01.16	DRAWING NO. EDC-348426-20-00			
		CHECKED : HT. YAMAGUCHI	16.01.16	PART NO. FX20-40S-0.5SH(20)			
		DESIGNED : MT. ITANO	16.01.16	CODE NO. CL570-1601-8-20			
		DRAWN : MT. ITANO	16.01.16				

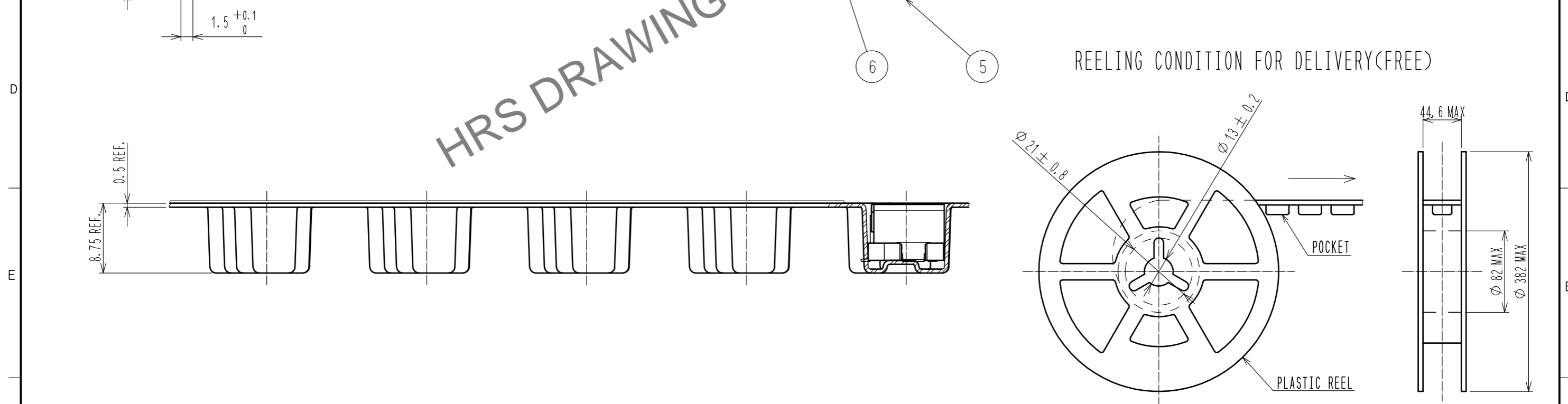
Jul.1.2024 Copyright 2024 HIROSE ELECTRIC CO., LTD. All Rights Reserved.
 In case of consideration for using Automotive equipment / device which demand high reliability, kindly contact our sales window correspondents.

2 DRAWING FOR PACKING



HRS DRAWING FOR REFERENCE

REELING CONDITION FOR DELIVERY(FREE)



HRS	DRAWING NO.	EDC-348426-20-00	2/2
	PART NO.	FX20-40S-0.5SH(20)	
	CODE NO.	CL570-1601-8-20	