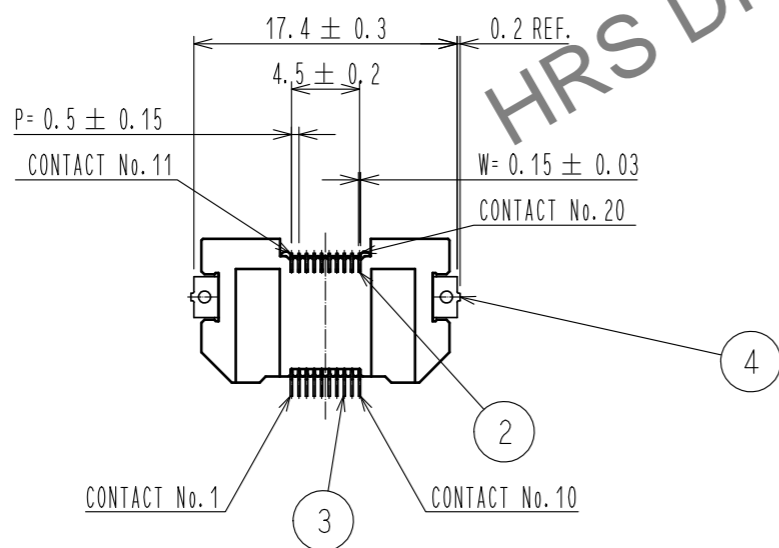
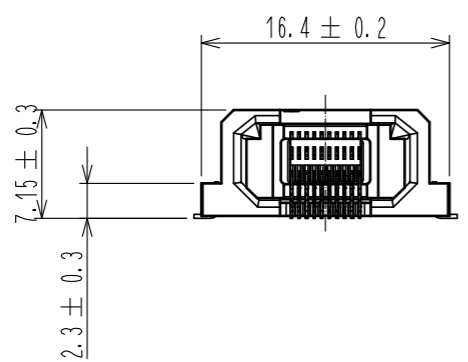
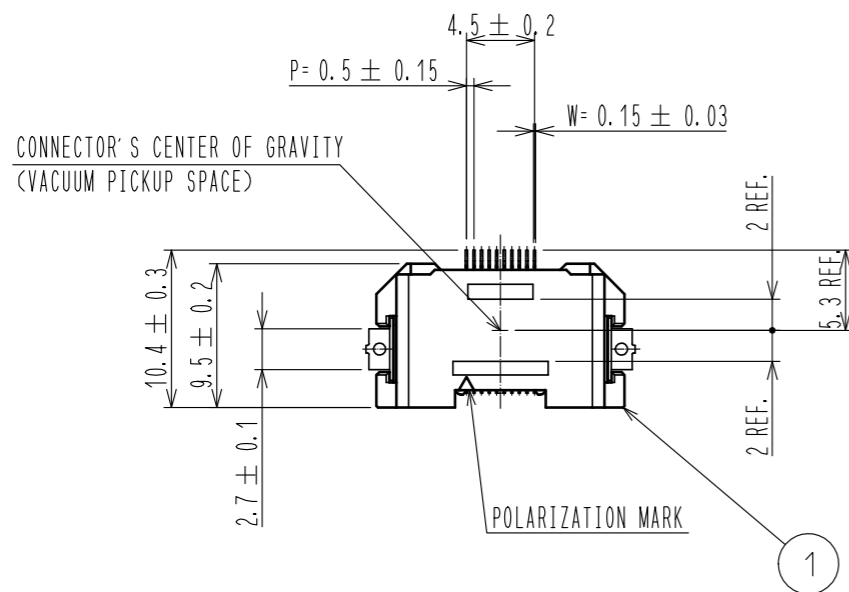
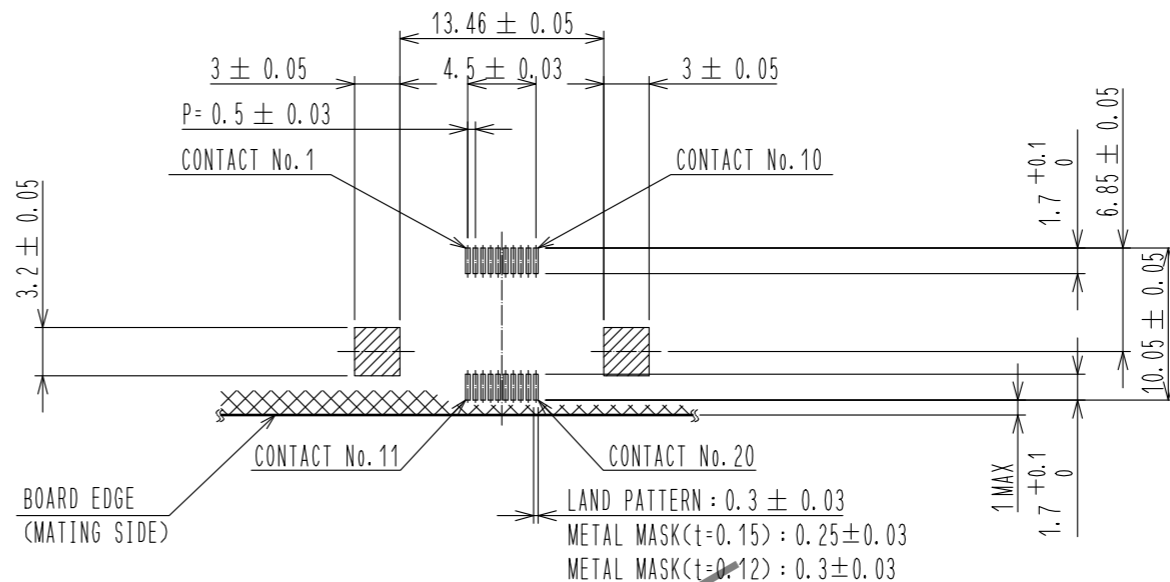


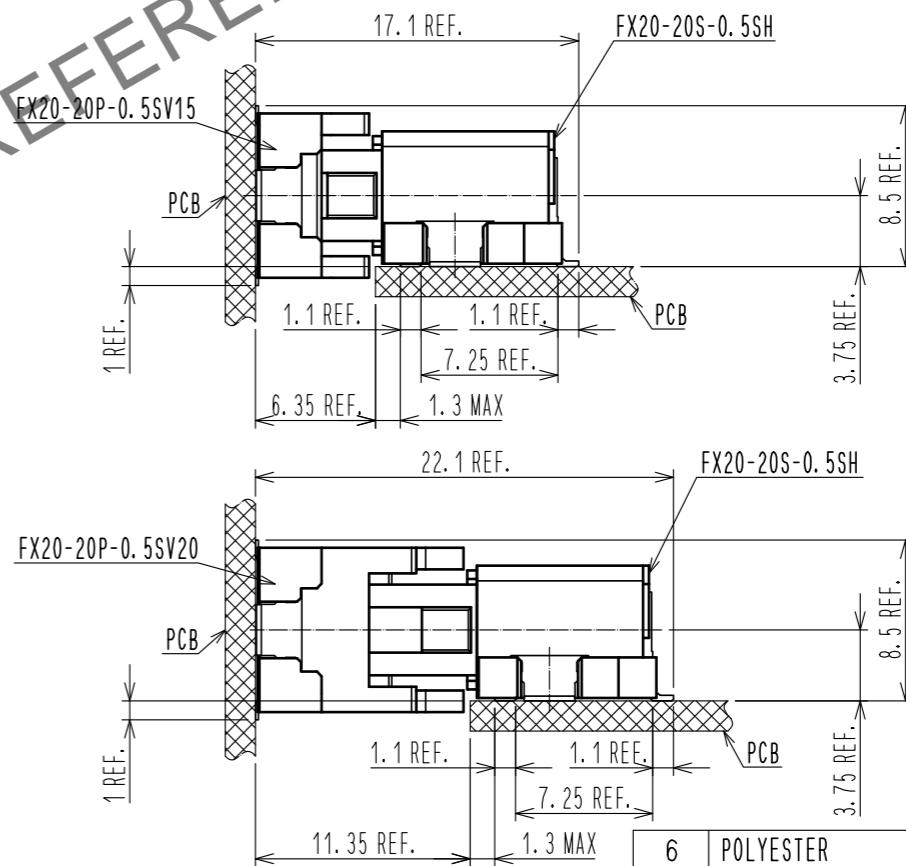
Jul.1.2024 Copyright 2024 HIROSE ELECTRIC CO., LTD. All Rights Reserved.  
 In case of consideration for using Automotive equipment / device which demand high reliability, kindly contact our sales window correspondents.



5 RECOMMENDED LAND PATTERN DIMENSION OF PCB



DRAWING FOR MATING(FREE)



- NOTE 1 LEAD CO-PLANARITY IS 0.1mm MAX.  
 2 THIS IS PACKAGED IN EMBOSSED CARRIER TAPE. (450 PCS/RL)  
 3 BLEMISH AND HIT MARK CAN BE OCCURED THROUGH OUT THE MANUFACTURING PROCESS WHICH DOESN' T AFFECT QUALITY LEVEL.  
 4 PLEASE NOTE THAT EXCESSIVE WRENCHING FORCE COULD DAMAGE THIS CONNECTOR.  
 PLEASE REFER TO THE GUIDELINE FOR DETAILED REGULATIONS OF THE MATING METHOD.  
 5 NO PROHIBITED AREA FOR PRINTING PATTERN OR VIA HOLE.  
 PCB RESIST CAN BE PRINTED OPTIONALLY.

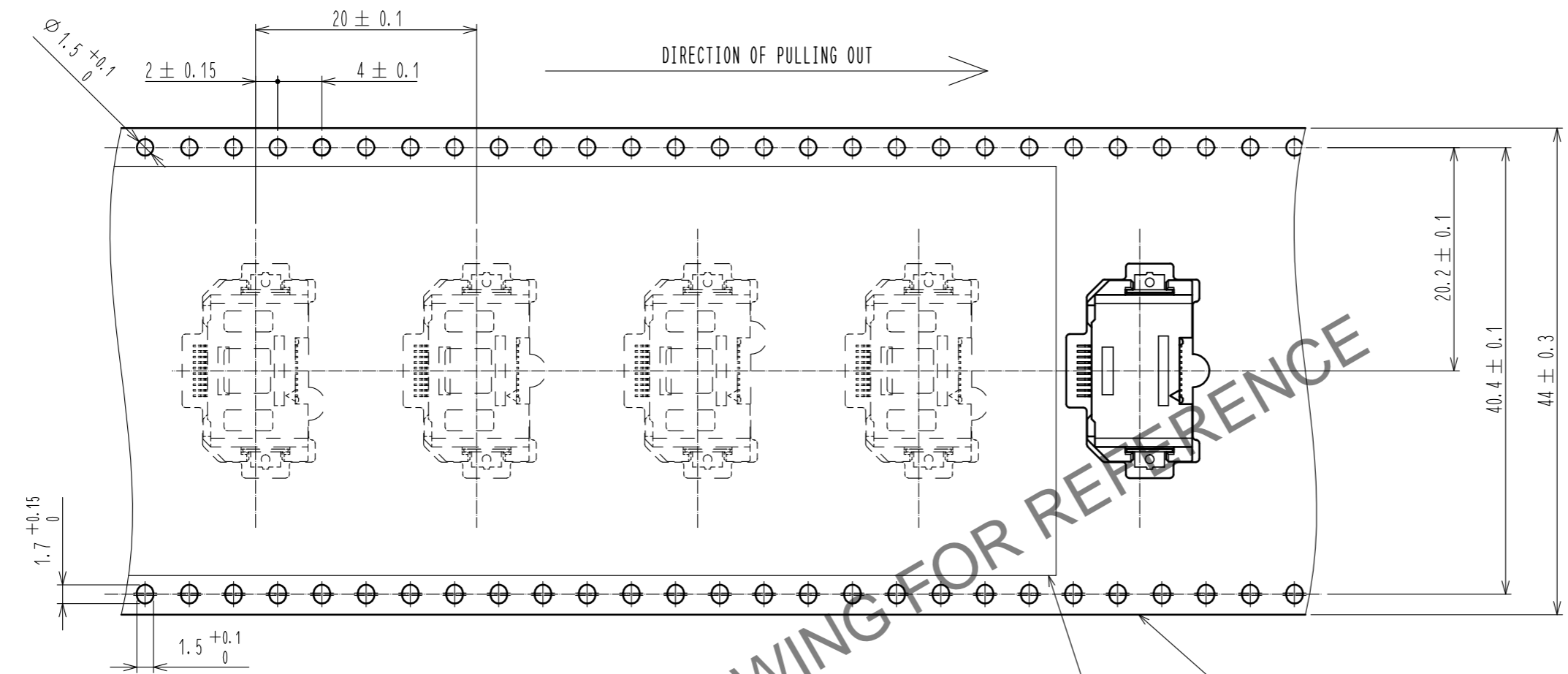
2	PHOSPHOR BRONZE	CONTACT: GOLD PLATING 0.1#m MIN LEAD : GOLD PLATING 0.03#m MIN UNDER :NICKEL PLATING 1#m MIN	6	POLYESTER	CLEAR
1	LCP	BLACK, UL94V-0	5	POLYSTYRENE	CLEAR
			4	BRASS	TIN-PLATING 1#m MIN
			3	PHOSPHOR BRONZE	CONTACT: GOLD PLATING 0.1#m MIN LEAD : GOLD PLATING 0.03#m MIN UNDER :NICKEL PLATING 1#m MIN
NO.	MATERIAL	FINISH . REMARKS	NO.	MATERIAL	FINISH . REMARKS

UNITS mm		SCALE 2:1	COUNT 	DESCRIPTION OF REVISIONS	DESIGNED	CHECKED	DATE
<b>HRS</b> HIROSE ELECTRIC CO., LTD.		APPROVED :HS. OKAWA	16.01.16	DRAWING NO.	EDC-350411-20-00		
		CHECKED :HT. YAMAGUCHI	16.01.16	PART NO.	FX20-20S-0.5SH(20)		
		DESIGNED :MT. ITANO	16.01.16	CODE NO.	CL570-1611-1-20		
		DRAWN :MT. ITANO	16.01.16				

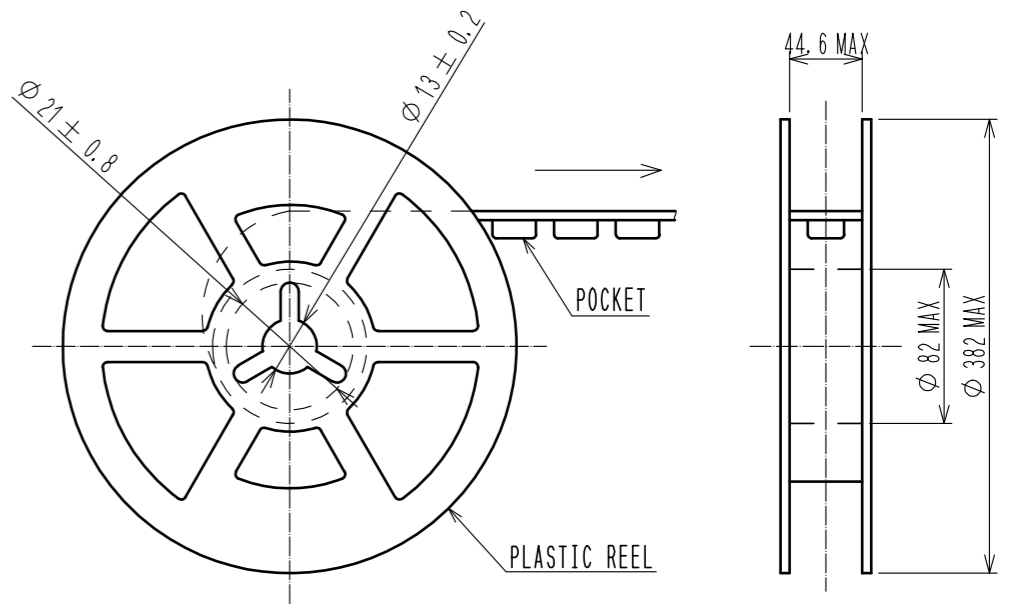
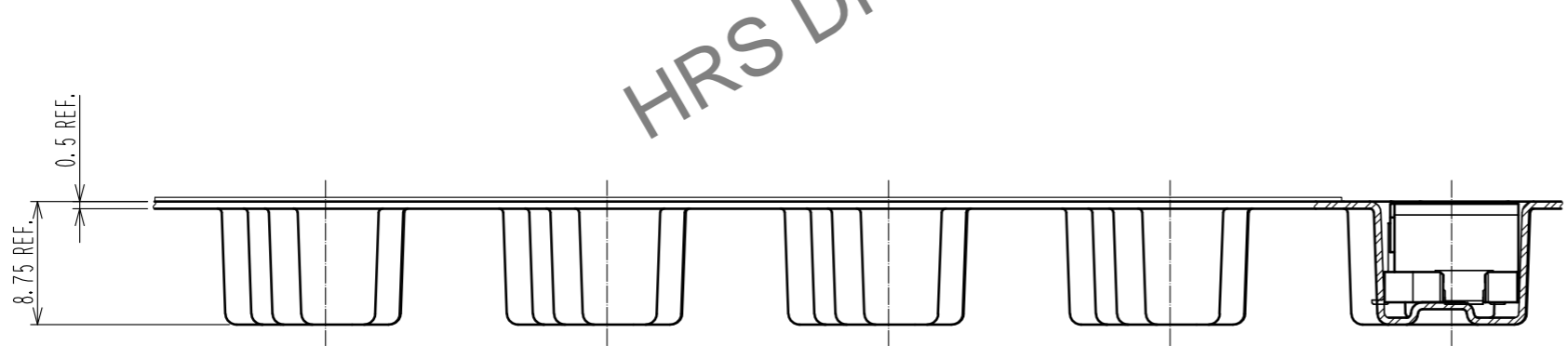
HRS DRAWING FOR REFERENCE

Jul.1.2024 Copyright 2024 HIROSE ELECTRIC CO., LTD. All Rights Reserved.  
 In case of consideration for using Automotive equipment / device which demand high reliability, kindly contact our sales window correspondents.

2 DRAWING FOR PACKING



REELING CONDITION FOR DELIVERY(FREE)



HRS DRAWING FOR REFERENCE

<b>HRS</b>	DRAWING NO.	EDC-350411-20-00
	PART NO.	FX20-20S-0.5SH(20)
	CODE NO.	CL570-1611-1-20
		2/2