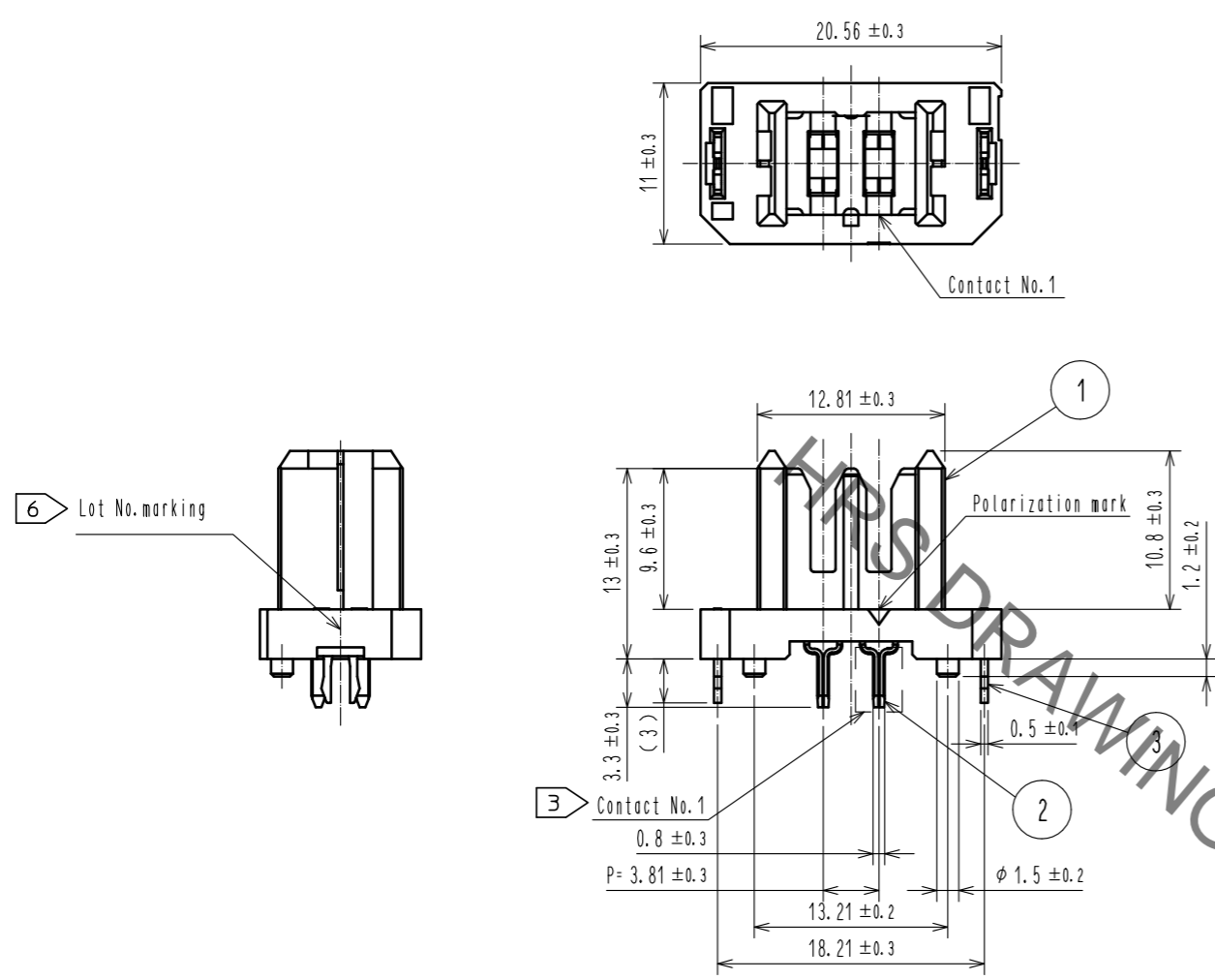
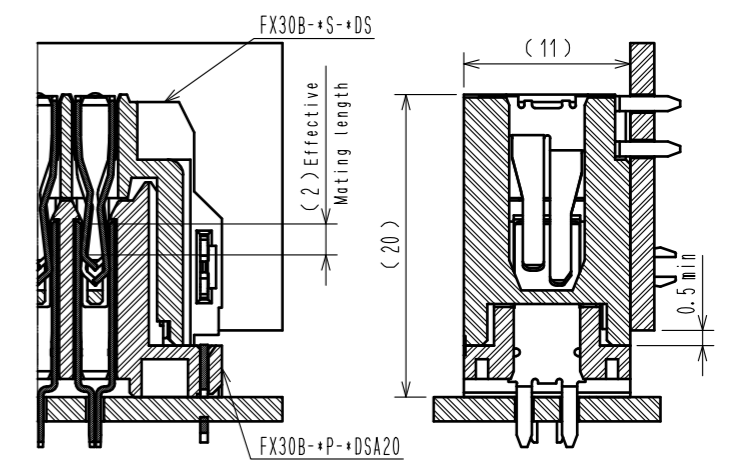


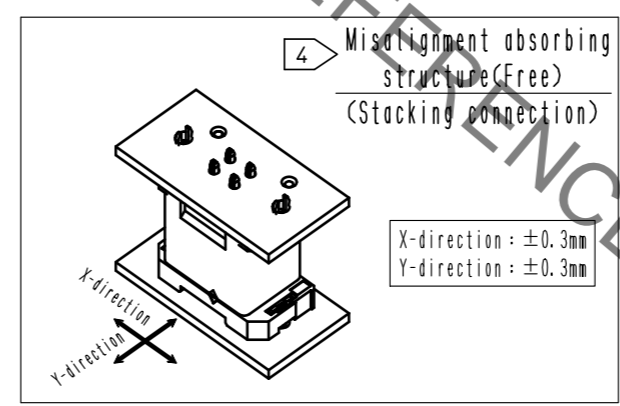
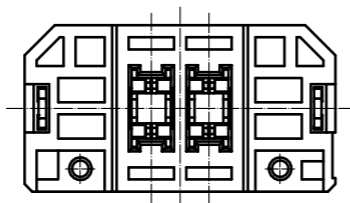
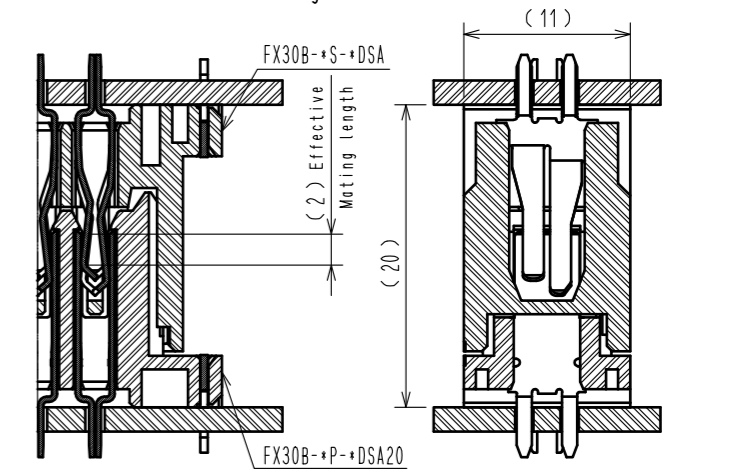
Jan.1.2022 Copyright 2022 HIROSE ELECTRIC CO., LTD. All Rights Reserved.
In case of consideration for using Automotive equipment / device which demand high reliability, kindly contact our sales window correspondents.



Cross section of mating(Free)
Vertical connection



Cross section of mating(Free)
Stacking connection



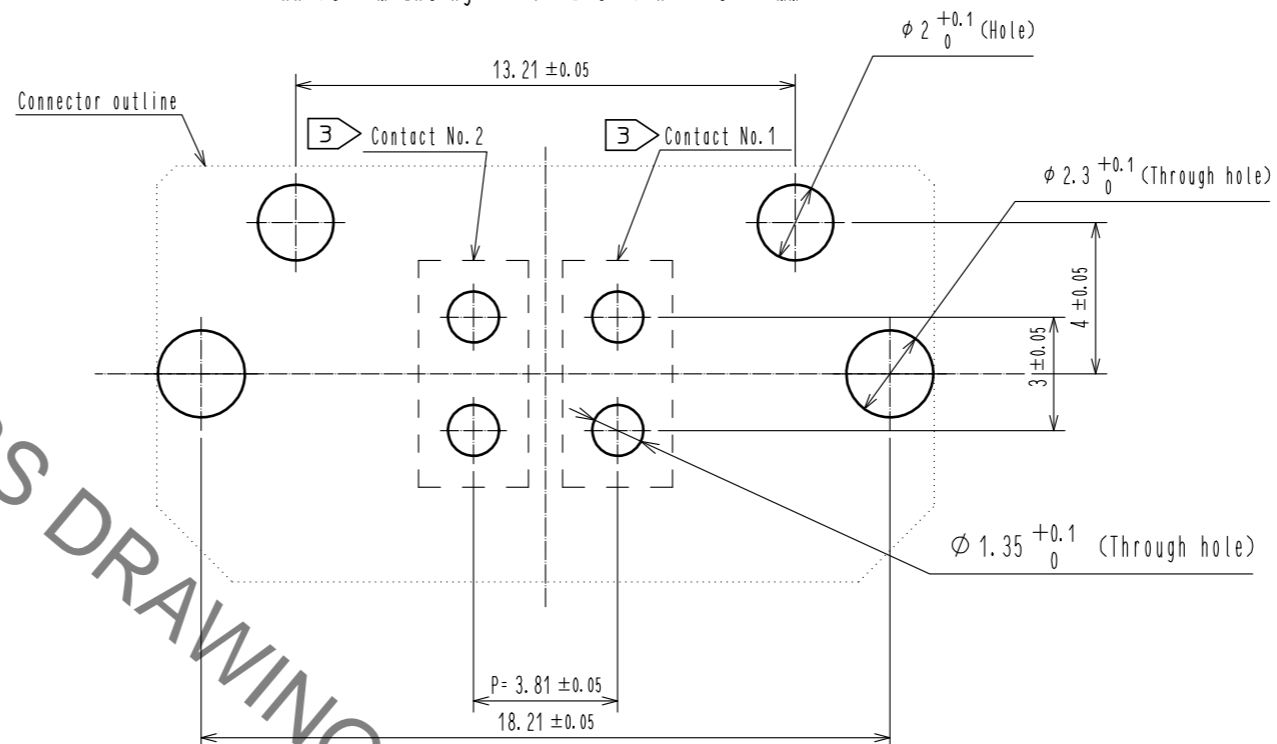
- Note
- 1 This product is packaged in tray. (49pcs/tray)
 - 2 Blemish and hit mark can be occurred through out the manufacturing process which dosen't affect quality level. Also, black spot could be observed on the surface of housing.
 - 3 For the contact No., adjacent two pairs of leads placed back-to-back (4 leads in total) compose one line.
 - 4 Misalignment absorbing range: ±0.3mm max.
 - 5 The dimension in parentheses are for references.
 - 6 Lot No. is indicated at either one of the position as shown.
 - 7 UL(File No. E52653)
C-UL(File No. E52653)
TUV(Certificate No. R50275872) authorization article.



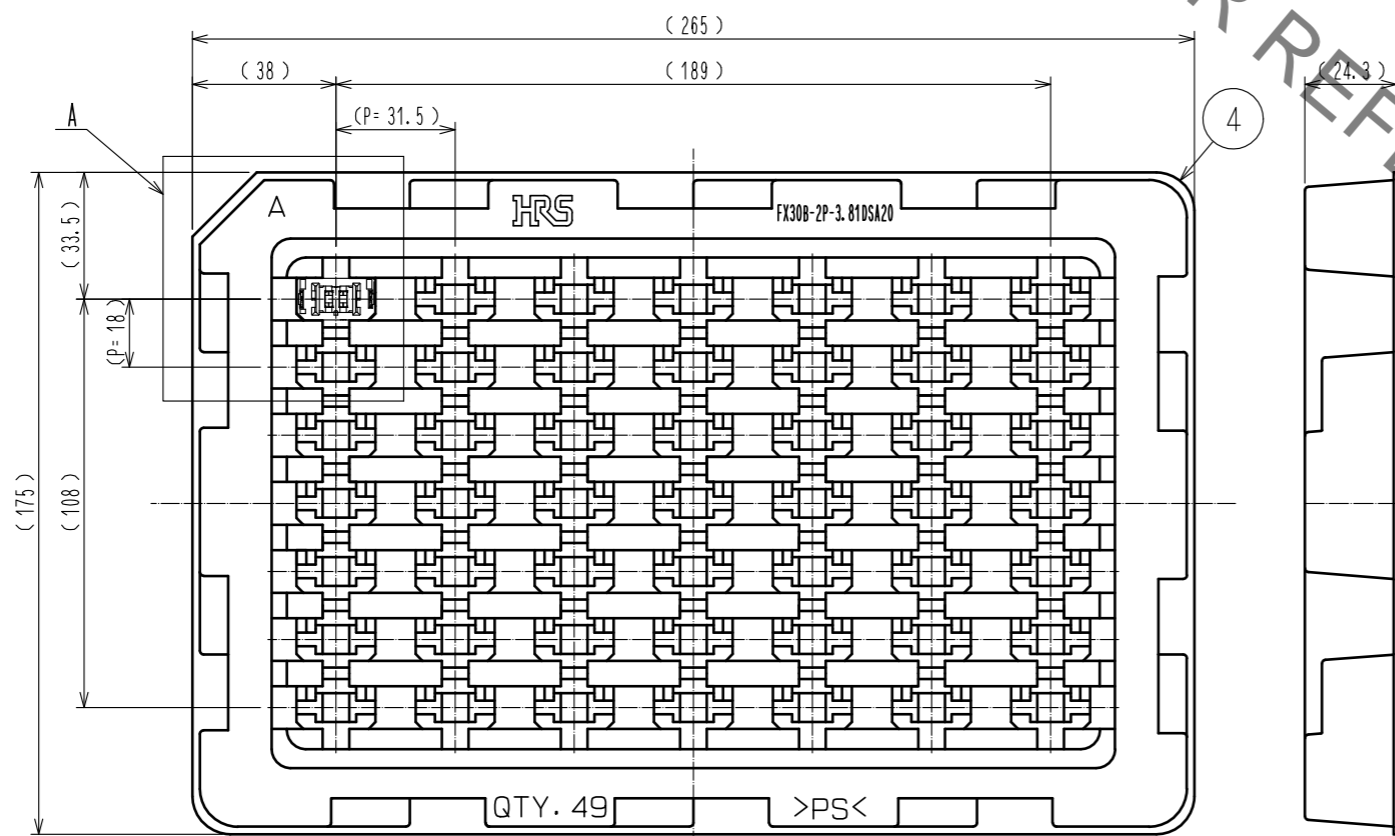
2	COPPER ALLOY	CONTACT AREA:GOLD-PLATING 0.1 μm	4	POLYSTYRENE			
		LEAD AREA:TIN-PLATING 1.0 μm					
		UNDER PLATING:NICKEL 1.0 μm	3	PHOSPHOR BRONZE	TIN-PLATING 3.0 μm		
1	POLYAMIDE	BLACK UL94V-0			UNDER PLATING:NICKEL 1.0 μm		
NO.	MATERIAL	FINISH . REMARKS	NO.	MATERIAL	FINISH . REMARKS		
UNITS mm		SCALE 2 : 1	COUNT 1	DESCRIPTION OF REVISIONS DIS-F-00006019	DESIGNED AK. IWAHORI	CHECKED HT. YAMAGUCHI	DATE 20200406
HRS HIROSE ELECTRIC CO., LTD.		APPROVED : HS. OKAWA 20130307	DRAWING NO. EDC3-347255-00				
		CHECED : KI. HIROKAWA 20130307	PART NO. FX30B-2P-3. 81DSA20				
		DESIGNED : DK. AIMOTO 20130307	CODE NO. CL570-3100-3-00				
		DRAWN : DK. AIMOTO 20130307					

Jan.1.2022 Copyright 2022 HIROSE ELECTRIC CO., LTD. All Rights Reserved.
 In case of consideration for using Automotive equipment / device which demand high reliability, kindly contact our sales window correspondents.

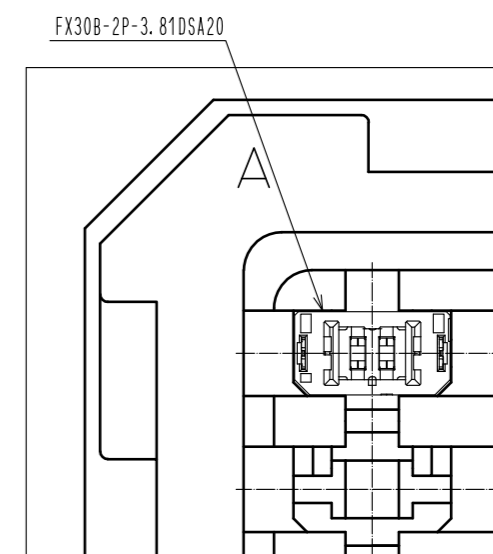
Recommended hole pattern dimension of PCB(5:1)
 (Connector mounting side, PCB thickness:t=1.6mm)



1 Drawing for packaging(1:2)



A(1:1)



HRS	DRAWING NO.	EDC3-347255-00	3/2
	PART NO.	FX30B-2P-3.81DSA20	
	CODE NO.	CL570-3100-3-00	