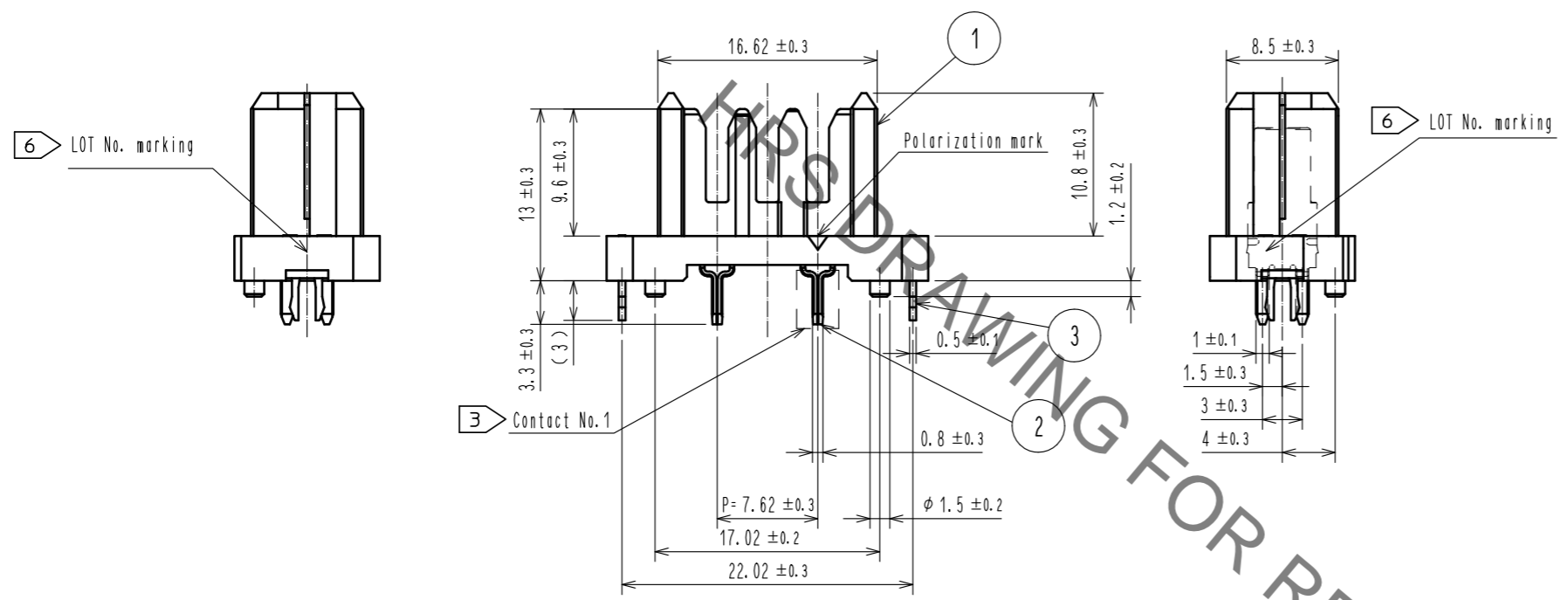
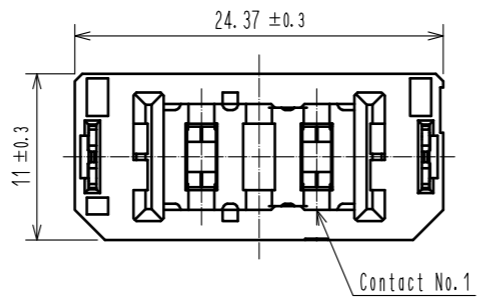
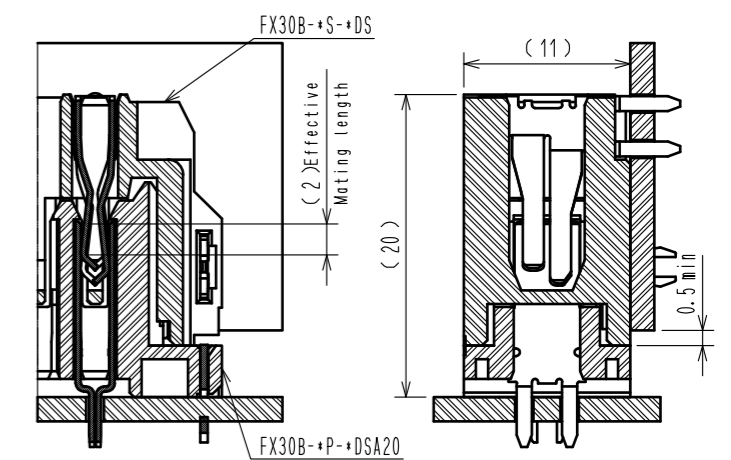


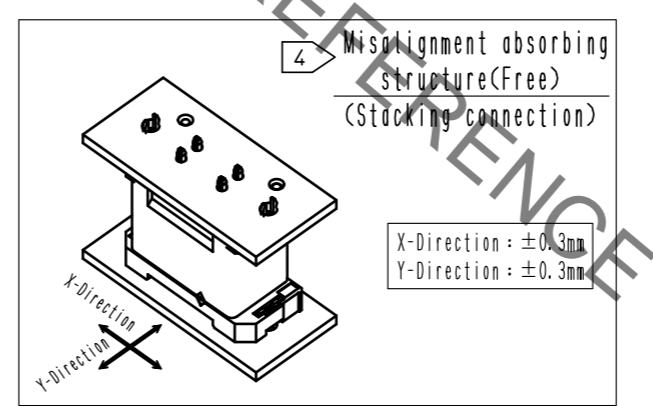
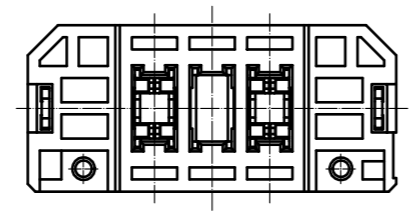
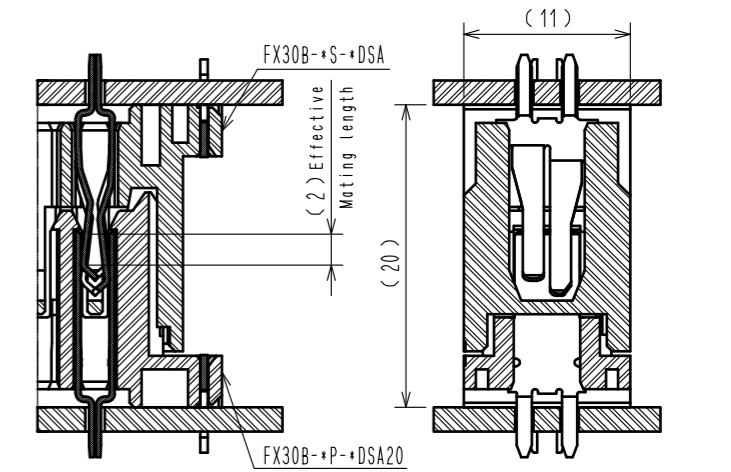
Dec.1.2021 Copyright 2021 HIROSE ELECTRIC CO., LTD. All Rights Reserved.  
 In case of consideration for using Automotive equipment / device which demand high reliability, kindly contact our sales window correspondents.



Cross section of mating(Free)  
Vertical connection



Cross section of mating(Free)  
Stacking connection



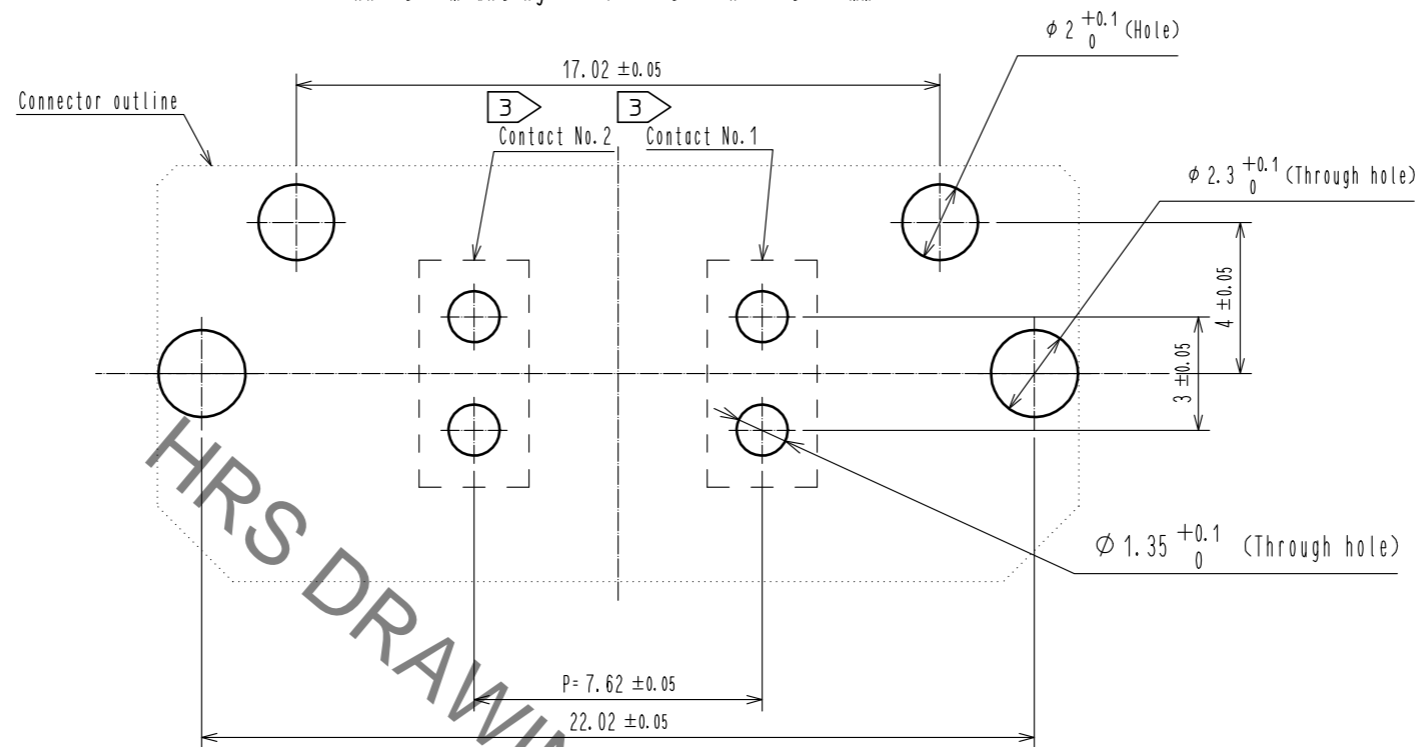
- NOTE
- ① This product is packaged in tray. (42pcs/tray)
  - ② Blemish and hit mark can be occurred through out the manufacturing process which doesn't affect quality level. Also, black spot could be observed on the surface of housing.
  - ③ For the contact NO., adjacent two pairs of leads placed back-to-back (4 leads in total) Compose one line.
  - ④ Misalignment absorbing range: ±0.3mm max.
  - ⑤ The dimension in parentheses are for references.
  - ⑥ Lot NO. is indicated at either one of the position as shown.
  - ⚠ ⑦ UL (File No. E52653)  
C-UL (File No. E52653)  
TUV (Certificate No. R50275872) authorization article.



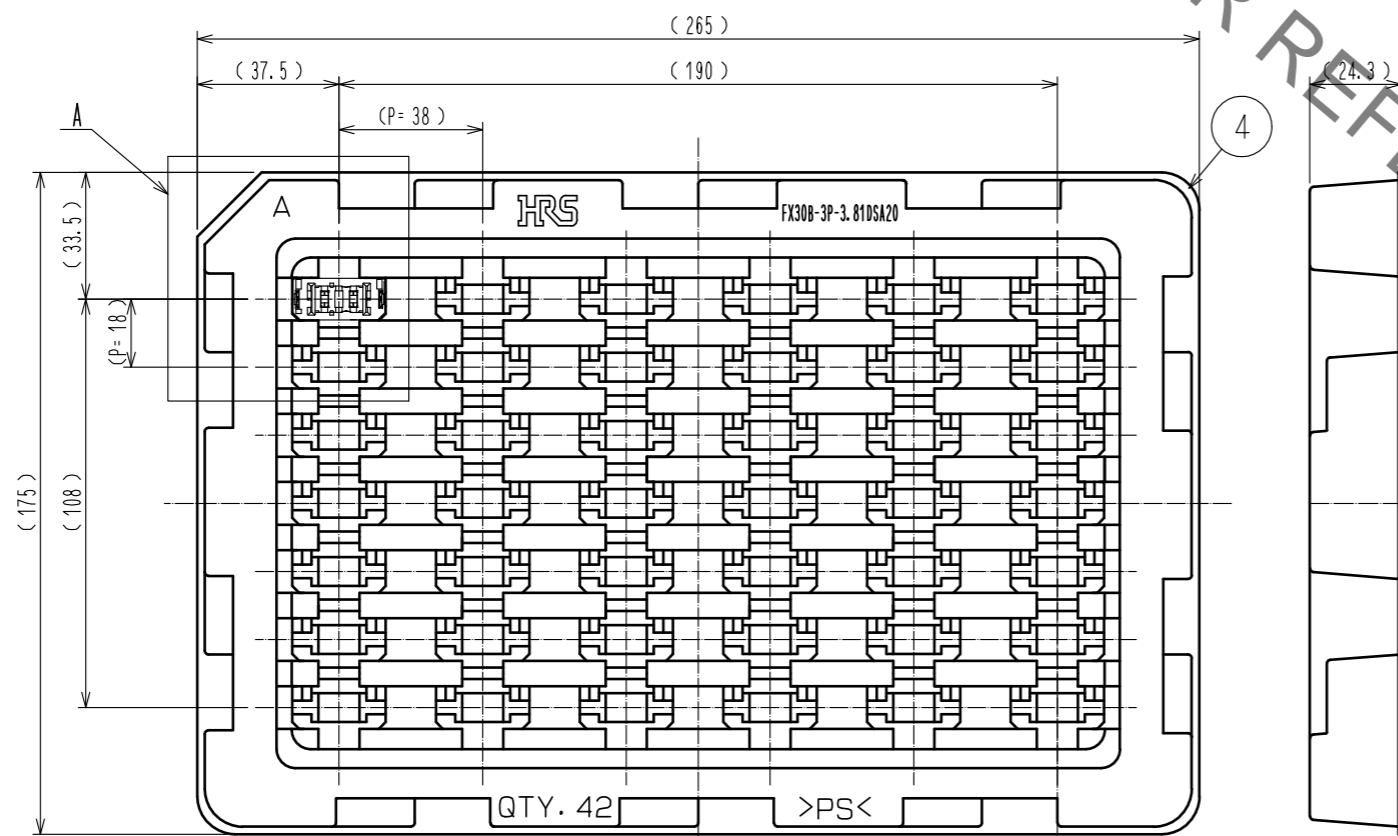
2	Copper alloy	Contact area: Gold-plating 0.1 μm Lead area: Tin-plating 1.0 μm Under plating: Nickel 1.0 μm	4	Polystyrene	Tin-plating 3.0 μm		
1	Polyamide	Black UL94V-0	3	Phosphor bronze	Under plating: Nickel 1.0 μm		
NO.	MATERIAL	FINISH . REMARKS	NO.	MATERIAL	FINISH . REMARKS		
UNITS mm		SCALE 2 : 1	COUNT 1	DESCRIPTION OF REVISIONS DIS-F-00006019	DESIGNED AK. IWAHORI	CHECKED HT. YAMAGUCHI	DATE 20200406
<b>HRS</b> HIROSE ELECTRIC CO., LTD.		APPROVED : HS. OKAWA 20140912	DRAWING NO. EDC3-350409-00				
		CHECED : KN. SHIBUYA 20140912	PART NO. FX30B-2P-7.62DSA20				
		DESIGNED : DK. AIMOTO 20140912	CODE NO. CL570-3104-4-00				
		DRAWN : DK. AIMOTO 20140912					

Dec.1.2021 Copyright 2021 HIROSE ELECTRIC CO., LTD. All Rights Reserved.  
In case of consideration for using Automotive equipment / device which demand high reliability, kindly contact our sales window correspondents.

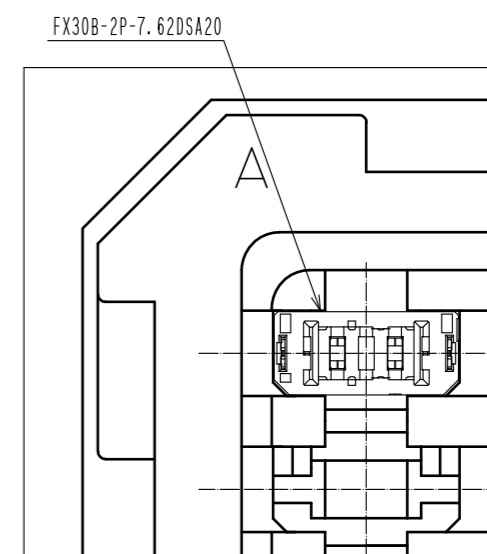
Recommended hole pattern dimension of PCB(5:1)  
(Connector mounting side, PCB thickness:t=1.6mm)



1 Drawing for packaging(1:2)



A(1:1)



<b>HRS</b>	DRAWING NO.	EDC3-350409-00
	PART NO.	FX30B-2P-7.62DSA20
	CODE NO.	CL570-3104-4-00
		2/2