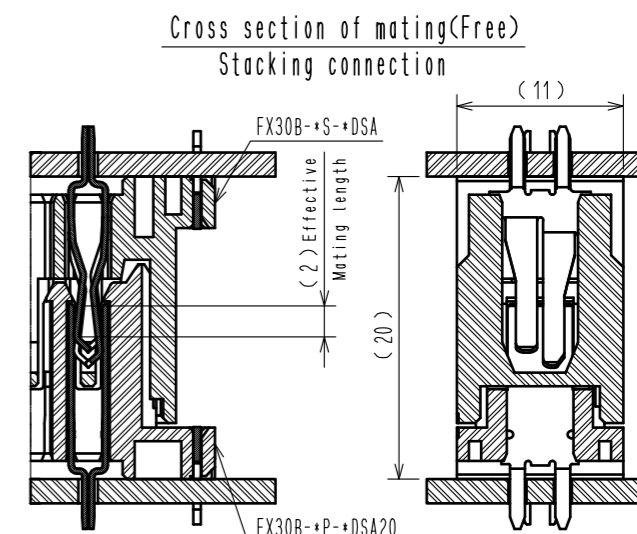
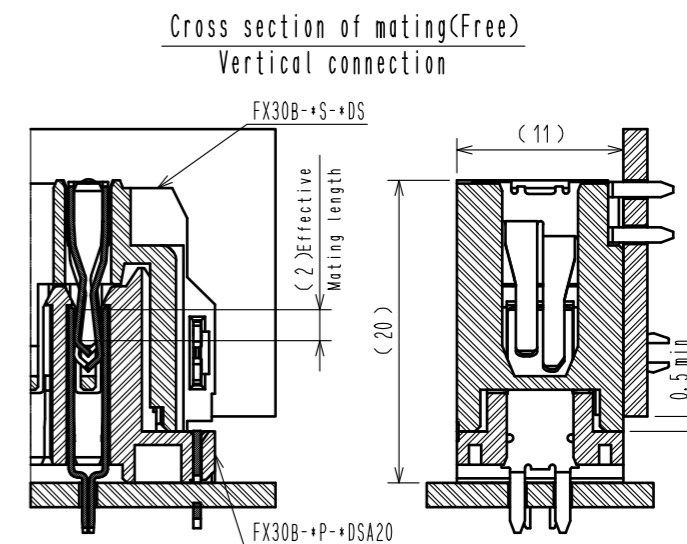
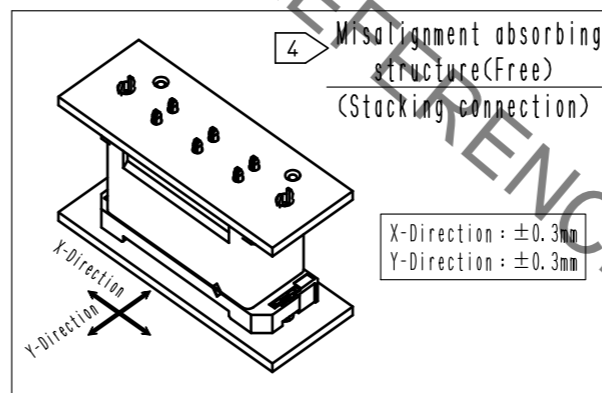
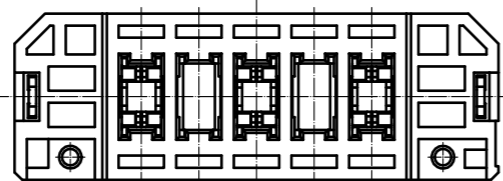
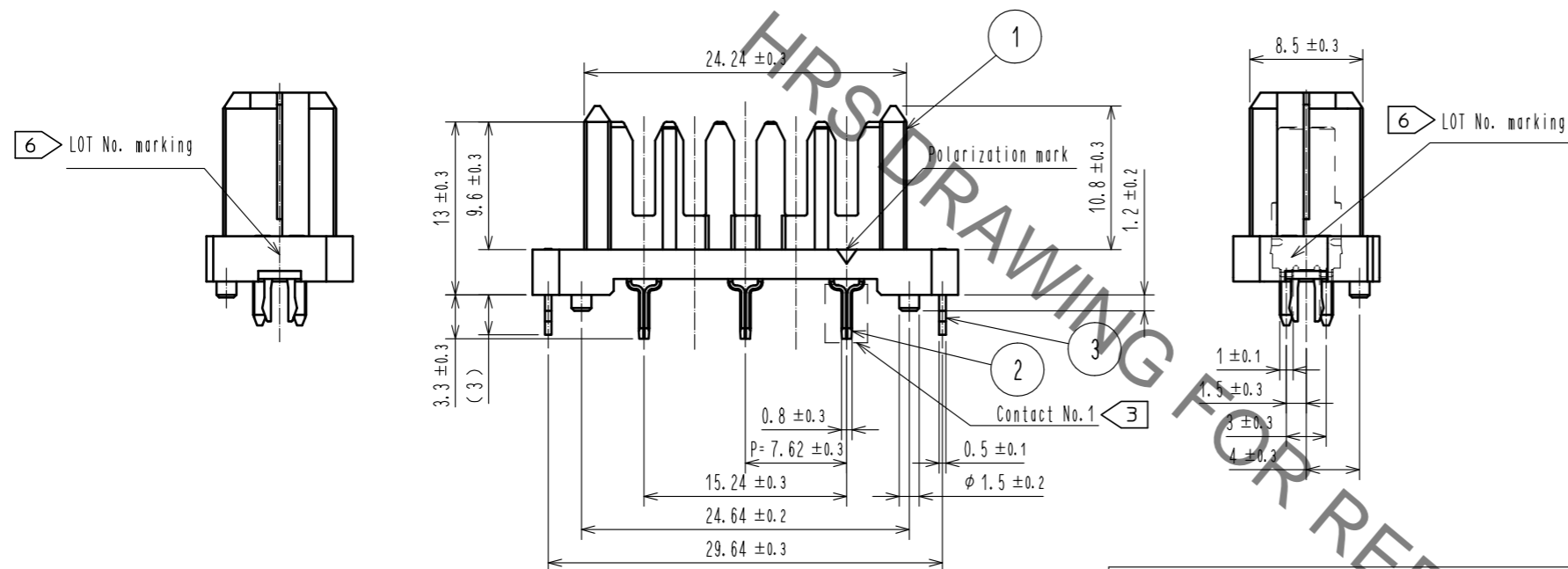
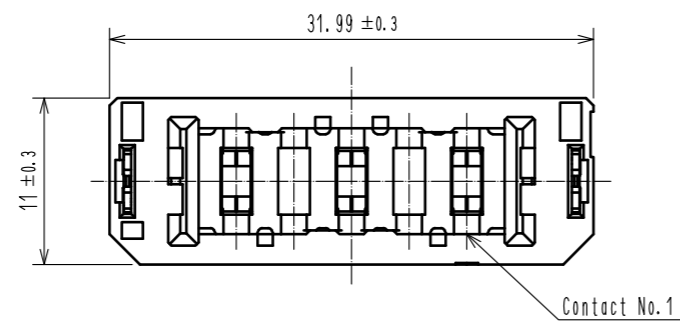


Jan.1.2022 Copyright 2022 HIROSE ELECTRIC CO., LTD. All Rights Reserved.
 In case of consideration for using Automotive equipment / device which demand high reliability, kindly contact our sales window correspondents.



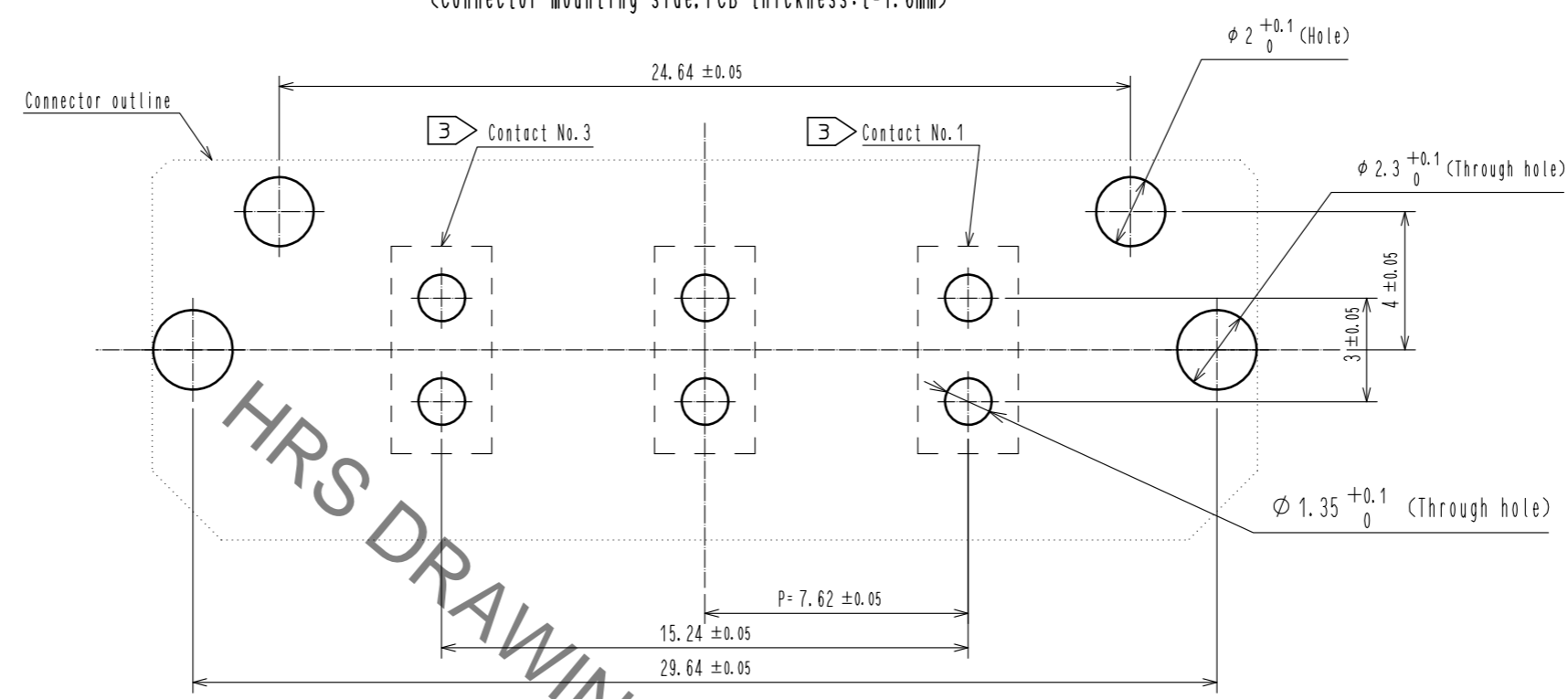
- Note
- ① This product is packaged in tray. (35pcs/tray)
 - ② Blemish and hit mark can be occurred through out the manufacturing process which doesn't affect quality level. Also, black spot could be observed on the surface of housing.
 - ③ For the contact NO., adjacent two pairs of leads placed back-to-back (4 leads in total) Compose one line.
 - ④ Misalignment absorbing range: ± 0.3mm max.
 - ⑤ The dimension in parentheses are for references.
 - ⑥ Lot NO. is indicated at either one of the position as shown.
 - ⑦ UL (File No. E52653)
 C-UL (File No. E52653)
 TÜV (Certificate No. R50275872) authorization article.



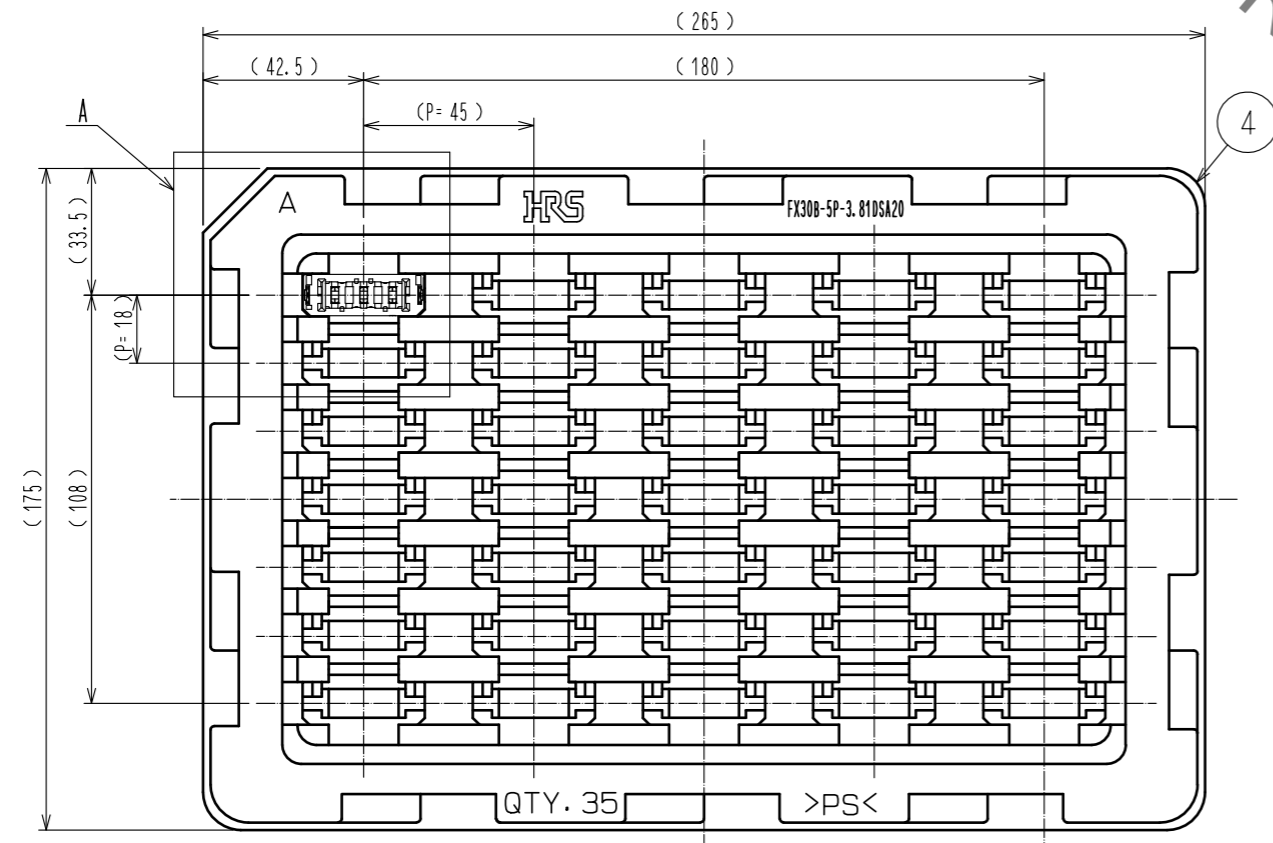
2	Copper alloy	Contact area: Gold-plating 0.1 μm	4	Polystyrene	Tin-plating 3.0 μm		
		Lead area: Tin-plating 1.0 μm			3	Phosphor bronze	Under plating: Nickel 1.0 μm
		Under plating: Nickel 1.0 μm					Black UL94V-0
1	Polyamide	Black UL94V-0					
NO.	MATERIAL	FINISH . REMARKS	NO.	MATERIAL	FINISH . REMARKS		
UNITS mm		SCALE 2 : 1	COUNT 1	DESCRIPTION OF REVISIONS DIS-F-00006019			
APPROVED : HS. OKAWA		20140912	DRAWING NO. EDC3-359157-00				
CHECKED : KN. SHIBUYA		20140912	PART NO. FX30B-3P-7.62DSA20				
DESIGNED : DK. AIMOTO		20140912	CODE NO. CL570-3105-7-00				
DRAWN : DK. AIMOTO		20140912					
HIROSE ELECTRIC CO., LTD.				DESIGNED : AK. IWAHORI CHECKED : HT. YAMAGUCHI DATE : 20200406			

Jan.1.2022 Copyright 2022 HIROSE ELECTRIC CO., LTD. All Rights Reserved.
 In case of consideration for using Automotive equipment / device which demand high reliability, kindly contact our sales window correspondents.

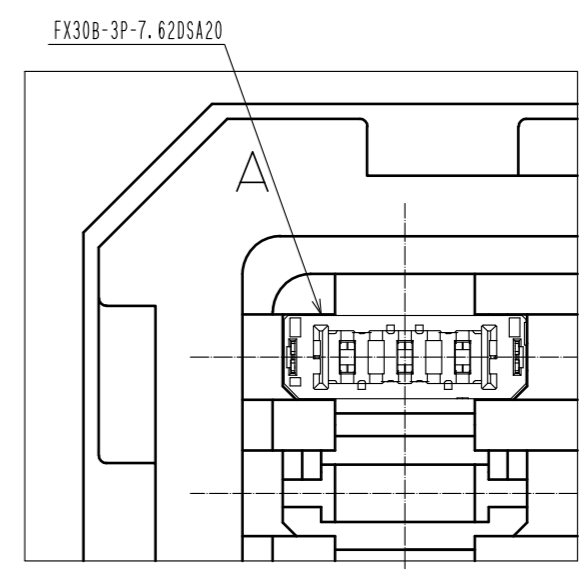
Recommended hole pattern dimension of PCB(5:1)
 (Connector mounting side, PCB thickness:t=1.6mm)



1 Drawing for packaging(1:2)



A(1:1)



HRS	DRAWING NO.	EDC3-359157-00
	PART NO.	FX30B-3P-7.62DSA20
	CODE NO.	CL570-3105-7-00
		2/2