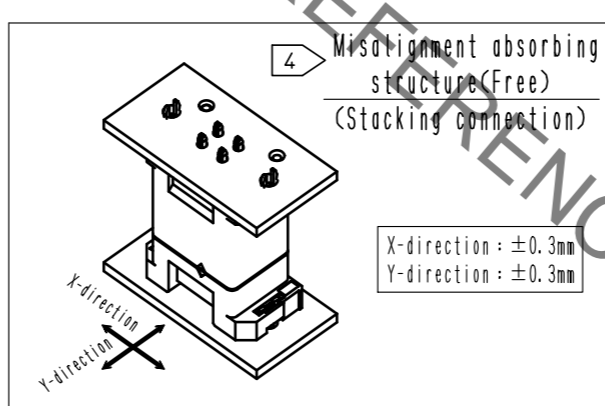
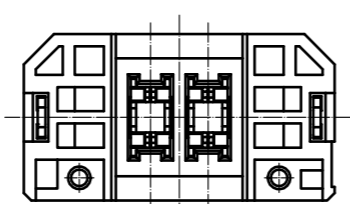
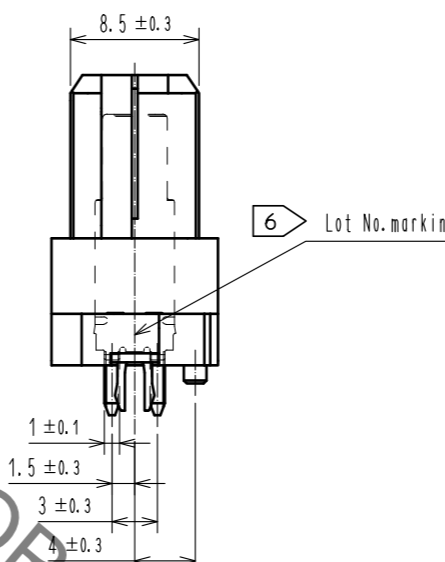
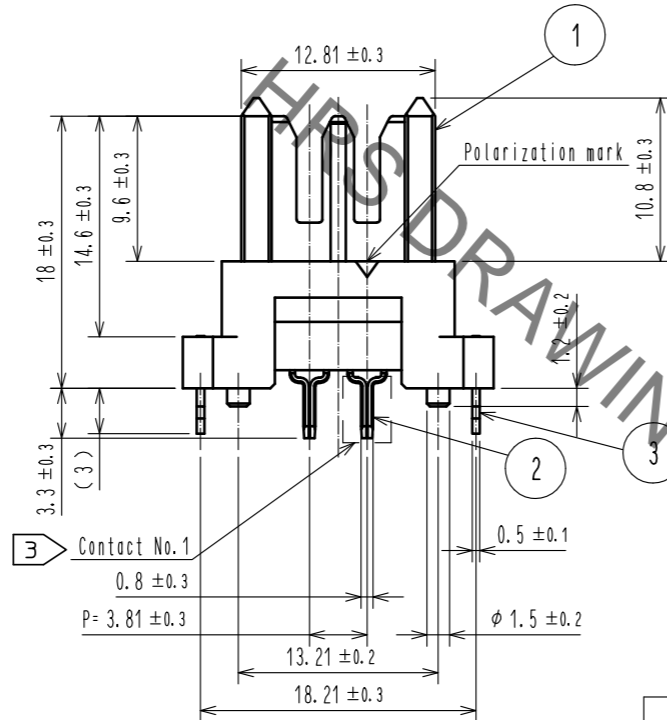
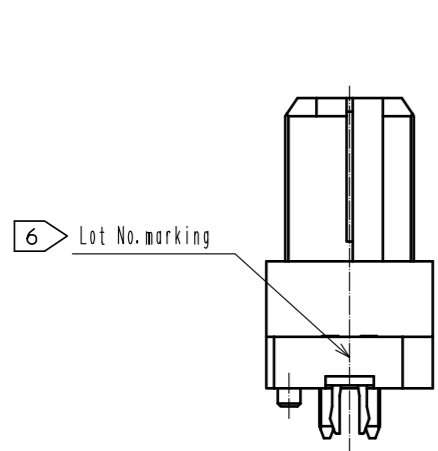
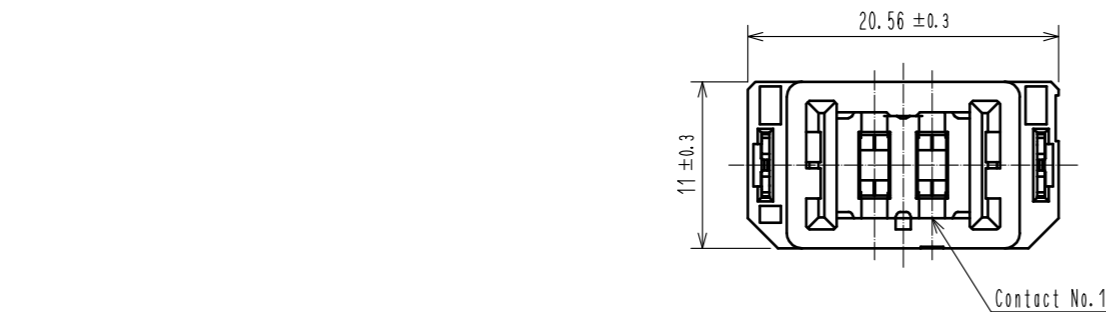
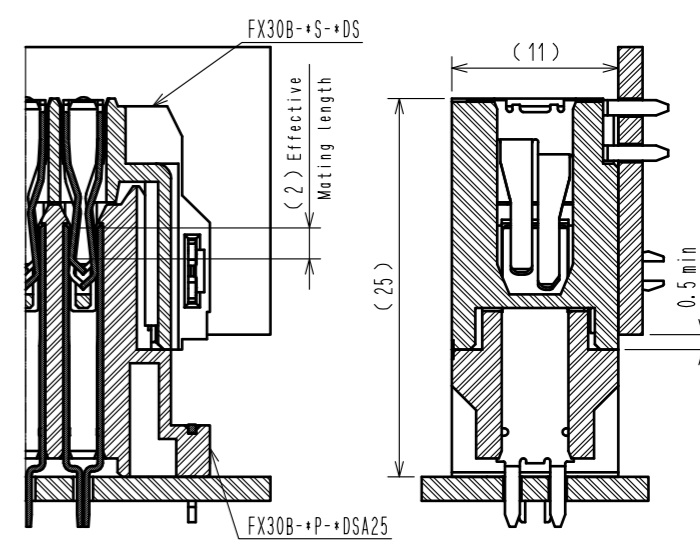


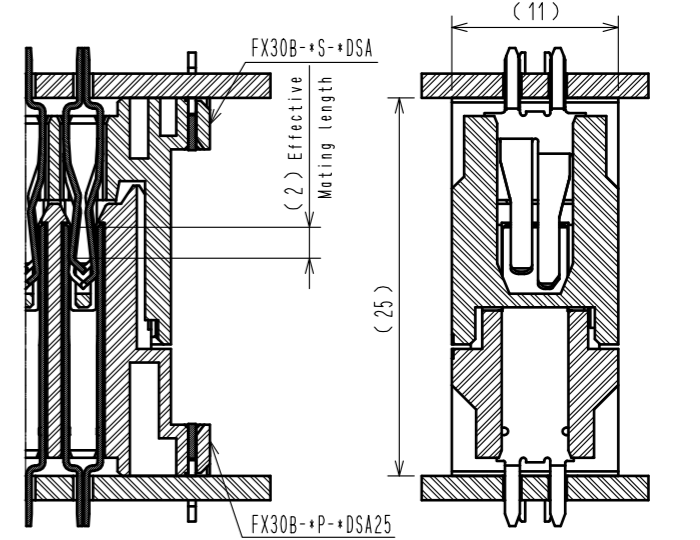
Jan.1.2022 Copyright 2022 HIROSE ELECTRIC CO., LTD. All Rights Reserved.
 In case of consideration for using Automotive equipment / device which demand high reliability, kindly contact our sales window correspondents.



Cross section of mating(Free)
Vertical connection



Cross section of mating(Free)
Stacking connection



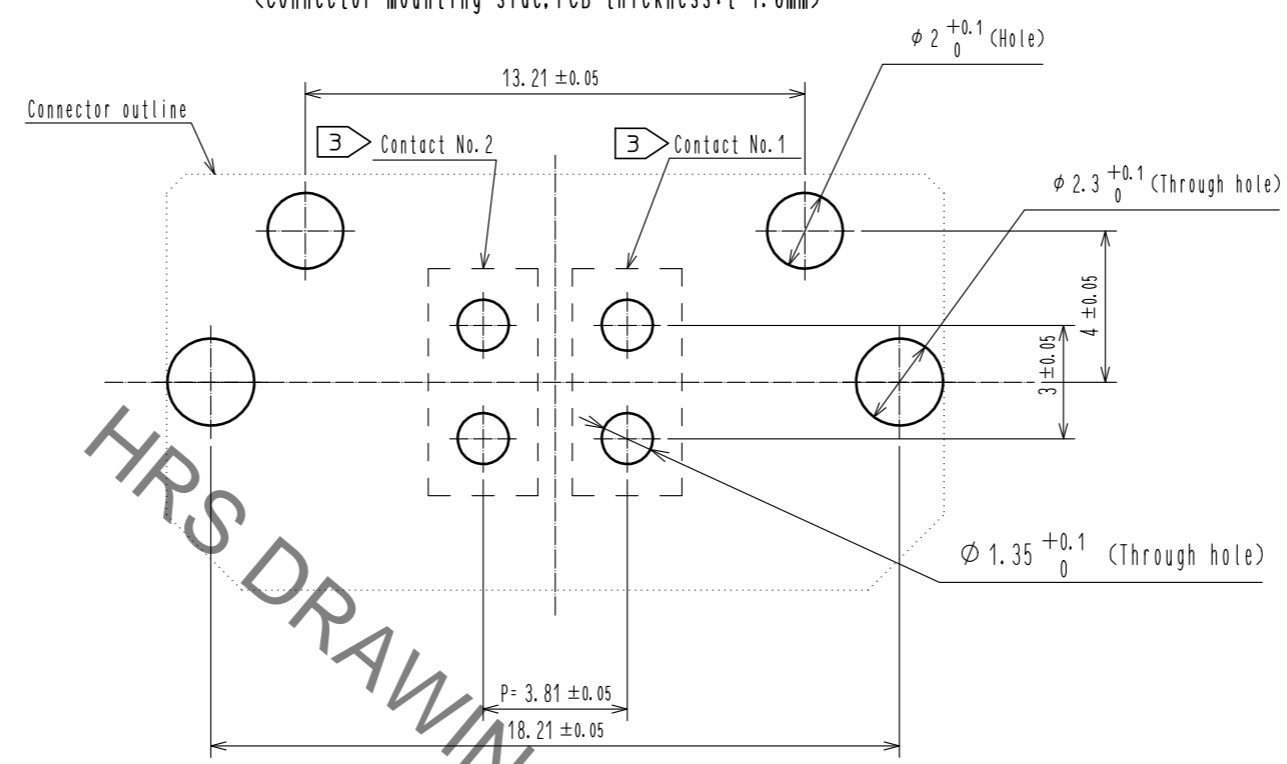
- Note
- 1 This product is packaged in tray. (49pcs/tray)
 - 2 Blemish and hit mark can be occurred through out the manufacturing process which doesn't affect quality level. Also, black spot could be observed on the surface of housing.
 - 3 For the contact No., adjacent two pairs of leads placed back-to-back (4 leads in total) compose one line.
 - 4 Misalignment absorbing range: ± 0.3mm max.
 - 5 The dimension in parentheses are for references.
 - 6 Lot NO. is indicated at either one of the position as shown.
 - 7 UL (File No. E52653)
C-UL (File No. E52653)
TUV (Certificate No. R50275872) authorization article.



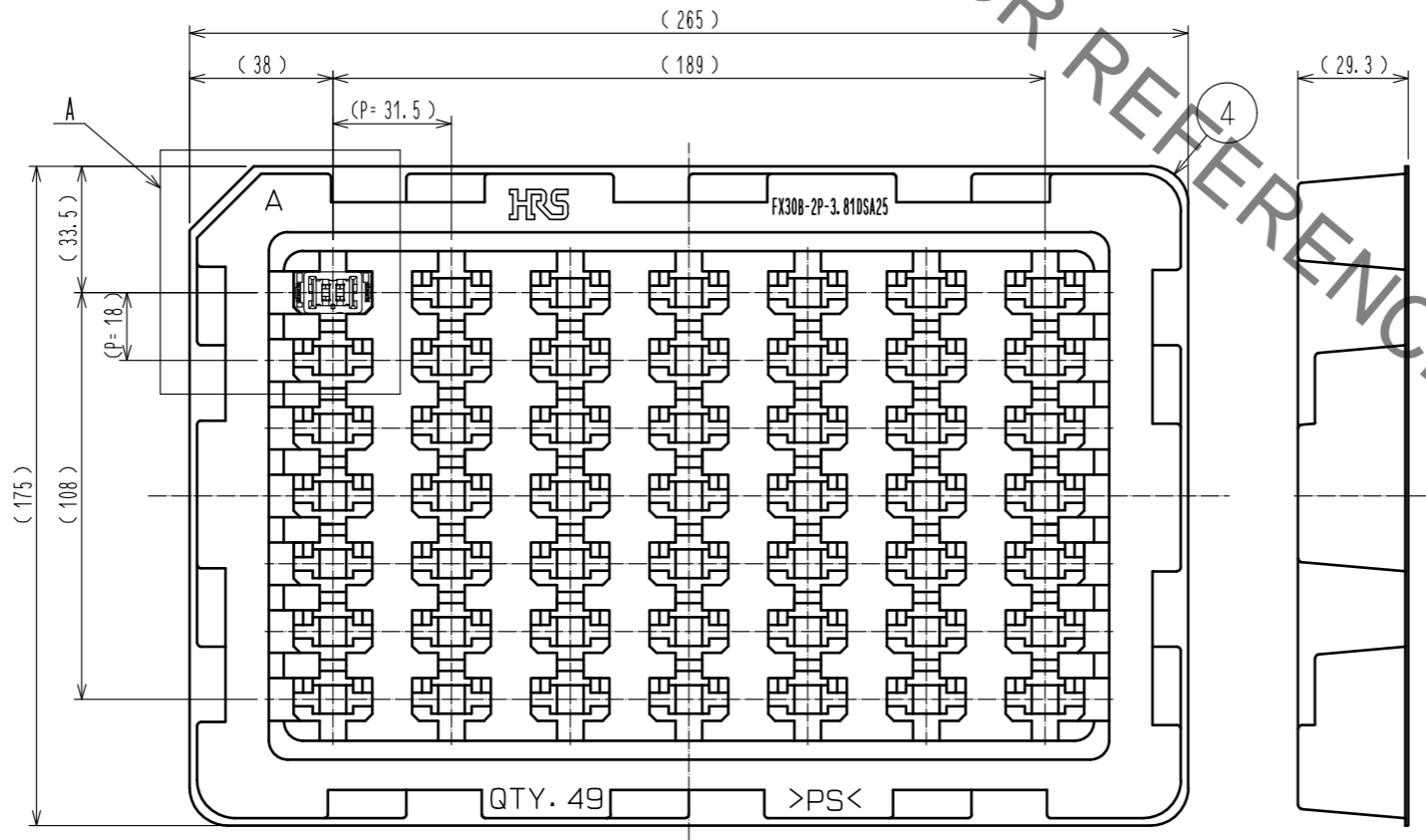
2	COPPER ALLOY	CONTACT AREA: GOLD-PLATING 0.1 μm	4	POLYSTYRENE	TIN-PLATING 3.0 μm			
		LEAD AREA: TIN-PLATING 1.0 μm				3	PHOSPHOR BRONZE	UNDER PLATING: NICKEL 1.0 μm
		UNDER PLATING: NICKEL 1.0 μm						
1	POLYAMIDE	BLACK UL94V-0						
NO.	MATERIAL	FINISH . REMARKS	NO.	MATERIAL	FINISH . REMARKS			
UNITS mm		SCALE 2 : 1	COUNT 1	DESCRIPTION OF REVISIONS DIS-F-00006019				
DESIGNED AK. IWAHORI		CHECKED HT. YAMAGUCHI		DATE 20200406				
APPROVED : HS. OKAWA 20130307		DRAWING NO. EDC3-347259-00						
CHECED : KI. HIROKAWA 20130307		PART NO. FX30B-2P-3.81DSA25						
DESIGNED : DK. AIMOTO 20130307		CODE NO. CL570-3200-8-00						
DRAWN : DK. AIMOTO 20130307								

Jan.1.2022 Copyright 2022 HIROSE ELECTRIC CO., LTD. All Rights Reserved.
 In case of consideration for using Automotive equipment / device which demand high reliability, kindly contact our sales window correspondents.

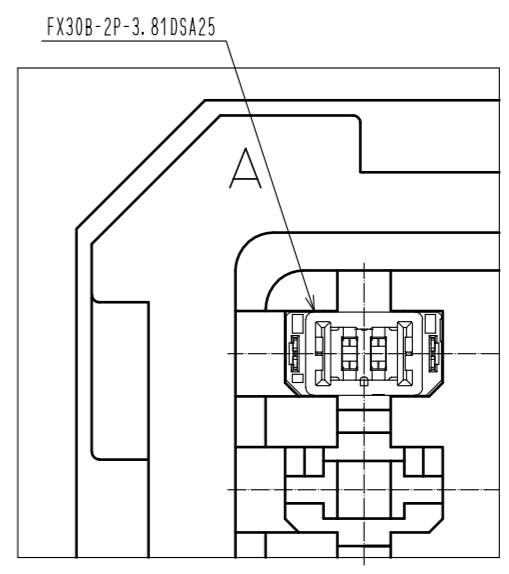
Recommended hole pattern dimension of PCB(5:1)
 (Connector mounting side, PCB thickness:t=1.6mm)



1 Drawing for packaging(1:2)



A(1:1)



HRS	DRAWING NO.	EDC3-347259-00	
	PART NO.	FX30B-2P-3.81DSA25	
	CODE NO.	CL570-3200-8-00	2/2