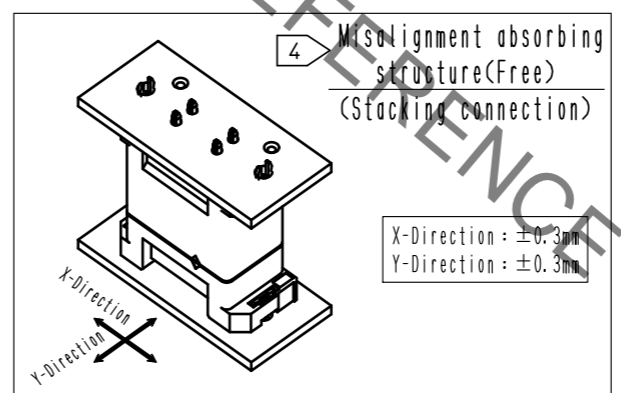
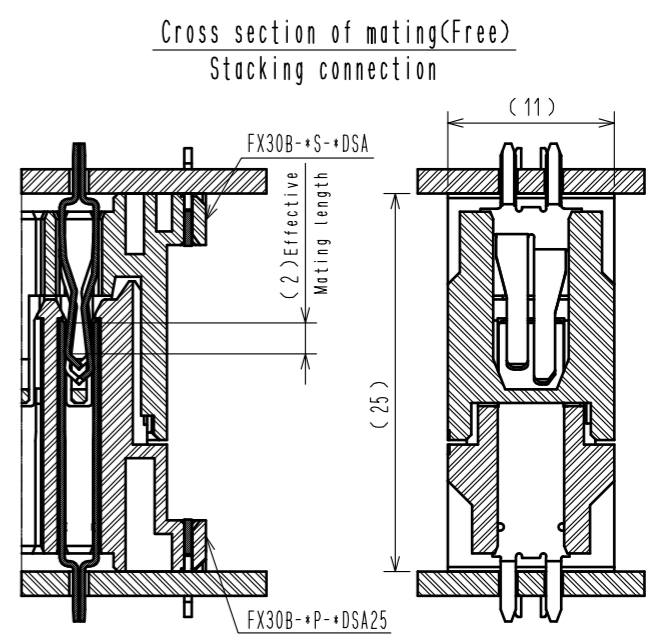
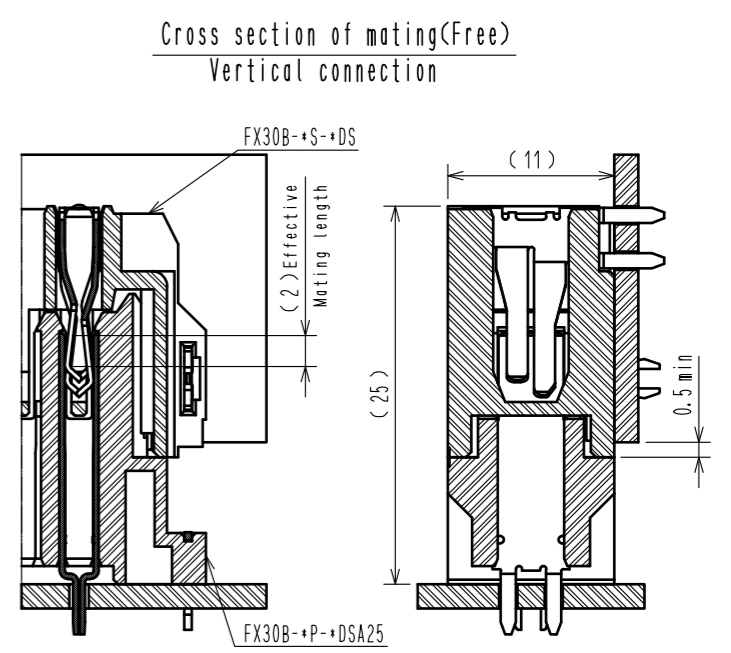
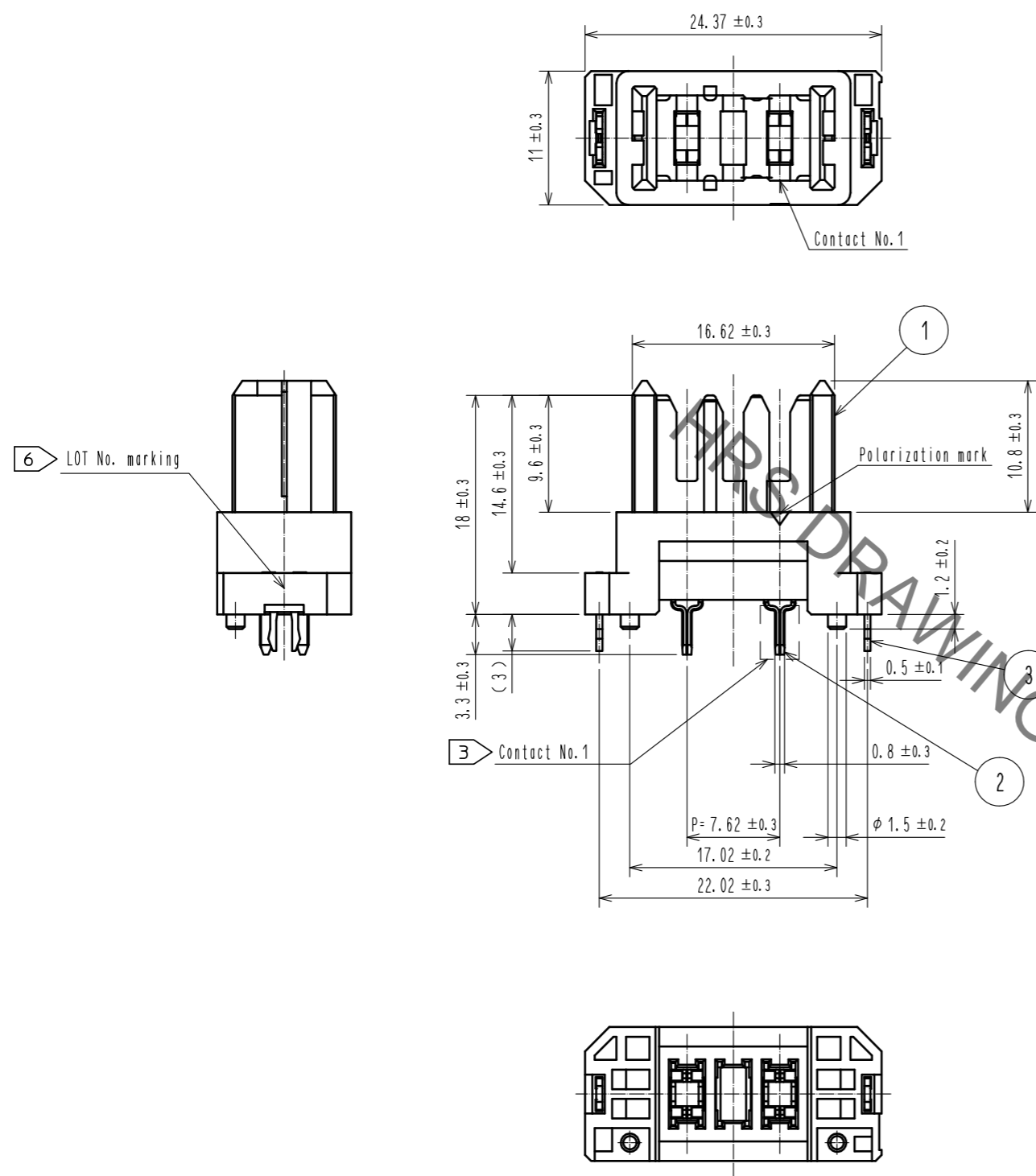


Dec.1.2021 Copyright 2021 HIROSE ELECTRIC CO., LTD. All Rights Reserved.
In case of consideration for using Automotive equipment / device which demand high reliability, kindly contact our sales window correspondents.



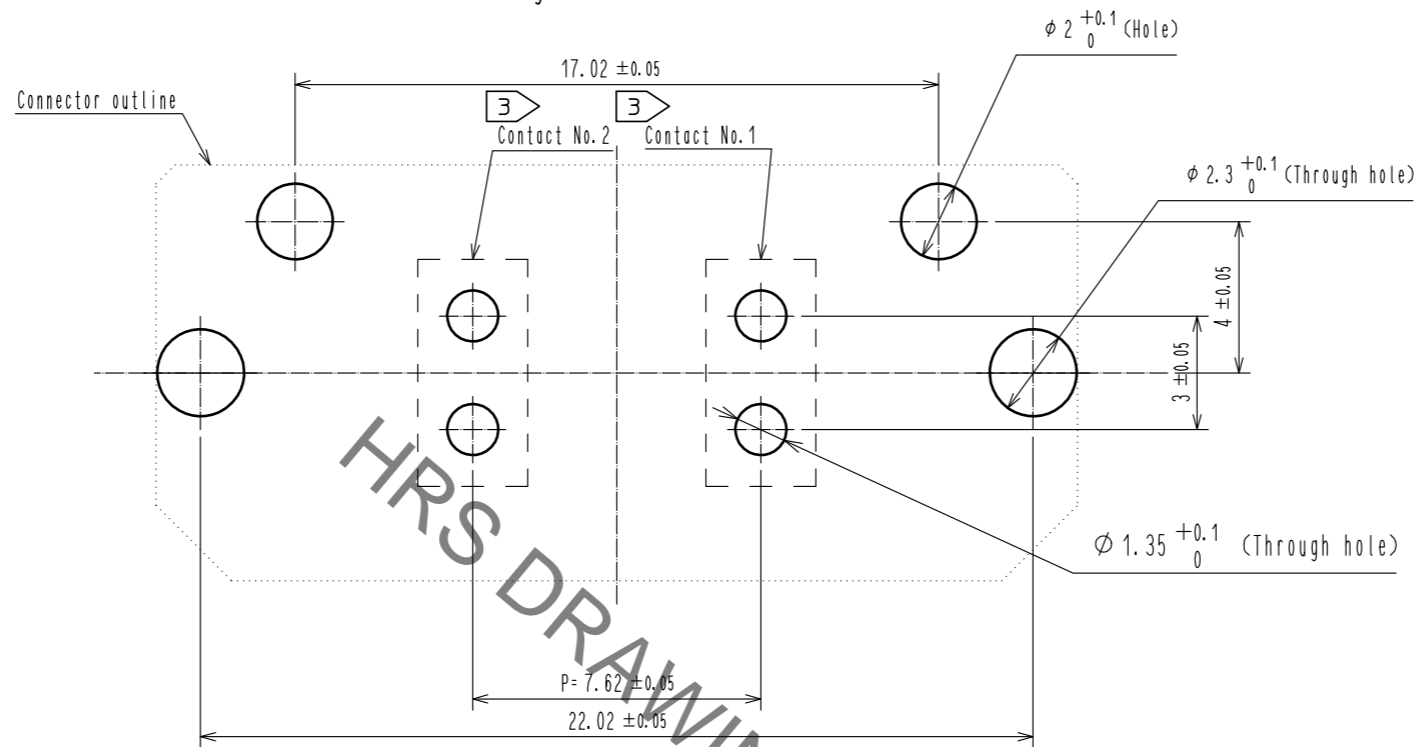
- NOTE
- ① This product is packaged in tray. (42pcs/tray)
 - ② Blemish and hit mark can be occurred through out the manufacturing process which doesn't affect quality level. Also, black spot could be observed on the surface of housing.
 - ③ For the contact No., adjacent two pairs of leads placed back-to-back (4 leads in total) Compose one line.
 - ④ Misalignment absorbing range: ±0.3mm max.
 - ⑤ The dimension in parentheses are for references.
 - ⑥ Lot No. is indicated at either one of the position as shown.
 - ⑦ UL (File No. E52653)
C-UL (File No. E52653)
TUV (Certificate No. R50275872) authorization article.



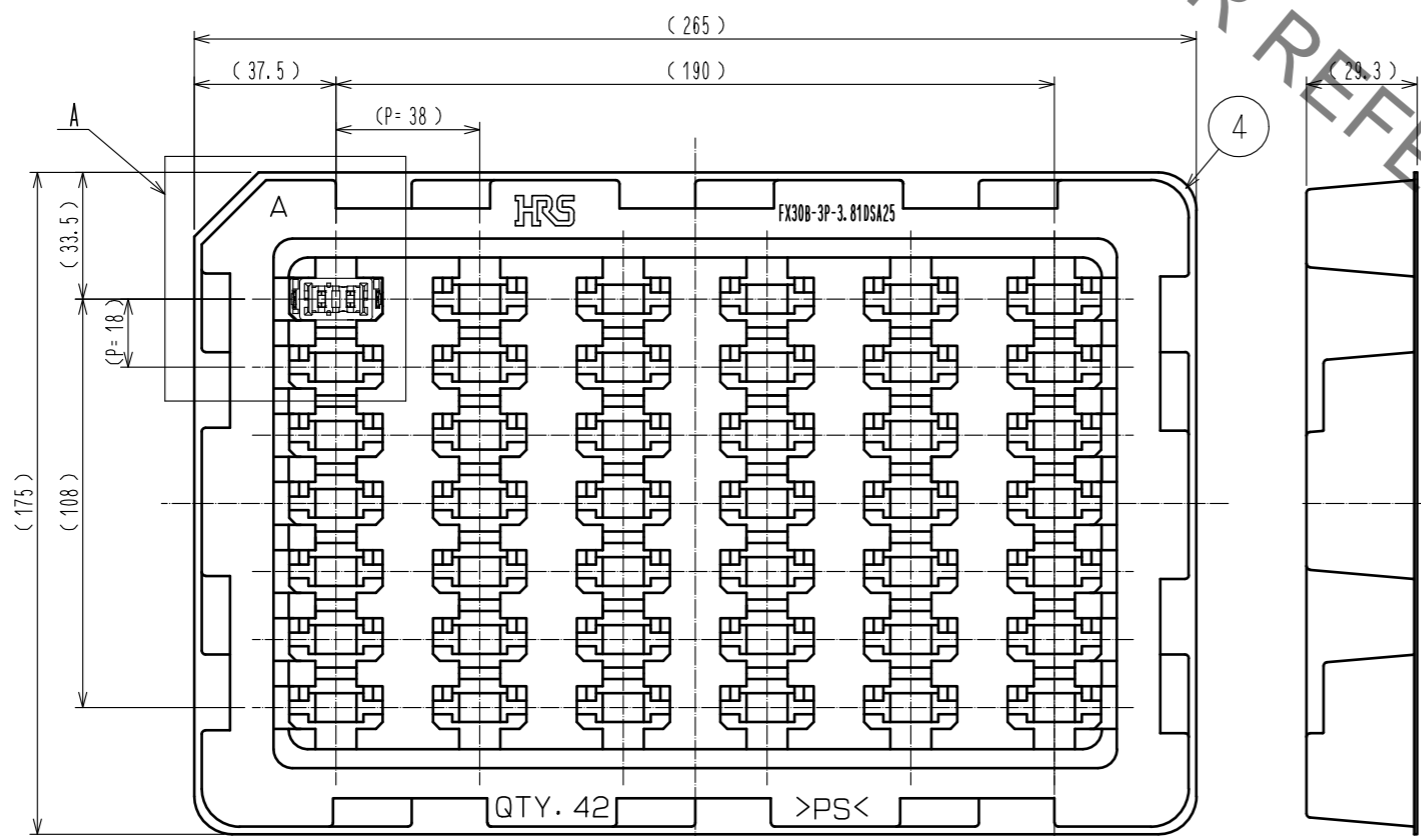
2	Copper alloy	Contact area: Gold-plating 0.1 μm	4	Polystyrene			
		Lead area: Tin-plating 1.0 μm			3	Phosphor bronze	Tin-plating 3.0 μm
		Under plating: Nickel 1.0 μm					Under plating: Nickel 1.0 μm
1	Polyamide	Black UL94V-0					
NO.	MATERIAL	FINISH . REMARKS	NO.	MATERIAL	FINISH . REMARKS		
UNITS mm		SCALE 2 : 1	COUNT 1	DESCRIPTION OF REVISIONS DIS-F-00006019	DESIGNED AK. IWAHORI	CHECKED HT. YAMAGUCHI	DATE 20200406
HRS HIROSE ELECTRIC CO., LTD.		APPROVED : HS. OKAWA	20140912	DRAWING NO. EDC3-359158-00			
		CHECKED : KN. SHIBUYA	20140912	PART NO. FX30B-2P-7.62DSA25			
		DESIGNED : DK. AIMOTO	20140912	CODE NO. CL570-3205-1-00			
		DRAWN : DK. AIMOTO	20140912			② 1/2	

Dec.1.2021 Copyright 2021 HIROSE ELECTRIC CO., LTD. All Rights Reserved.
 In case of consideration for using Automotive equipment / device which demand high reliability, kindly contact our sales window correspondents.

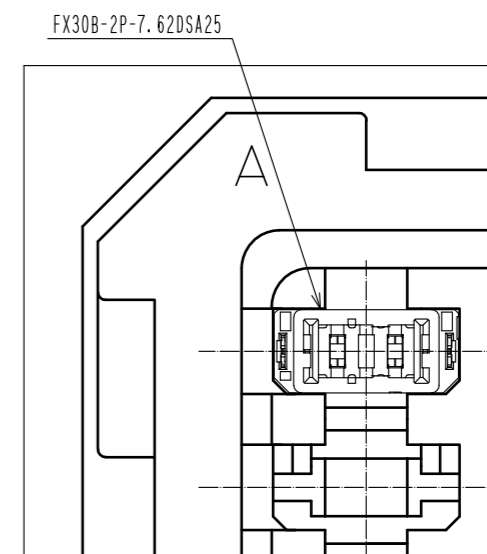
Recommended hole pattern dimension of PCB(5:1)
 (Connector mounting side, PCB thickness:t=1.6mm)



1 Drawing for packaging(1:2)



A(1:1)



HRS	DRAWING NO.	EDC3-359158-00	2/2
	PART NO.	FX30B-2P-7.62DSA25	
	CODE NO.	CL570-3205-1-00	