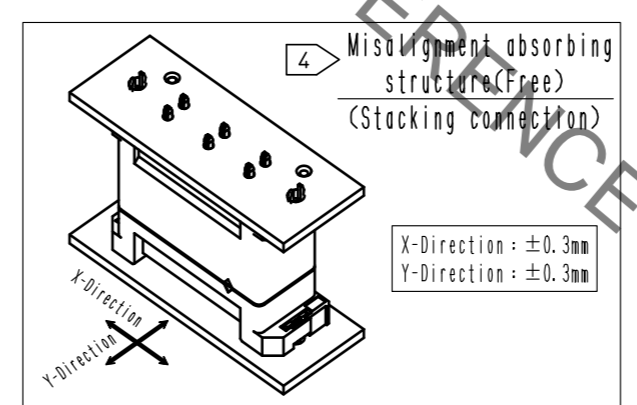
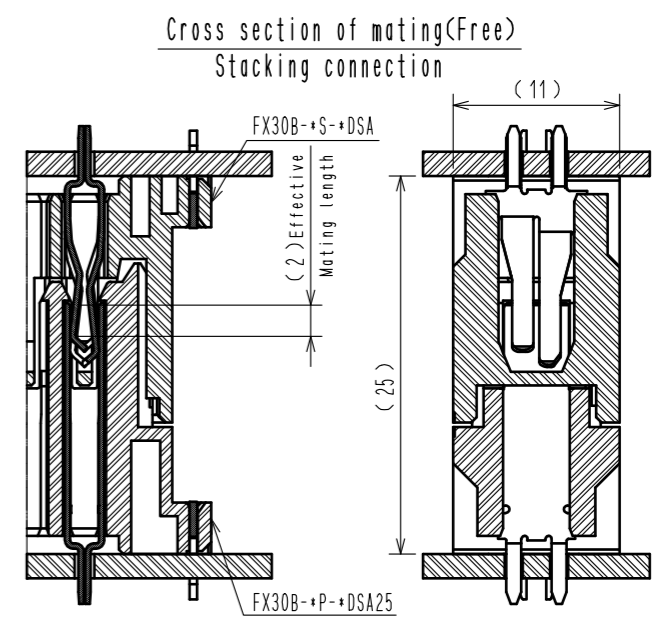
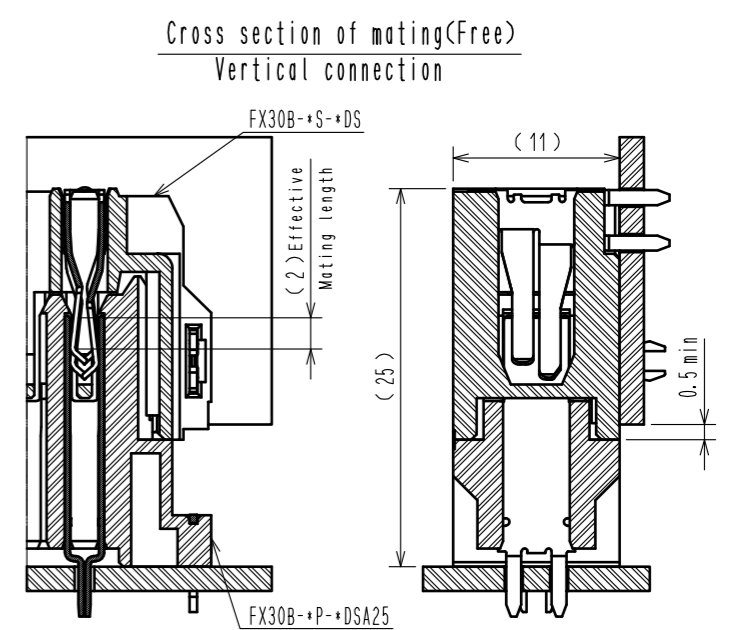
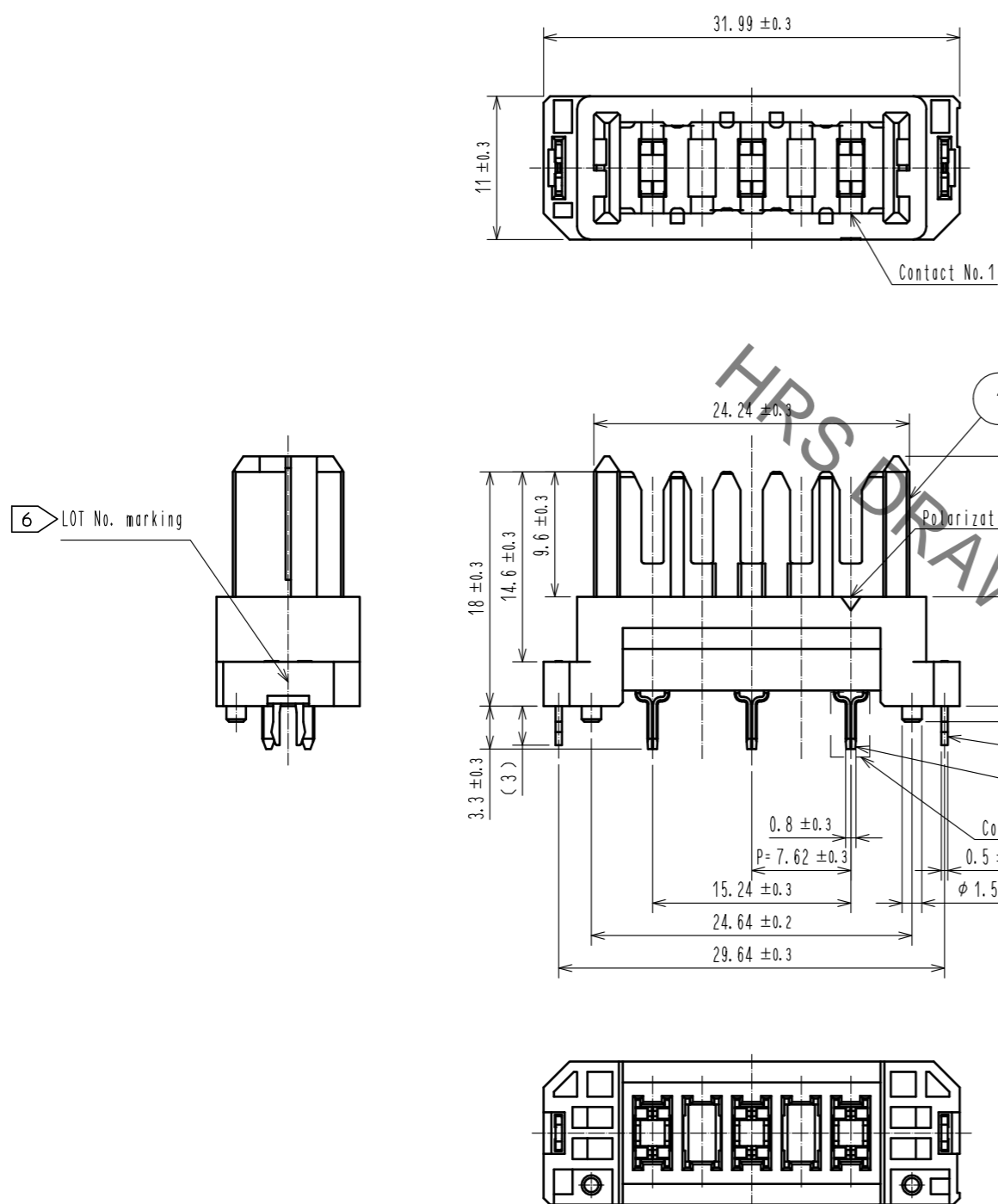


Jan.1.2022 Copyright 2022 HIROSE ELECTRIC CO., LTD. All Rights Reserved.
 In case of consideration for using Automotive equipment / device which demand high reliability, kindly contact our sales window correspondents.



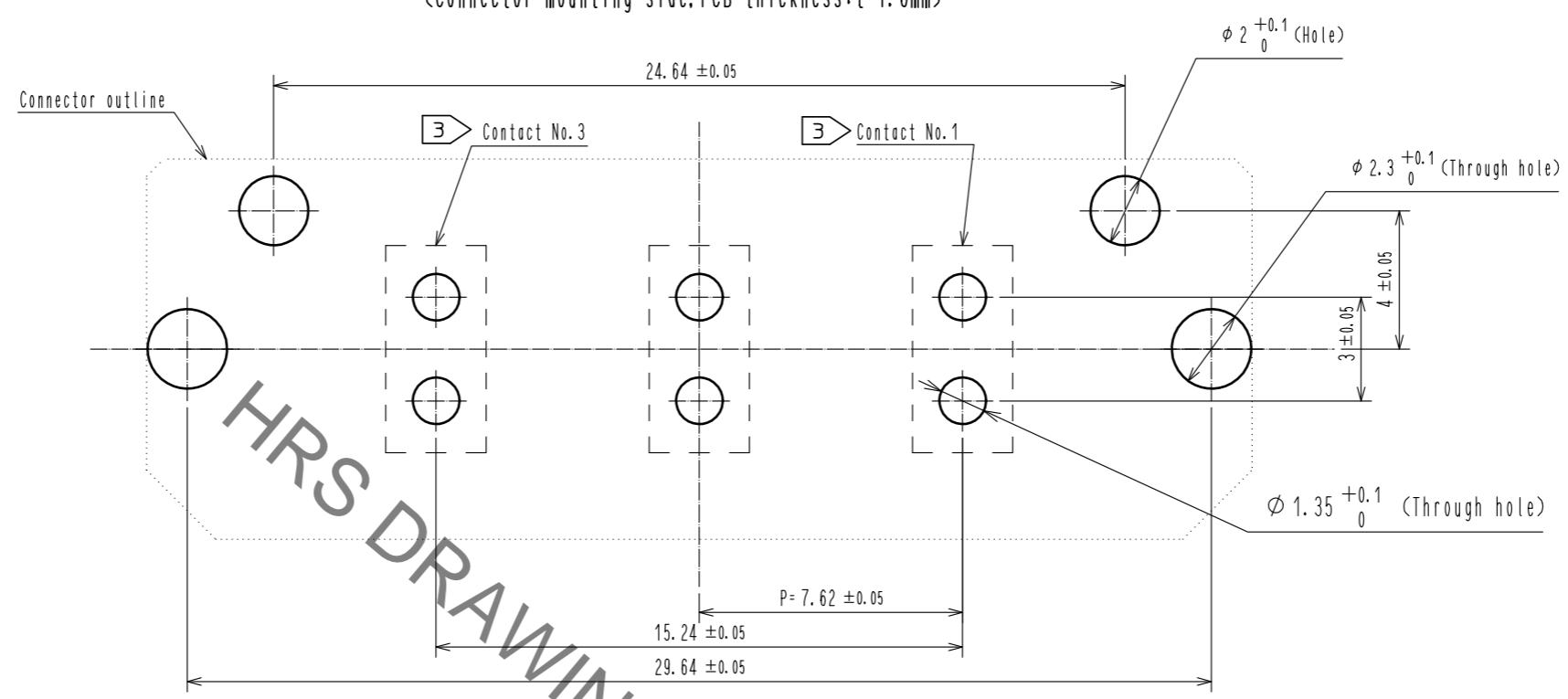
- Note
- This product is packaged in tray. (35pcs/tray)
 - Blemish and hit mark can be occurred through out the manufacturing process which doesn't affect quality level. Also, black spot could be observed on the surface of housing.
 - For the contact No., adjacent two pairs of leads placed back-to-back (4 leads in total) Compose one line.
 - Misalignment absorbing range: ± 0.3mm max.
 - The dimension in parentheses are for references.
 - Lot No. is indicated at either one of the position as shown.
 - UL (File No. E52653)
C-UL (File No. E52653)
TUV (Certificate No. R50275872) authorization article.



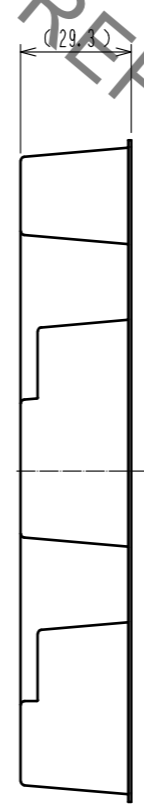
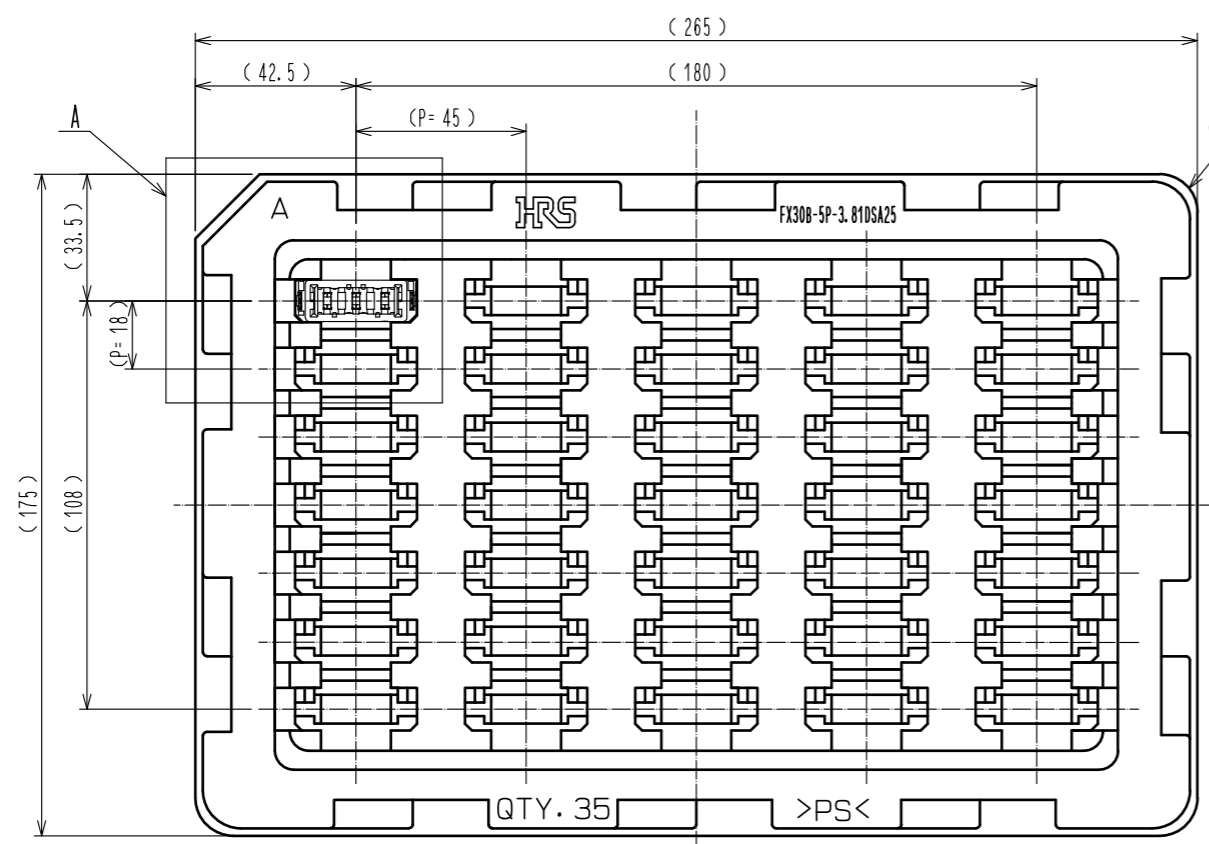
2	Copper alloy	Contact area: Gold-plating 0.1 μm	4	Polystyrene	
		Lead area: Tin-plating 1.0 μm			
		Under plating: Nickel 1.0 μm	3	Phosphor bronze	Tin-plating 3.0 μm
1	Polyamide	Black UL94V-0			Under plating: Nickel 1.0 μm
NO.	MATERIAL	FINISH . REMARKS	NO.	MATERIAL	FINISH . REMARKS
UNITS	mm	SCALE	2 : 1	COUNT	1
		DESCRIPTION OF REVISIONS		DESIGNED	AK. IWAHORI
		DIS-F-00006019		CHECKED	HT. YAMAGUCHI
				DATE	20200406
APPROVED : HS. OKAWA			20140912		
CHECED : KN. SHIBUYA			20140912		
DESIGNED : DK. AIMOTO			20140912		
DRAWN : DK. AIMOTO			20140912		
DRAWING NO.				EDC3-359160-00	
PART NO.				FX30B-3P-7.62DSA25	
CODE NO.				CL570-3206-4-00	
				1/2	

Jan.1.2022 Copyright 2022 HIROSE ELECTRIC CO., LTD. All Rights Reserved.
In case of consideration for using Automotive equipment / device which demand high reliability, kindly contact our sales window correspondents.

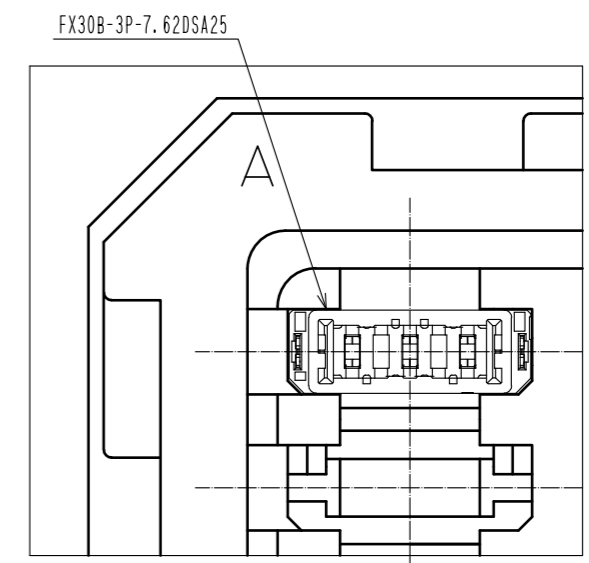
Recommended hole pattern dimension of PCB(5:1)
(Connector mounting side, PCB thickness:t=1.6mm)



1 Drawing for packaging(1:2)



A(1:1)



HRS	DRAWING NO.	EDC3-359160-00
	PART NO.	FX30B-3P-7.62DSA25
	CODE NO.	CL570-3206-4-00
		2/2