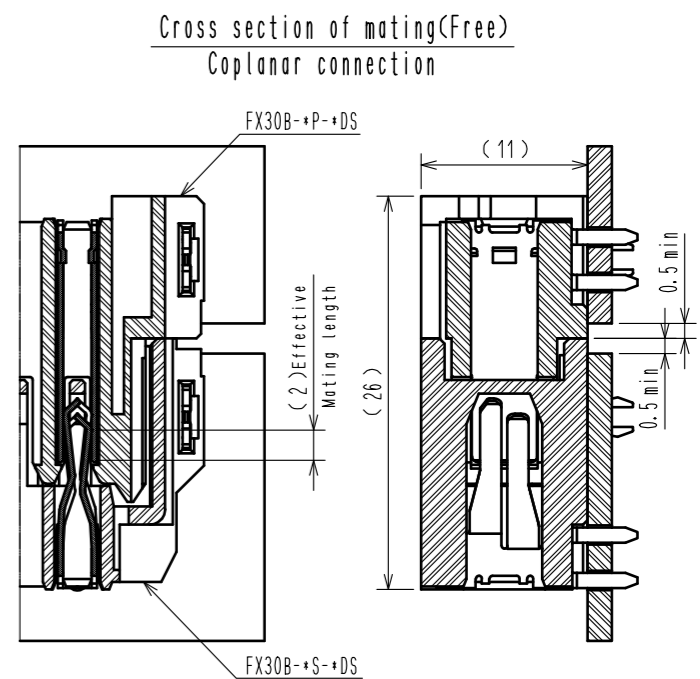
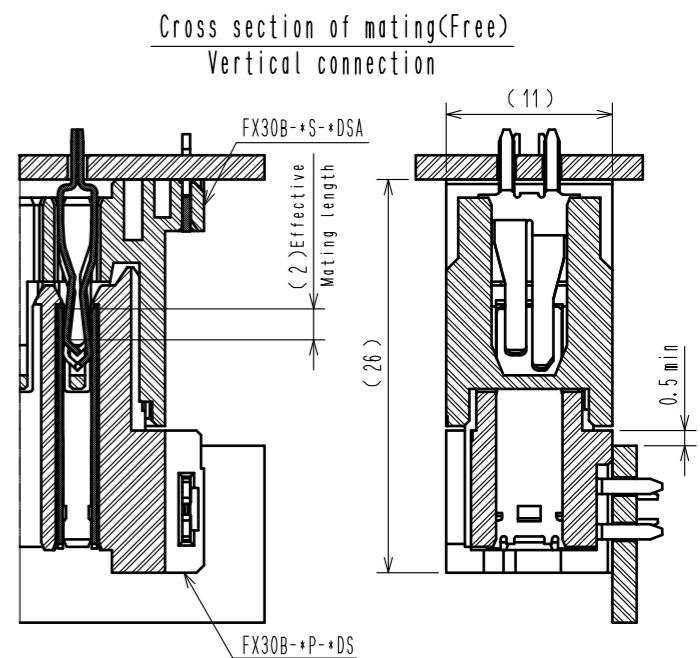
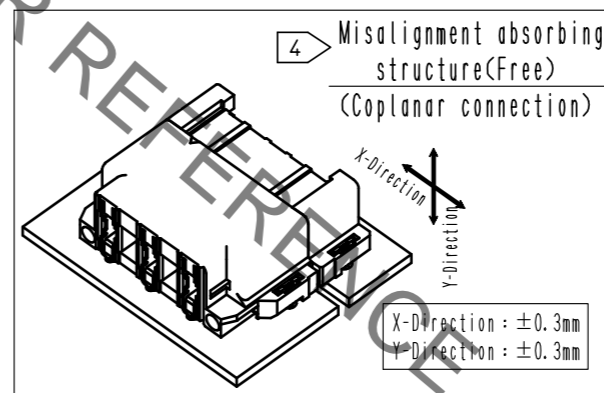
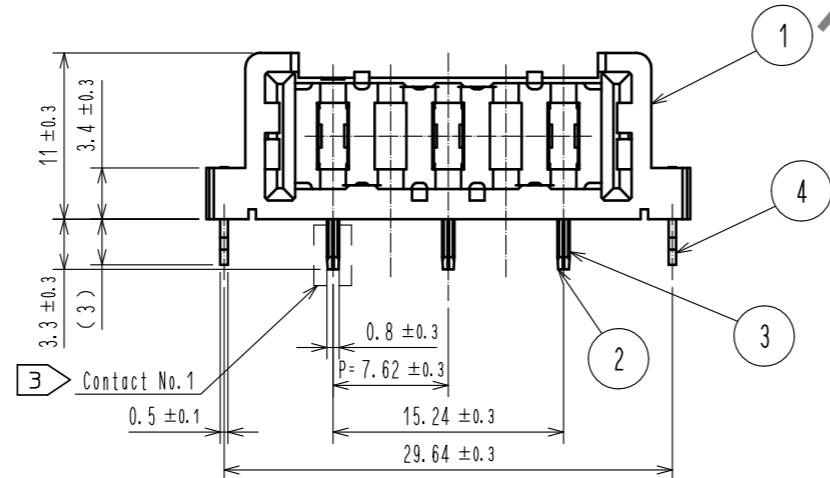
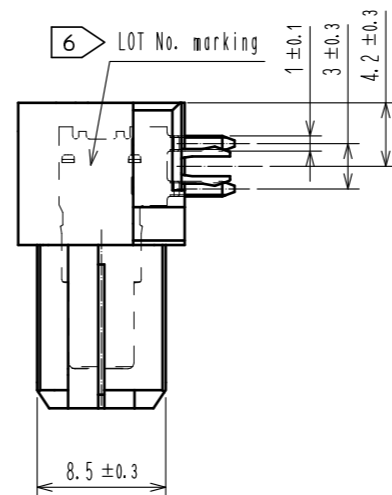
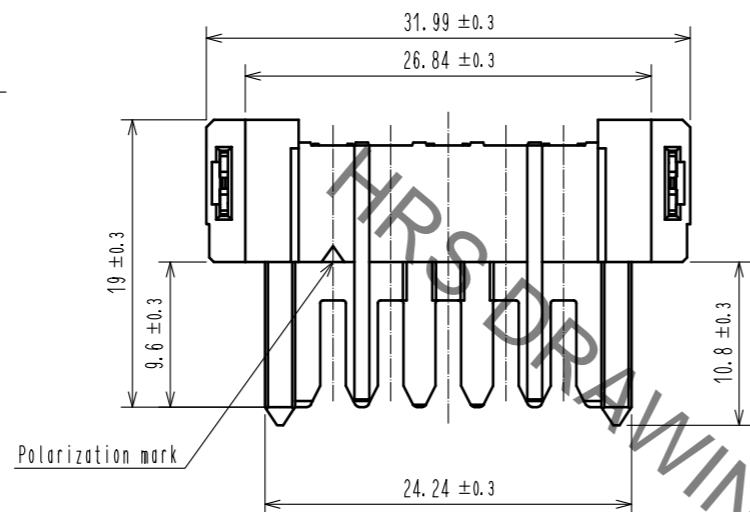
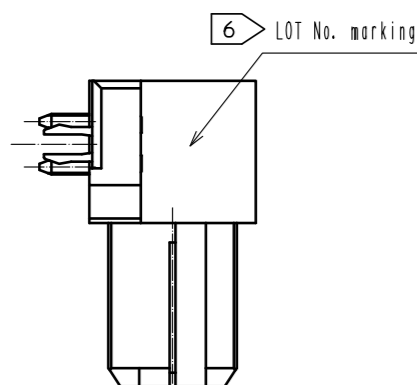
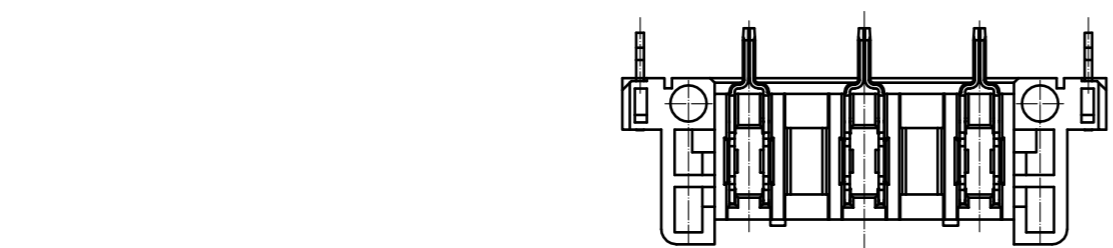


Jan.1.2022 Copyright 2022 HIROSE ELECTRIC CO., LTD. All Rights Reserved.
In case of consideration for using Automotive equipment / device which demand high reliability, kindly contact our sales window correspondents.



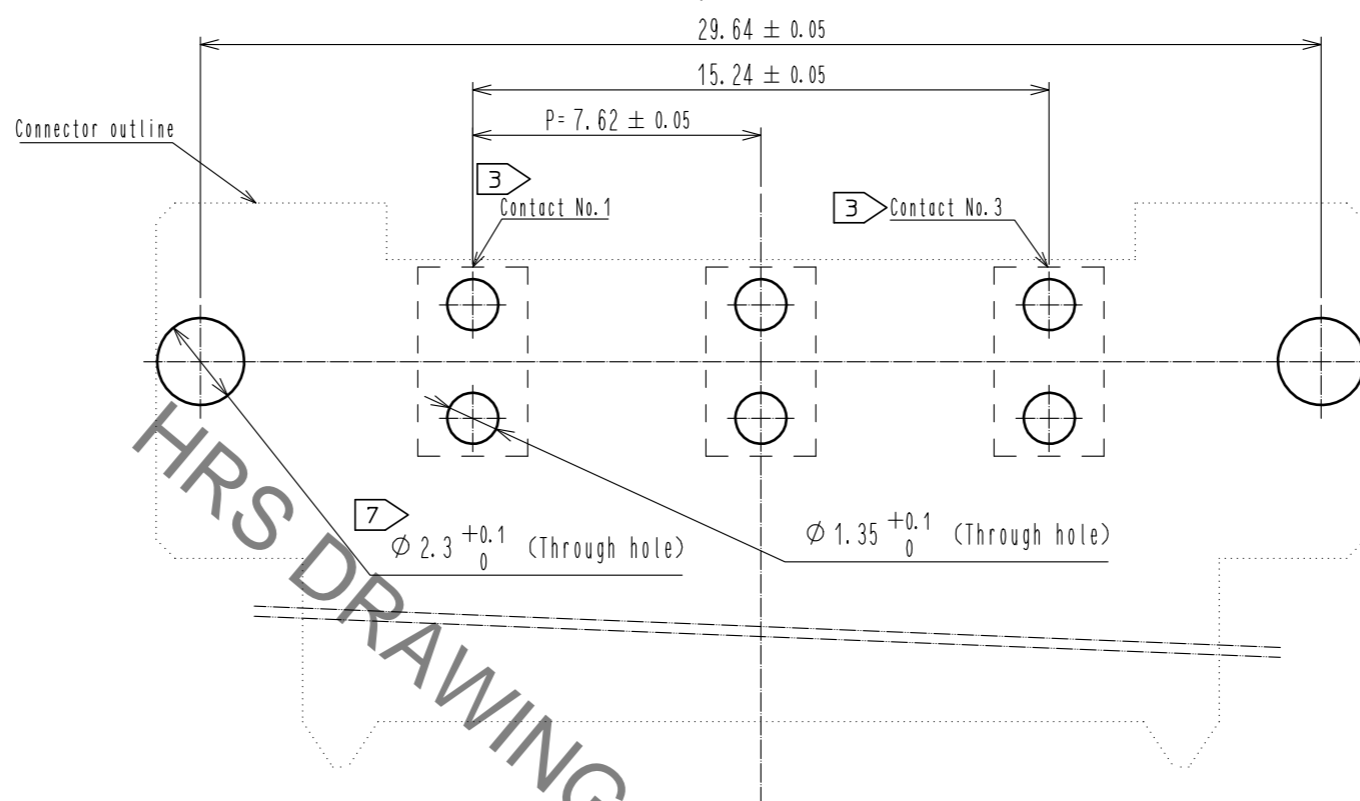
- Note
- ① This product is packaged in tray. (20pcs/tray)
 - ② Blemish and hit mark can be occurred through out the manufacturing process which doesn't affect quality level. Also, black spot could be observed on the surface of housing.
 - ③ For the contact No., adjacent two pairs of leads placed back-to-back (4 leads in total) Compose one line.
 - ④ Misalignment absorbing range: ±0.3mm max.
 - ⑤ The dimension in parentheses are for references.
 - ⑥ Lot No. is indicated at either one of the position as shown.
 - ⑦ Pay attention to the recommended PCB thickness and finished through-hole dimensions. Low retention force to PCB could induce angled mounting due to the unbalanced center of the connector.
 - ⑧ UL (File No. E52653)
C-UL (File No. E52653)
TUV (Certificate No. R50275872) authorization article.



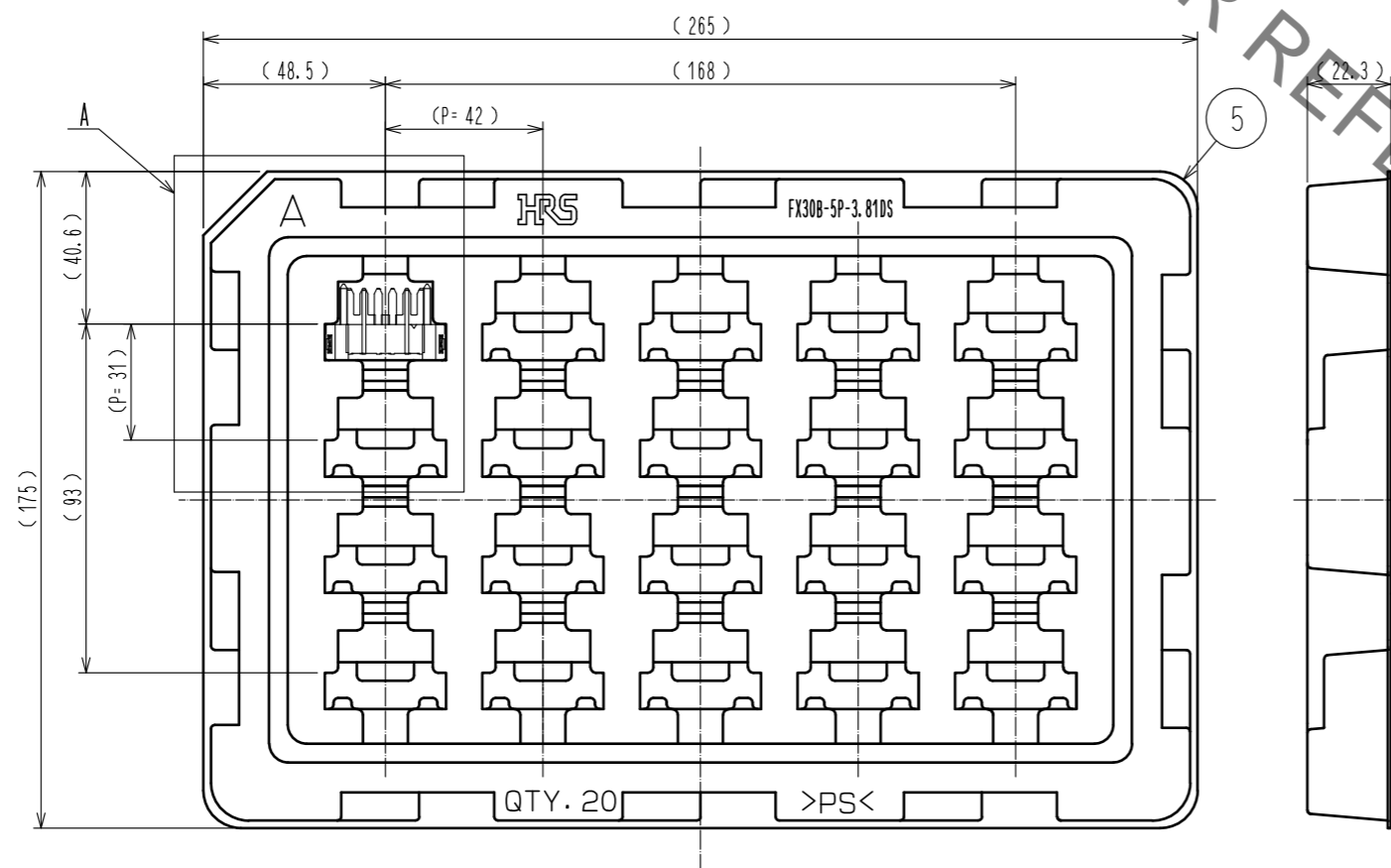
2	Copper alloy	Contact area: Gold-plating 0.1 μm Lead area: Tin-plating 1.0 μm Under plating: Nickel 1.0 μm	5	Polystyrene	
1	Polyamide	Black UL94V-0	4	Phosphor bronze	Tin-plating 3.0 μm Under plating: Nickel 1.0 μm
			3	Copper alloy	Contact area: Gold-plating 0.1 μm Lead area: Tin-plating 1.0 μm Under plating: Nickel 1.0 μm
NO.	MATERIAL	FINISH . REMARKS	NO.	MATERIAL	FINISH . REMARKS
UNITS mm		SCALE 2 : 1	COUNT 1	DESCRIPTION OF REVISIONS DIS-F-00006019	
DESIGNED AK. IWAHORI		CHECKED HT. YAMAGUCHI		DATE 20200406	
APPROVED : HS. OKAWA 20140912		DRAWING NO. EDC3-359164-00			
CHECED : KN. SHIBUYA 20140912		PART NO. FX30B-3P-7.62DS			
DESIGNED : DK. AIMOTO 20140912		CODE NO. CL570-3405-0-00			
DRAWN : DK. AIMOTO 20140912					

Jan.1.2022 Copyright 2022 HIROSE ELECTRIC CO., LTD. All Rights Reserved.
 In case of consideration for using Automotive equipment / device which demand high reliability, kindly contact our sales window correspondents.

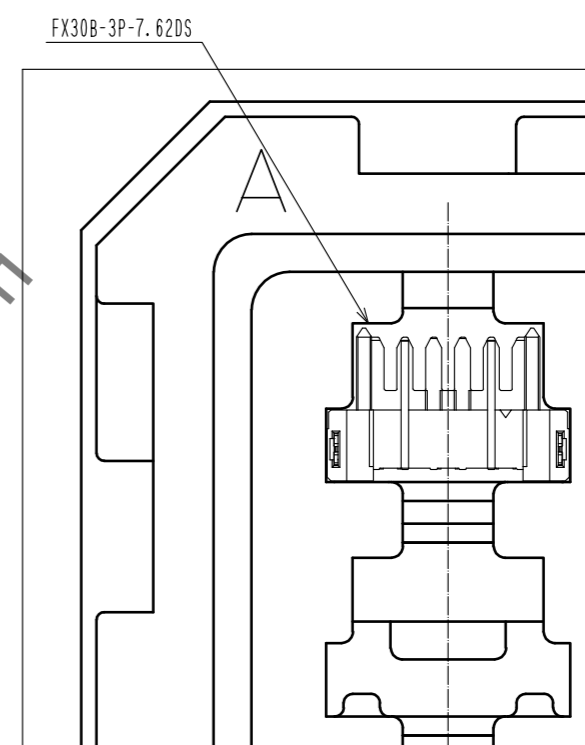
Recommended hole pattern dimension of PCB(5:1)
 (Connector mounting side, PCB thickness:t=1.6mm) $\triangleleft 7$



$\triangleleft 1$ Drawing for packaging(1:2)



A(1:1)



HRS	DRAWING NO.	EDC3-359164-00	$\triangleleft 2/2$
	PART NO.	FX30B-3P-7.62DS	
	CODE NO.	CL570-3405-0-00	