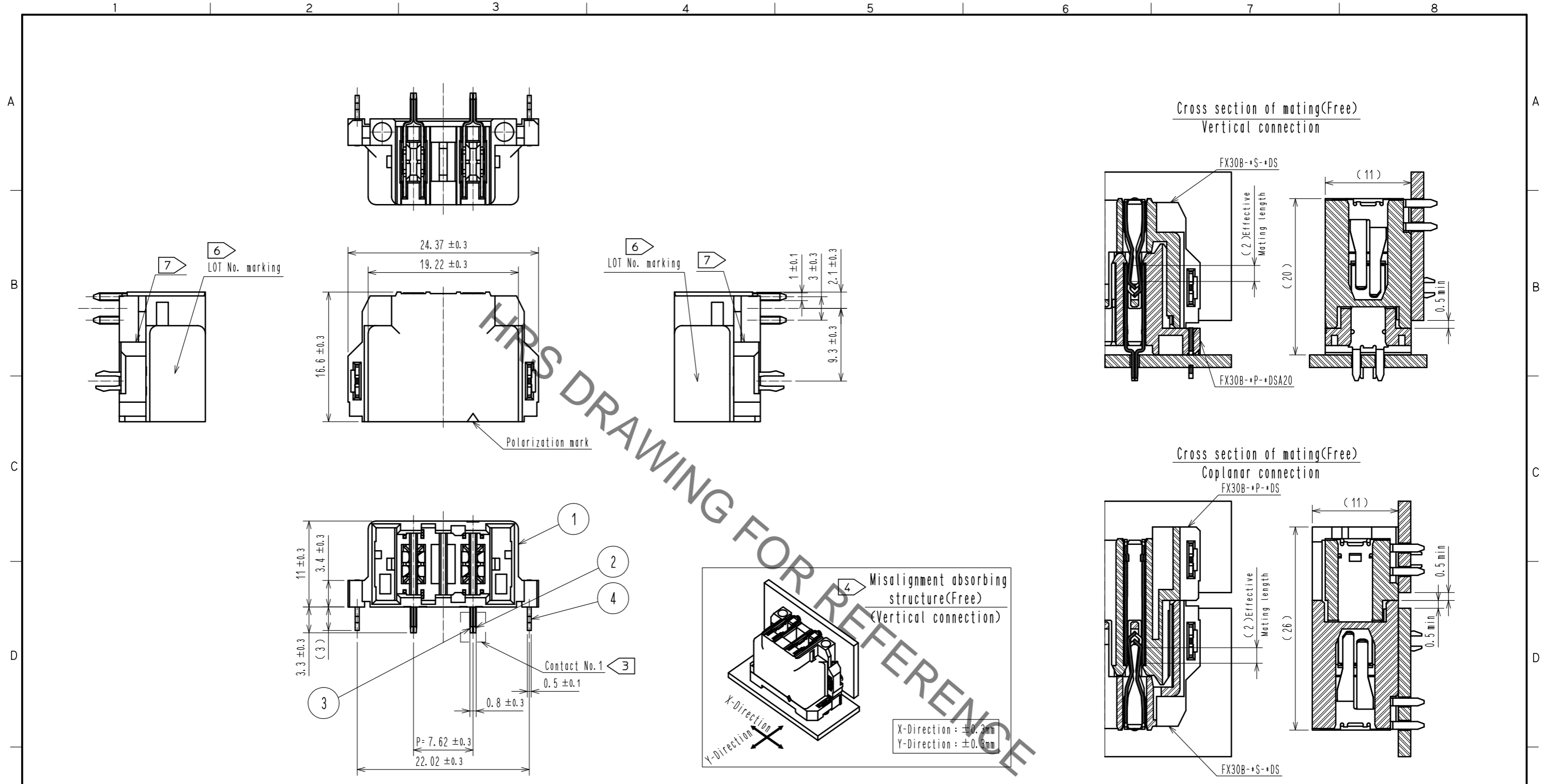


Jan.1.2022 Copyright 2022 HIROSE ELECTRIC CO., LTD. All Rights Reserved.
 In case of consideration for using Automotive equipment / device which demand high reliability, kindly contact our sales window correspondents.



- NOTE
- ① This product is packaged in tray. (30pcs/tray)
 - ② Blemish and hit mark can be occurred through out the manufacturing process which doesn't affect quality level.
Also, black spot could be observed on the surface of housing.
 - ③ For the contact NO., adjacent two pairs of leads placed back-to-back (4 leads in total) Compose one line.
 - ④ Misalignment absorbing range: ±0.3mm max.
 - ⑤ The dimension in parentheses are for references.
 - ⑥ Lot NO. is indicated at either one of the position as shown.
 - ⑦ Possible short shot and/or burr at the indicated area does not affect the product quality.
 - ⑧ UL (File No. E52653)
C-UL (File No. E52653)
TUV (Certificate No. R50275872) authorization article.

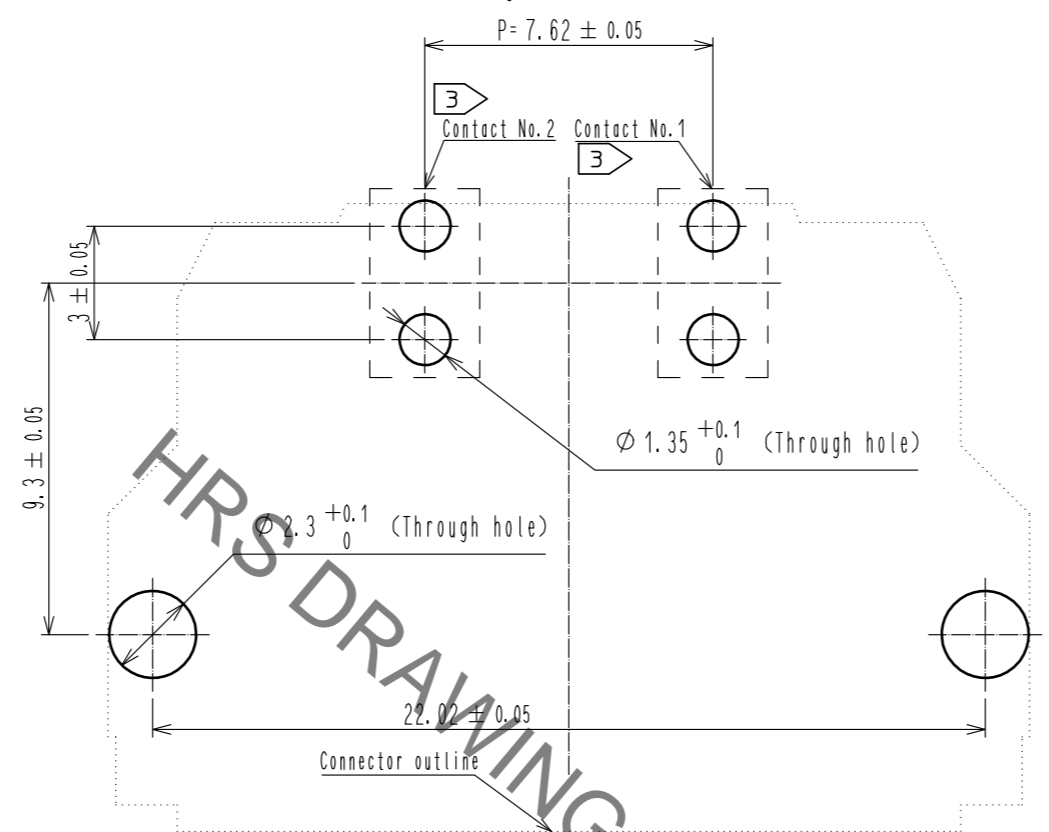


NO.	MATERIAL	FINISH . REMARKS	NO.	MATERIAL	FINISH . REMARKS
2	Copper alloy	Contact area:Gold-plating 0.1μm Lead area:Tin-plating 1.0μm Under plating:Nickel 1.0μm	3	Copper alloy	Contact area:Gold-plating 0.1μm Lead area:Tin-plating 1.0μm Under plating:Nickel 1.0μm
1	Polyamide	Black UL94V-0	4	Phosphor bronze	Tin-plating 3.0μm Under plating:Nickel 1.0μm
			5	Polystyrene	

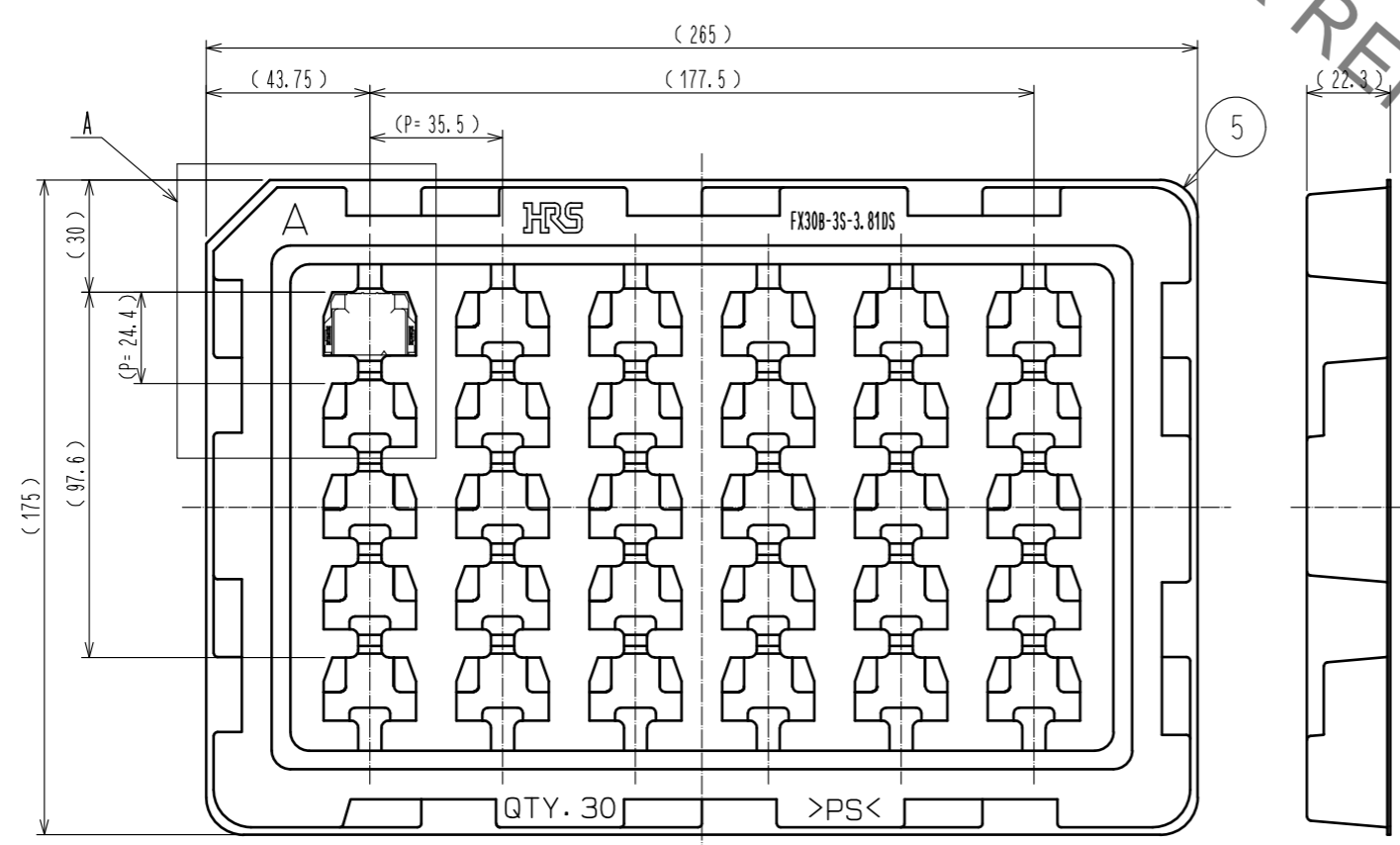
UNITS	SCALE	COUNT	DESCRIPTION OF REVISIONS	DESIGNED	CHECKED	DATE
mm	2 : 1	1	DIS-F-00006019	AK. IWAHORI	HT. YAMAGUCHI	20200406
APPROVED : HS. OKAWA			20140912	DRAWING NO. EDC3-350408-00		
CHECKED : KN. SHIBUYA			20140912	PART NO. FX30B-2S-7.62DS		
DESIGNED : DK. AIMOTO			20140912	CODE NO. CL570-3604-7-00		
DRAWN : DK. AIMOTO			20140912	1/2		

Jan.1.2022 Copyright 2022 HIROSE ELECTRIC CO., LTD. All Rights Reserved.
In case of consideration for using Automotive equipment / device which demand high reliability, kindly contact our sales window correspondents.

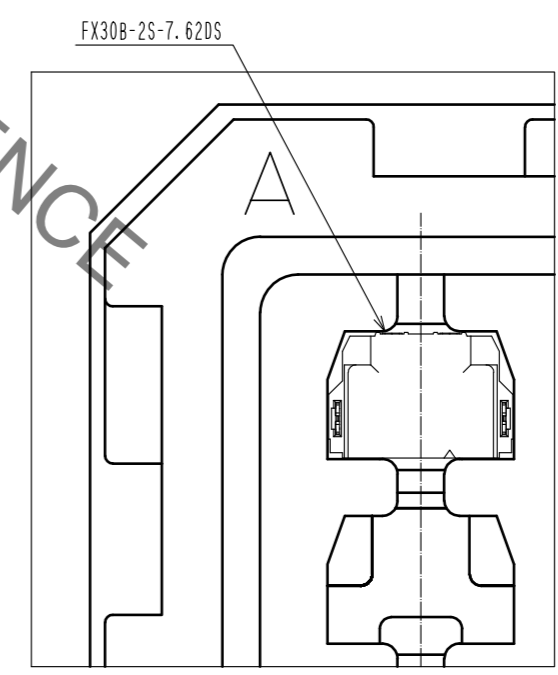
Recommended hole pattern dimension of PCB(5:1)
(Connector mounting side, PCB thickness:t=1.6mm)



1 Drawing for packaging(1:2)



A(1:1)



HRS	DRAWING NO.	EDC3-350408-00
	PART NO.	FX30B-2S-7.62DS
	CODE NO.	CL570-3604-7-00
		2/2