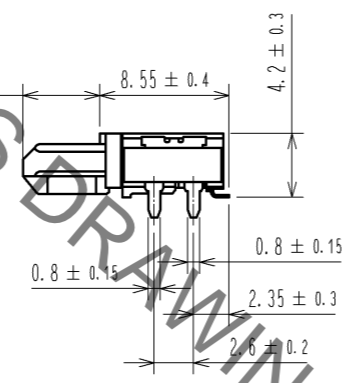
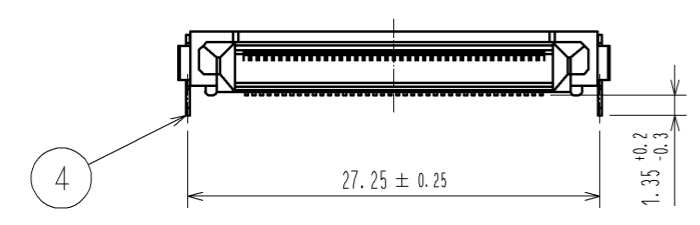
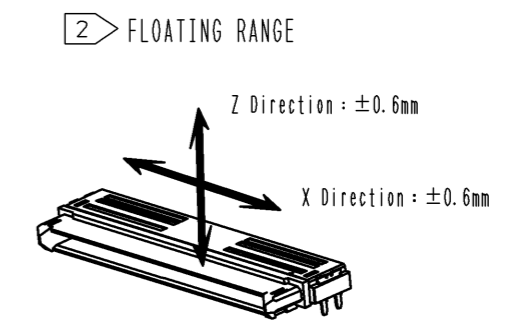
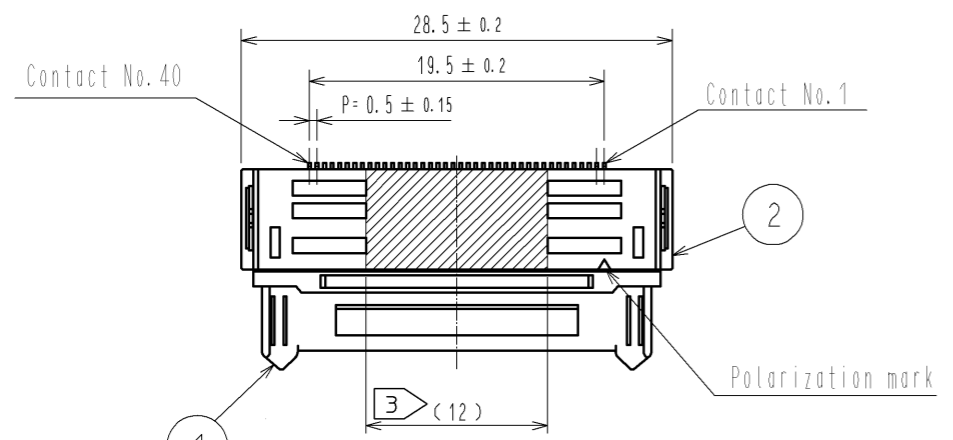
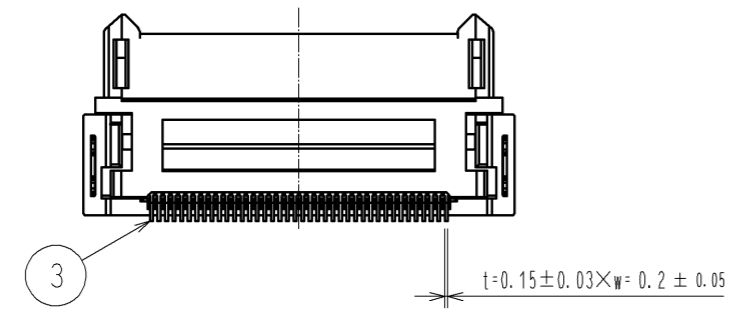
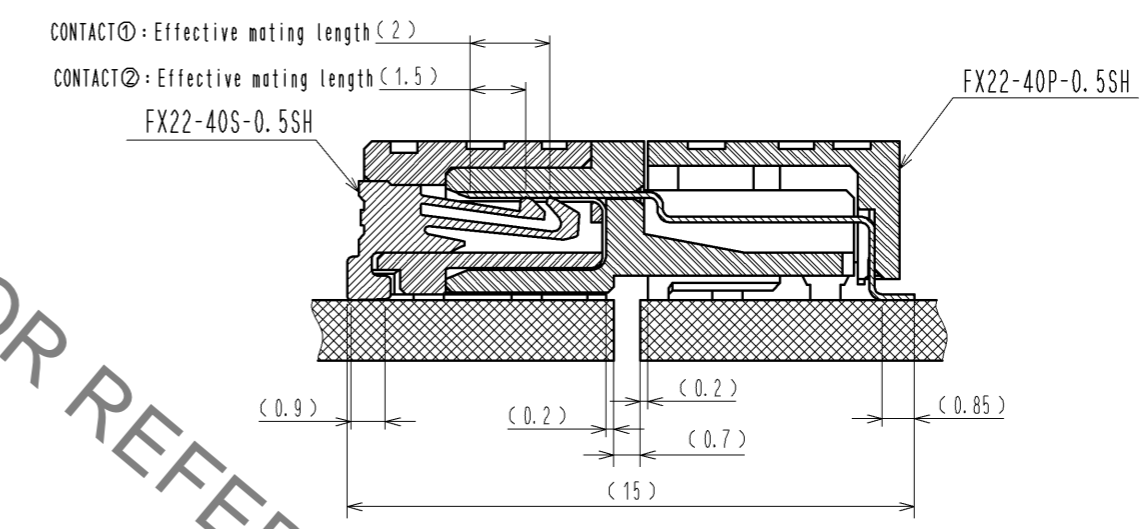


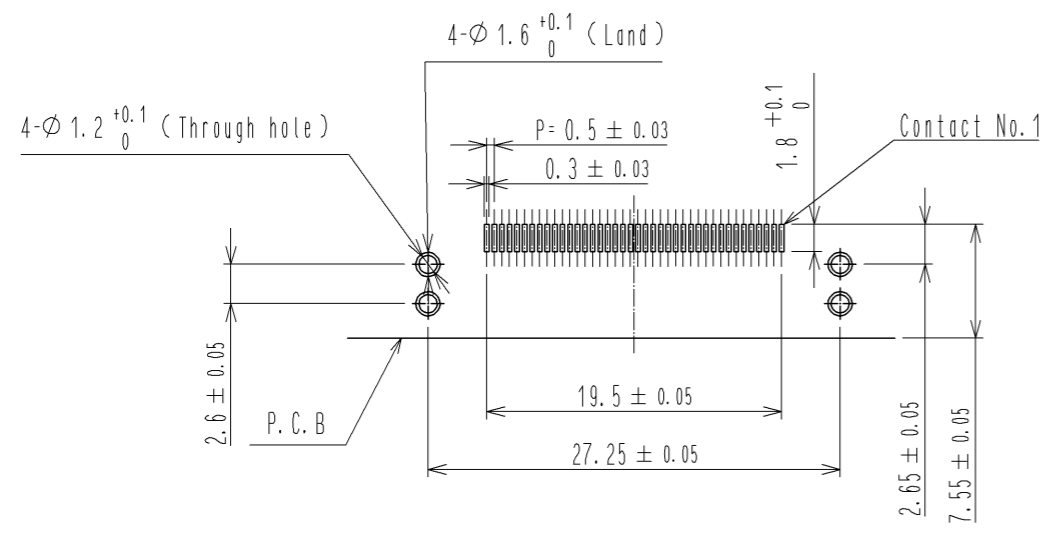
Jan.1.2022 Copyright 2022 HIROSE ELECTRIC CO., LTD. All Rights Reserved.
In case of consideration for using Automotive equipment / device which demand high reliability, kindly contact our sales window correspondents.



CROSS SECTION OF MATING(5:1)



RECOMMENDED LAND PATTERN DIMENSION OF PCB
(PCB THICKNESS: t=1.6mm METAL MASK THICKNESS: t=0.12mm)



- NOTE 1 Lead CO-Planarity is 0.1mm MAX.
 2 Floating range of this connector is ±0.6mm MAX.
 3 It shows the vacuum pickup area.
 4 Packing for product applies embossed carrier tape packing. (500pcs/RL)
 5 Blemish and hit mark can be occurred through out the manufacturing process which doesn't affect quality level.
 6 The dimensions in parentheses are for references.

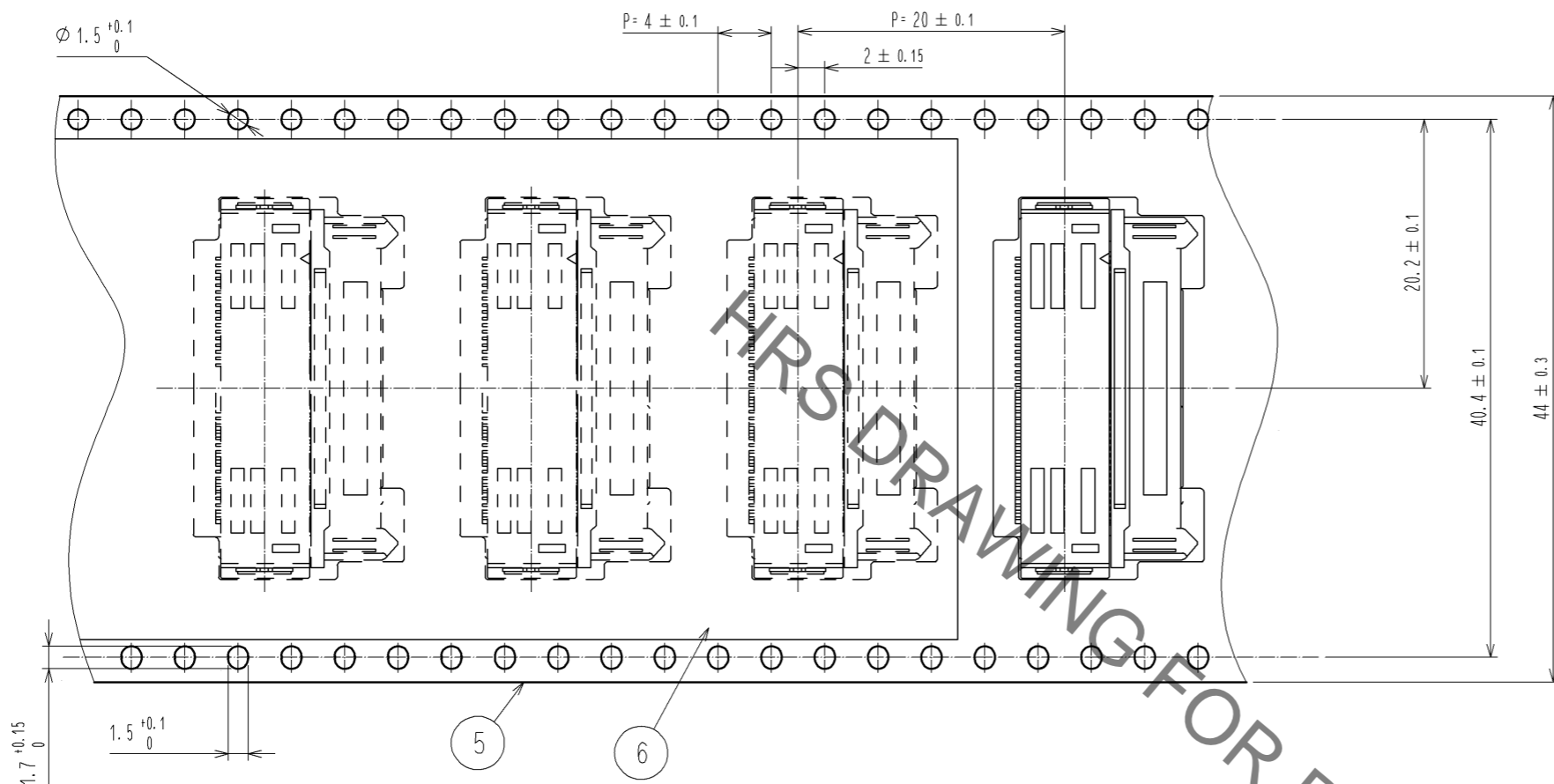
3	COPPER ALLOY	CONTACT AREA:GOLD 0.1 μm	6	POLYESTER	(EMBOSSED COVER TAPE)			
		LEAD AREA:GOLD 0.03 μm	5	POLYSTYRENE	(EMBOSSED CARRIER TAPE)			
		UNDER PLATING:NICKEL 1.3 μm	4	BRASS	TIN-PLATING 3 μm			
2	POLYAMIDE	BLACK UL94V-0			UNDER PLATING:NICKEL 1 μm			
1	POLYAMIDE	BLACK UL94V-0						
NO.	MATERIAL	FINISH . REMARKS	NO.	MATERIAL	FINISH . REMARKS			
UNITS	mm	SCALE	2 : 1	COUNT	DESCRIPTION OF REVISIONS	DESIGNED	CHECKED	DATE
APPROVED : HS. OKAWA		14. 09. 30		DRAWING NO.		EDC3-352596-00		
CHECKED : KN. SHIBUYA		14. 09. 30		PART NO.		FX22-40P-0. 5SH		
DESIGNED : AH. EDASHIGE		14. 09. 30		CODE NO.		CL572-3001-4-00		
DRAWN : AH. EDASHIGE		14. 09. 30						

HRS DRAWING FOR REFERENCE

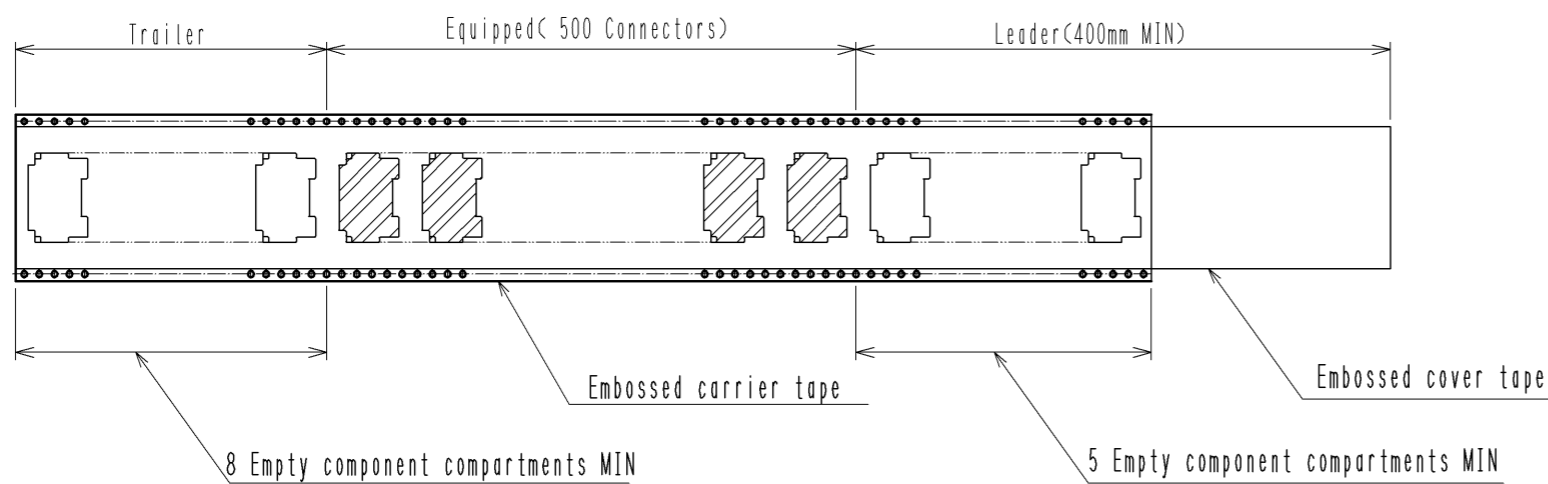
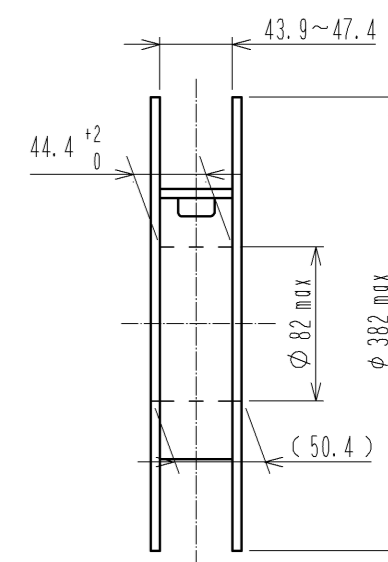
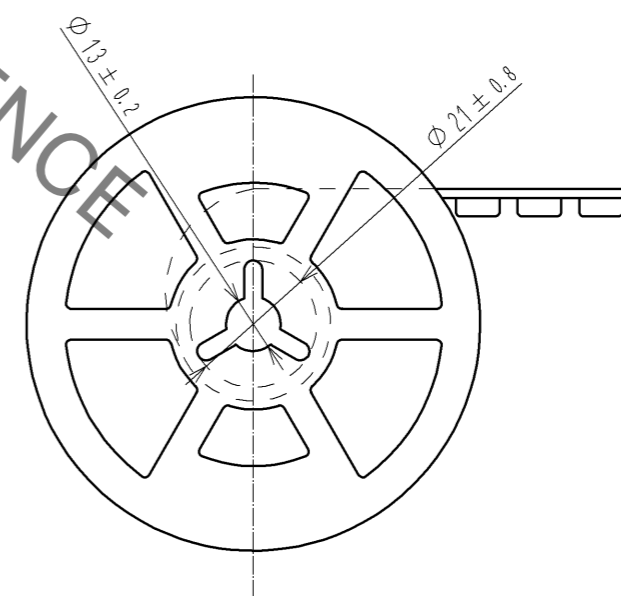
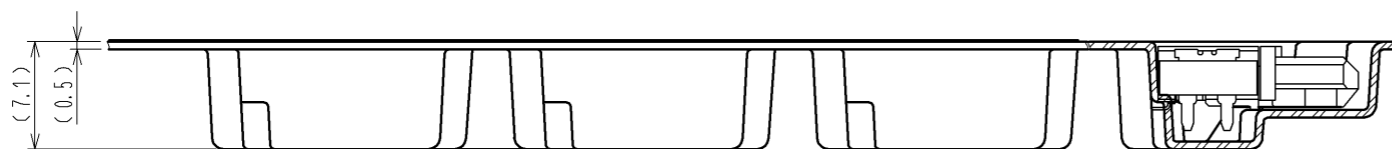
Jan.1.2022 Copyright 2022 HIROSE ELECTRIC CO., LTD. All Rights Reserved.
 In case of consideration for using Automotive equipment / device which demand high reliability, kindly contact our sales window correspondents.

4 DRAWING FOR PACKING

The direction of pulling out →



REELING DIMENSION (No scale)



HRS	図番:	EDC3-352596-00	
	製品名:	FX22-40P-0.5SH	
	製品コード:	CL572-3001-4-00	