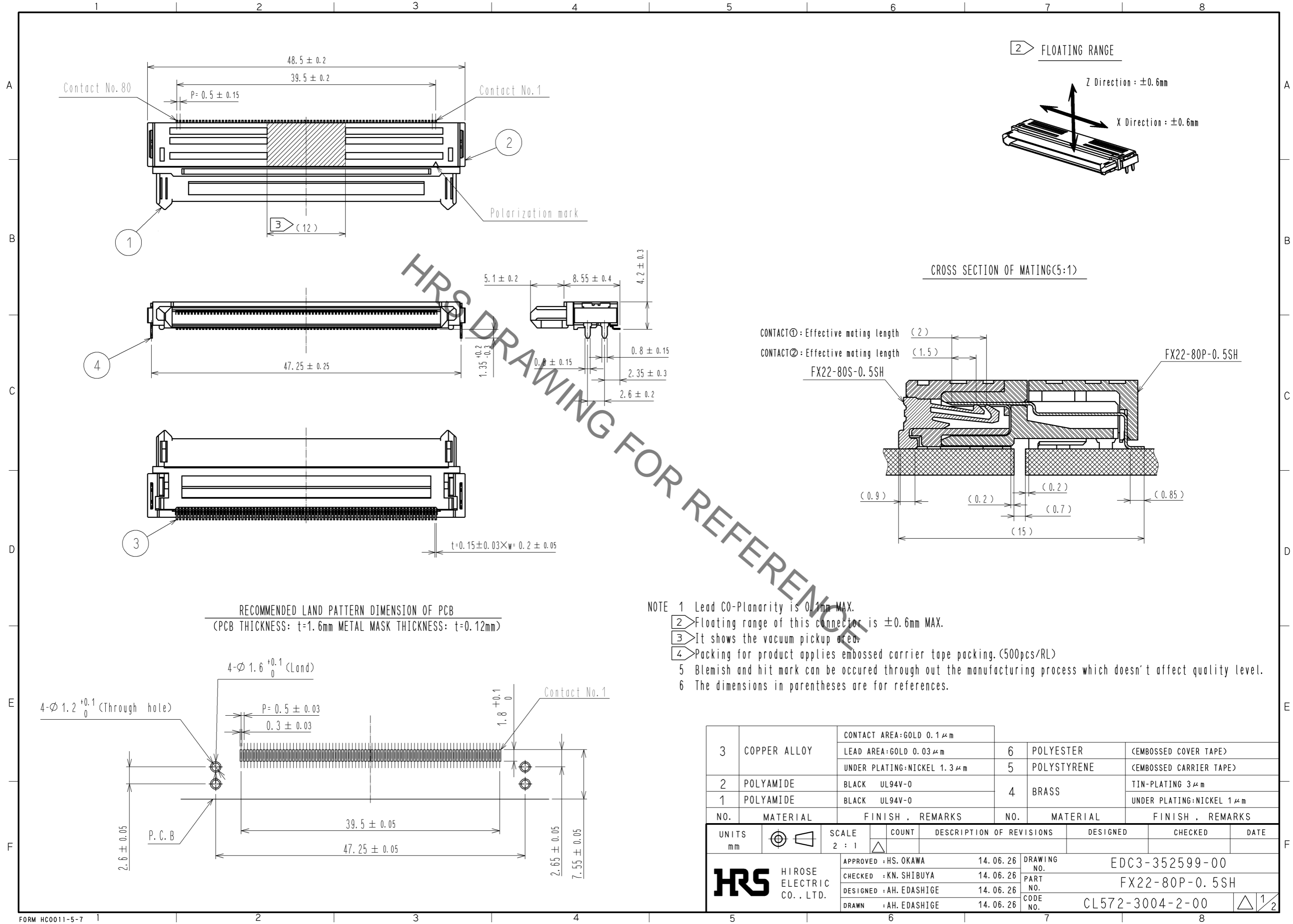
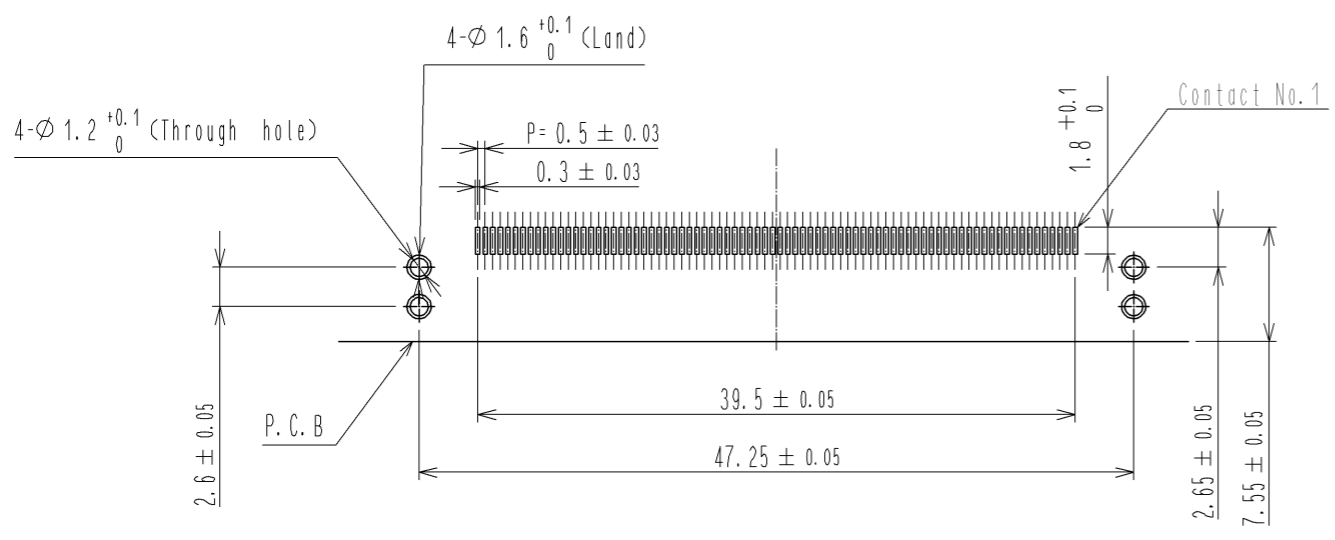


Jan.1.2022 Copyright 2022 HIROSE ELECTRIC CO., LTD. All Rights Reserved.  
In case of consideration for using Automotive equipment / device which demand high reliability, kindly contact our sales window correspondents.



RECOMMENDED LAND PATTERN DIMENSION OF PCB  
(PCB THICKNESS: t=1.6mm METAL MASK THICKNESS: t=0.12mm)

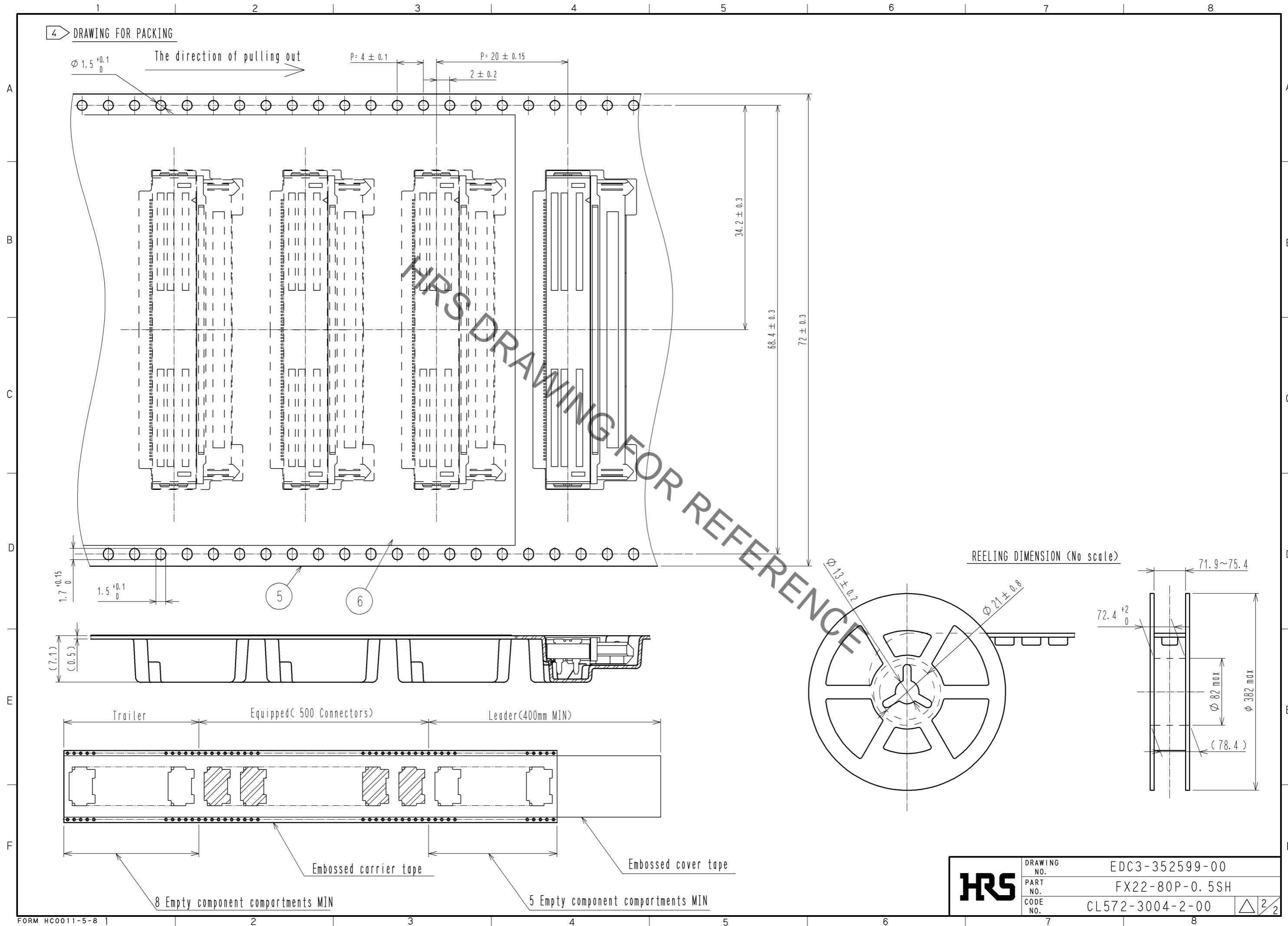


- NOTE 1 Lead CO-Planarity is 0.1mm MAX.  
 2 Floating range of this connector is ±0.6mm MAX.  
 3 It shows the vacuum pickup area.  
 4 Packing for product applies embossed carrier tape packing. (500pcs/RL)  
 5 Blemish and hit mark can be occurred through out the manufacturing process which doesn't affect quality level.  
 6 The dimensions in parentheses are for references.

3	COPPER ALLOY	CONTACT AREA:GOLD 0.1 μm	6	POLYESTER	(EMBOSSSED COVER TAPE)
		LEAD AREA:GOLD 0.03 μm	5	POLYSTYRENE	(EMBOSSSED CARRIER TAPE)
		UNDER PLATING:NICKEL 1.3 μm	4	BRASS	TIN-PLATING 3 μm
2	POLYAMIDE	BLACK UL94V-0			UNDER PLATING:NICKEL 1 μm
1	POLYAMIDE	BLACK UL94V-0			
NO.	MATERIAL	FINISH . REMARKS	NO.	MATERIAL	FINISH . REMARKS
UNITS mm		SCALE 2 : 1	COUNT		DESCRIPTION OF REVISIONS
DESIGNED		CHECKED		DATE	
APPROVED : HS. OKAWA		14.06.26		DRAWING NO. EDC3-352599-00	
CHECKED : KN. SHIBUYA		14.06.26		PART NO. FX22-80P-0.5SH	
DESIGNED : AH. EDASHIGE		14.06.26		CODE NO. CL572-3004-2-00	
DRAWN : AH. EDASHIGE		14.06.26		1/2	

Jan.1.2022 Copyright 2022 HIROSE ELECTRIC CO., LTD. All Rights Reserved.  
 In case of consideration for using Automotive equipment / device which demand high reliability, kindly contact our sales window correspondents.

4 DRAWING FOR PACKING



<b>HRS</b>	DRAWING NO.	EDC3-352599-00
	PART NO.	FX22-80P-0.5SH
	CODE NO.	CL572-3004-2-00
		$\triangle 2/2$