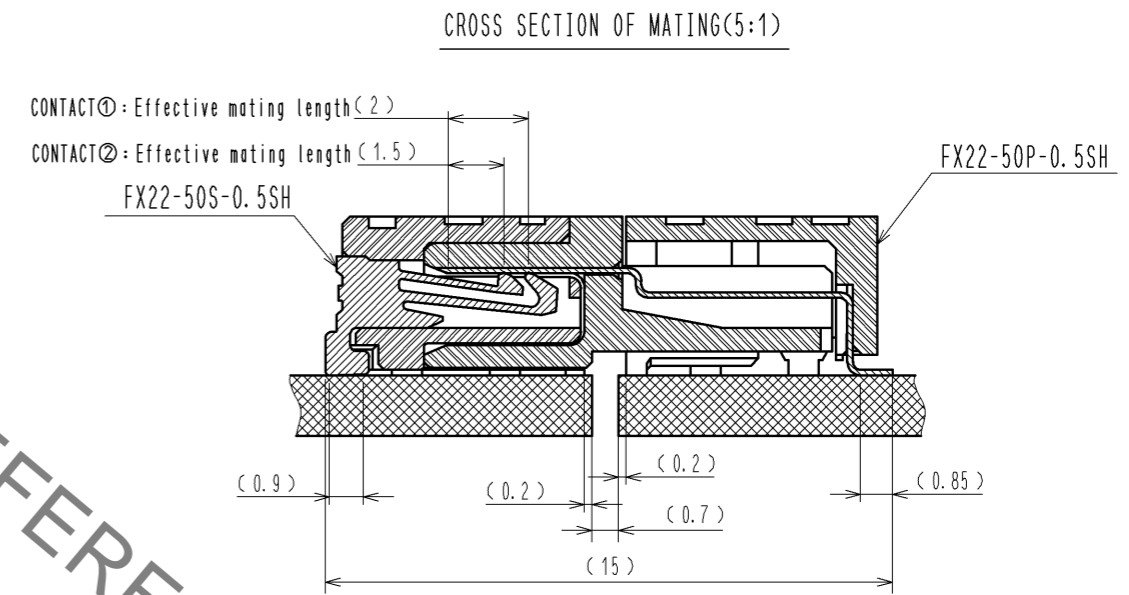
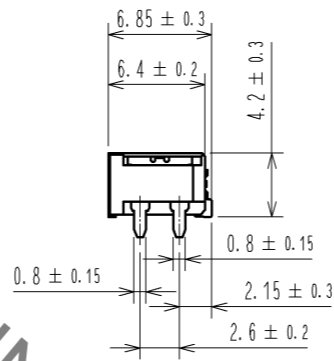
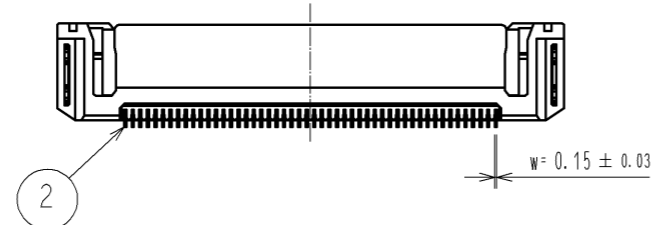
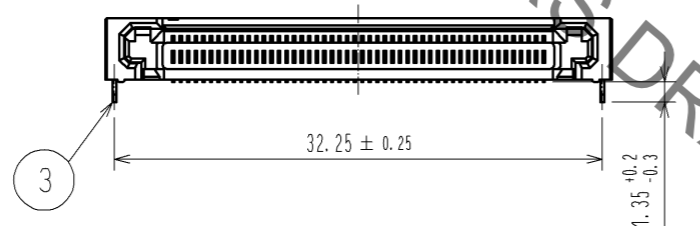
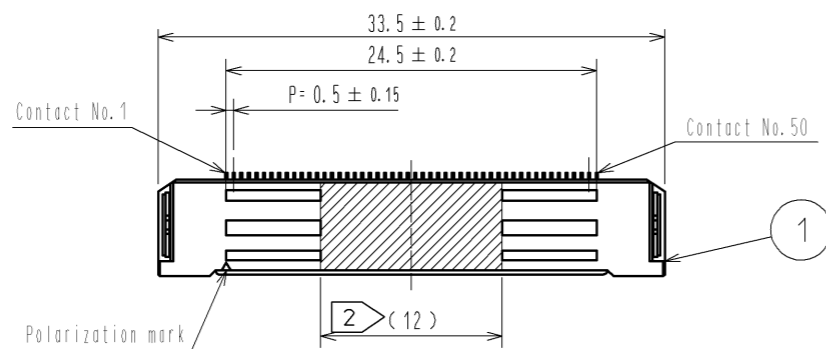
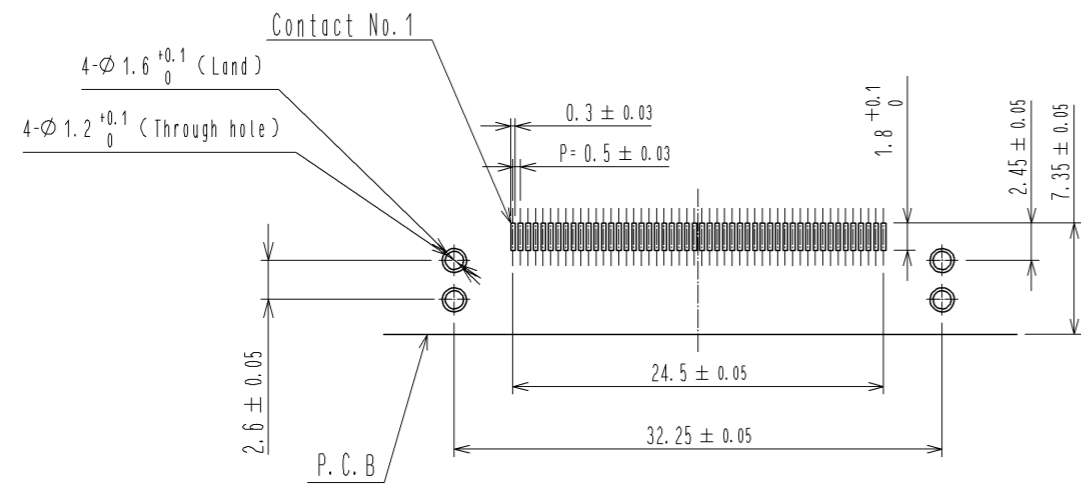


Jan.1.2022 Copyright 2022 HIROSE ELECTRIC CO., LTD. All Rights Reserved.
In case of consideration for using Automotive equipment / device which demand high reliability, kindly contact our sales window correspondents.



RECOMMENDED LAND PATTERN DIMENSION OF PCB
(PCB THICKNESS: t=1.6mm METAL MASK THICKNESS: t=0.12mm)



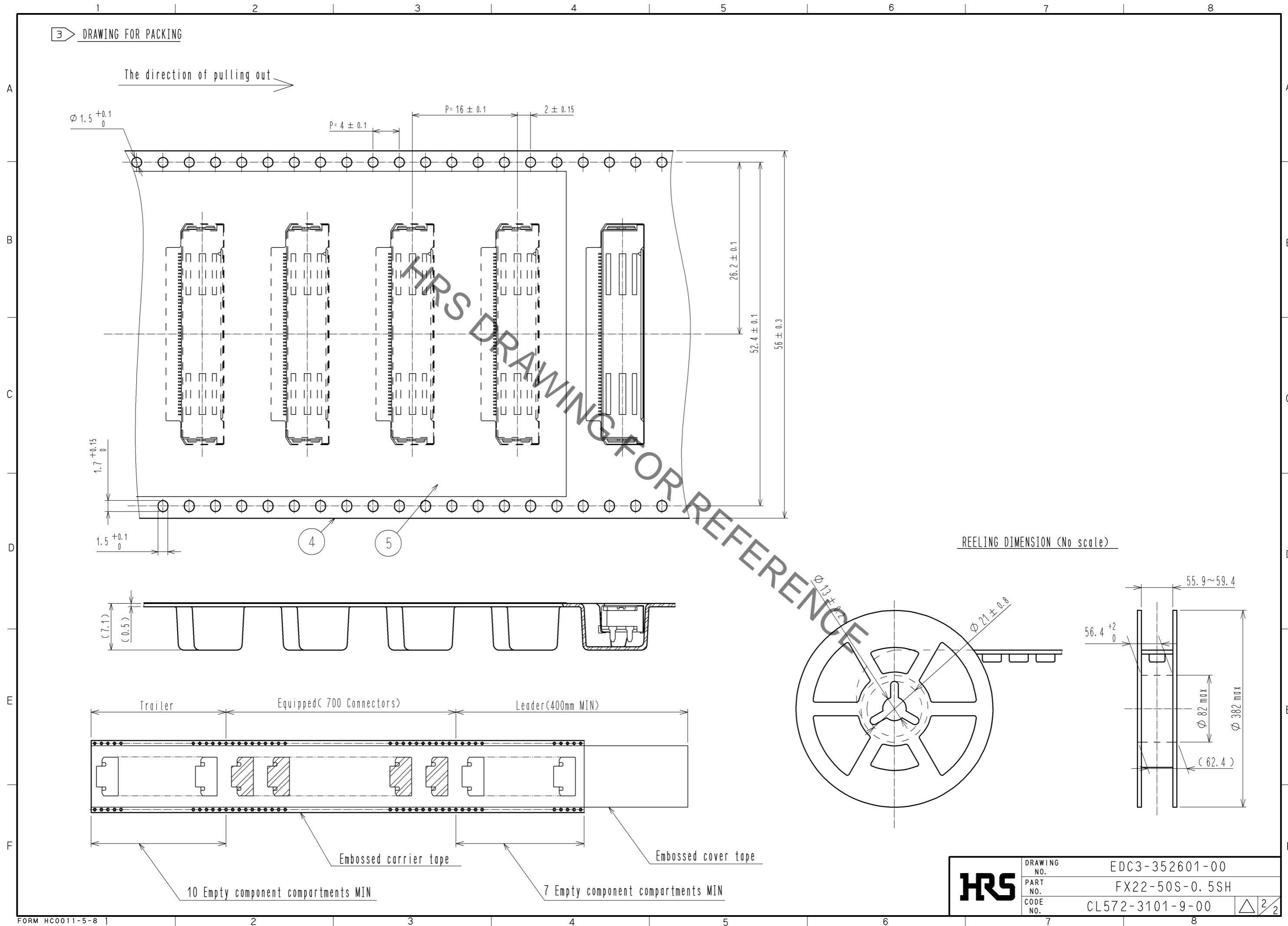
HRS DRAWING FOR REFERENCE

- NOTE 1 Lead CO-Planarity is 0.1mm MAX.
 2 It shows the vacuum pickup area.
 3 Packing for product applies embossed carrier tape packing. (700pcs/RL)
 4 Blemish and hit mark can be occurred through out the manufacturing process which doesn't affect quality level.
 5 The dimensions in parentheses are for references.

3	COPPER ALLOY	CONTACT AREA: GOLD 0.1 μm	5	POLYESTER	(EMBOSSSED COVER TAPE)			
		LEAD AREA: GOLD 0.03 μm	4	POLYSTYRENE	(EMBOSSSED CARRIER TAPE)			
		UNDER PLATING: NICKEL 1.3 μm	3	BRASS	TIN-PLATING 3 μm			
1	LCP	BLACK UL94V-0			UNDER PLATING: NICKEL 1 μm			
NO.	MATERIAL	FINISH . REMARKS	NO.	MATERIAL	FINISH . REMARKS			
UNITS mm		SCALE 2 : 1	COUNT 	DESCRIPTION OF REVISIONS		DESIGNED	CHECKED	DATE
HRS HIROSE ELECTRIC CO., LTD.		APPROVED : HS. OKAWA	14.07.07	DRAWING NO.		EDC3-352601-00		
		CHECKED : KN. SHIBUYA	14.07.07	PART NO.		FX22-50S-0.5SH		
		DESIGNED : AH. EDASHIGE	14.07.07	CODE NO.		CL572-3101-9-00		
		DRAWN : AH. EDASHIGE	14.07.07					

Jan.1.2022 Copyright 2022 HIROSE ELECTRIC CO., LTD. All Rights Reserved.
 In case of consideration for using Automotive equipment / device which demand high reliability, kindly contact our sales window correspondents.

3 DRAWING FOR PACKING



REELING DIMENSION (No scale)

HRS	DRAWING NO.	EDC3-352601-00
	PART NO.	FX22-50S-0.5SH
	CODE NO.	CL572-3101-9-00
		\triangle 2/2