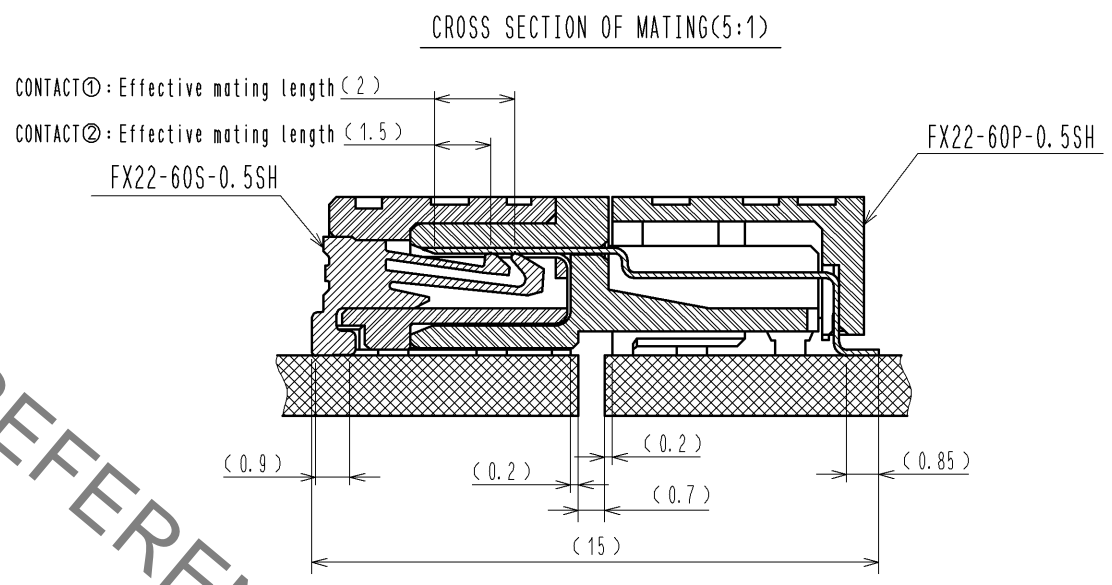
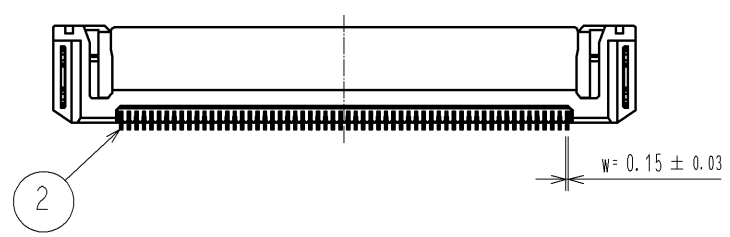
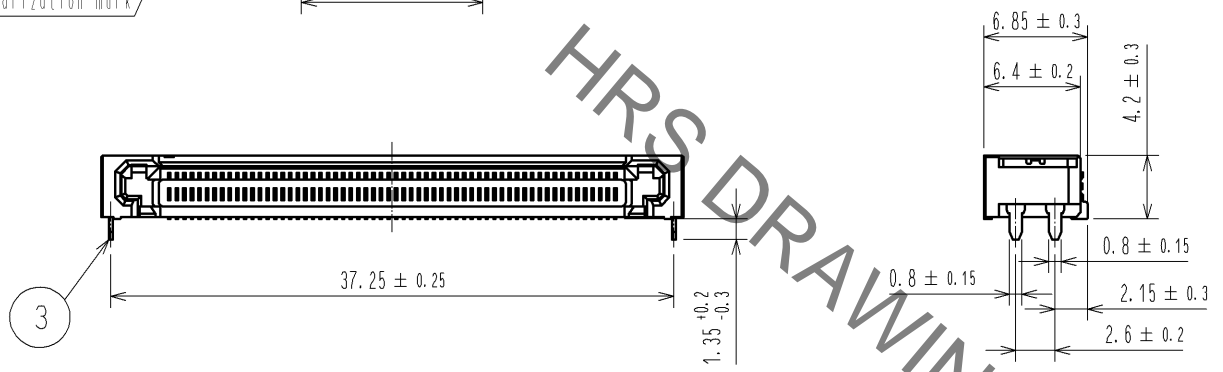
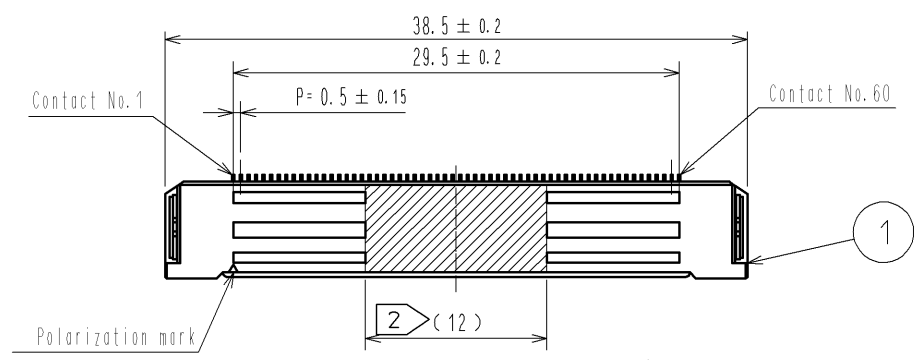
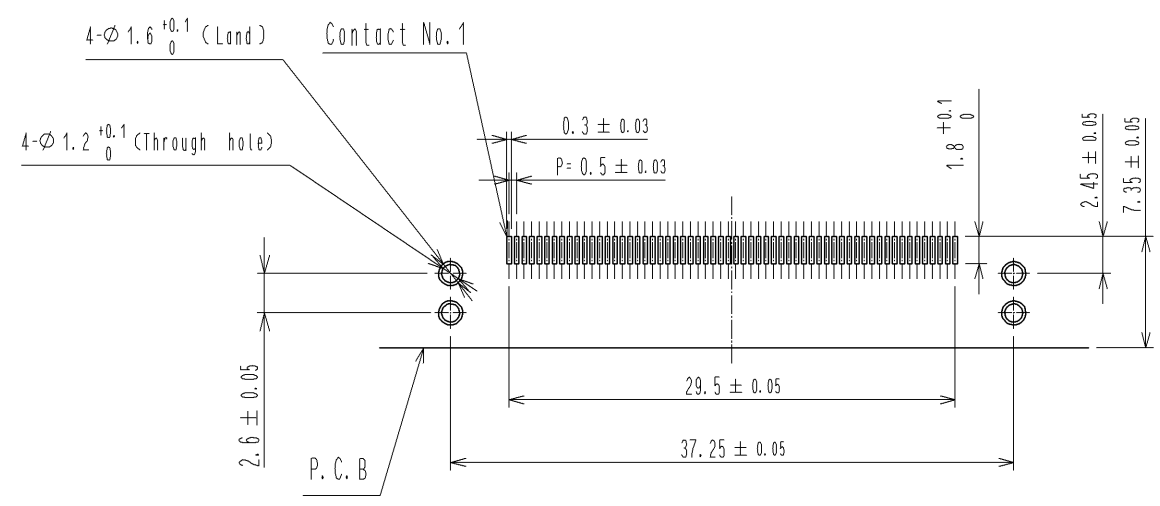


Jan.1.2022 Copyright 2022 HIROSE ELECTRIC CO., LTD. All Rights Reserved.
In case of consideration for using Automotive equipment / device which demand high reliability, kindly contact our sales window correspondents.



RECOMMENDED LAND PATTERN DIMENSION OF PCB
(PCB THICKNESS: t=1.6mm METAL MASK THICKNESS: t=0.12mm)



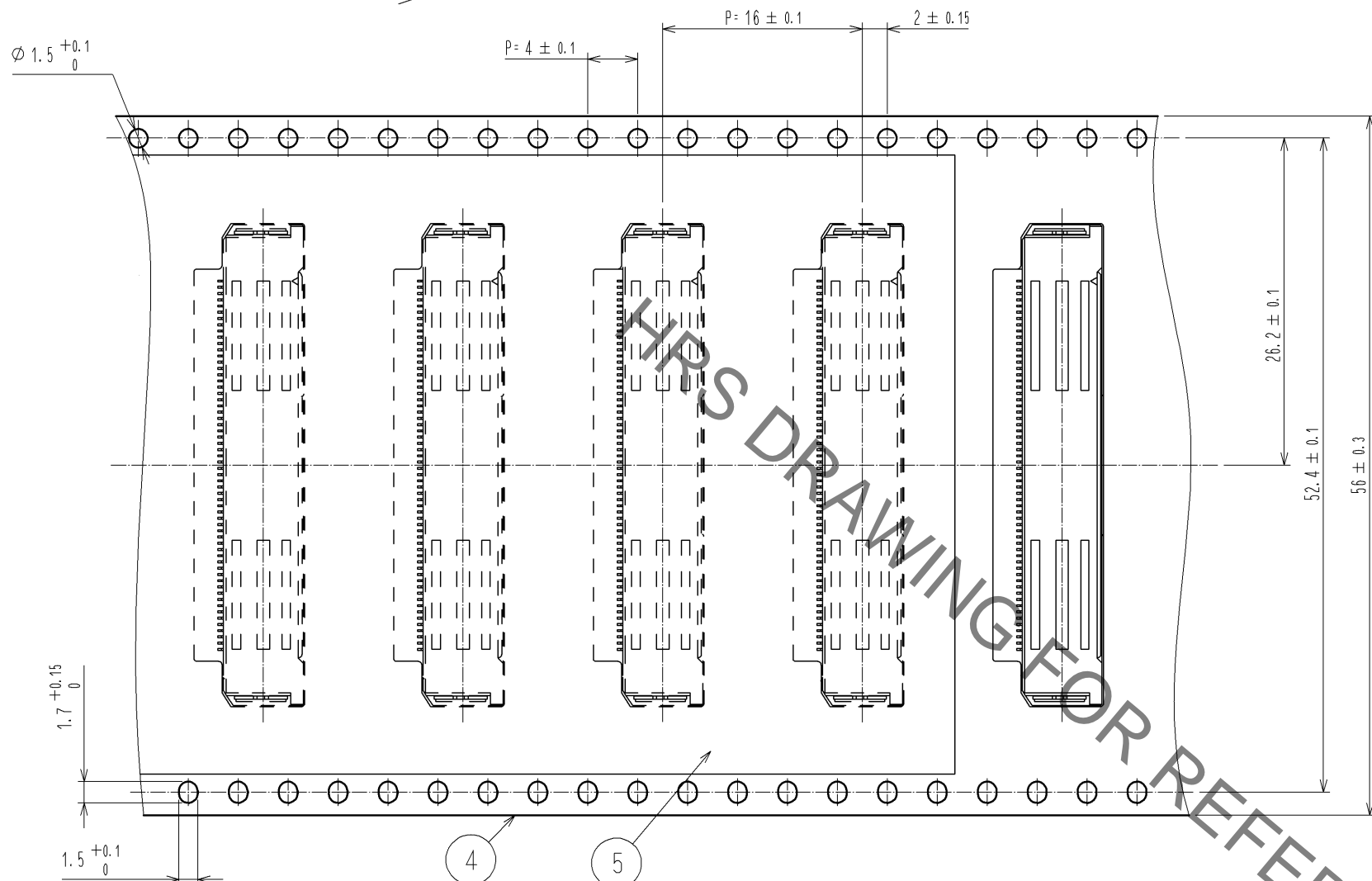
- NOTE 1 Lead CO-Planarity is 0.1mm MAX.
 2 It shows the vacuum pickup area.
 3 Packing for product applies embossed carrier tape packing. (700pcs/RL)
 4 Blemish and hit mark can be occurred through out the manufacturing process which doesn't affect quality level.
 5 The dimensions in parentheses are for references.

3	COPPER ALLOY	CONTACT AREA:GOLD 0.1 μm	5	POLYESTER	(EMBOSSSED COVER TAPE)
		LEAD AREA:GOLD 0.03 μm	4	POLYSTYRENE	(EMBOSSSED CARRIER TAPE)
		UNDER PLATING:NICKEL 1.3 μm	3	BRASS	TIN-PLATING 3 μm
1	LCP	BLACK UL94V-0			UNDER PLATING:NICKEL 1 μm
NO.	MATERIAL	FINISH . REMARKS	NO.	MATERIAL	FINISH . REMARKS
UNITS mm		SCALE 2 : 1	COUNT 	DESCRIPTION OF REVISIONS	
HRS HIROSE ELECTRIC CO., LTD.		APPROVED : HS. OKAWA 14. 07. 07	DESIGNED	DRAWING NO. EDC3-352602-00	
		CHECKED : KN. SHIBUYA 14. 07. 07	CHECKED	PART NO. FX22-60S-0. 5SH	
		DESIGNED : AH. EDASHIGE 14. 07. 07	DESIGNED	CODE NO. CL572-3102-1-00	
		DRAWN : AH. EDASHIGE 14. 07. 07	DRAWN	DATE	

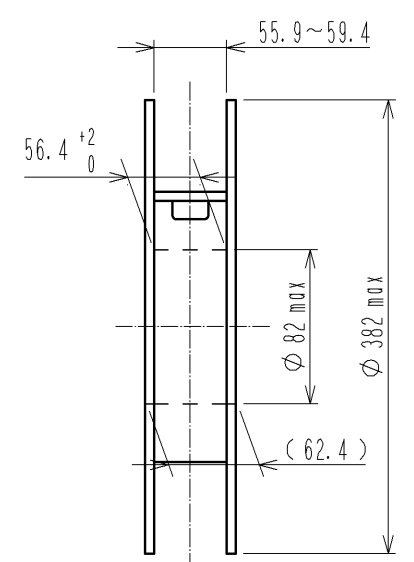
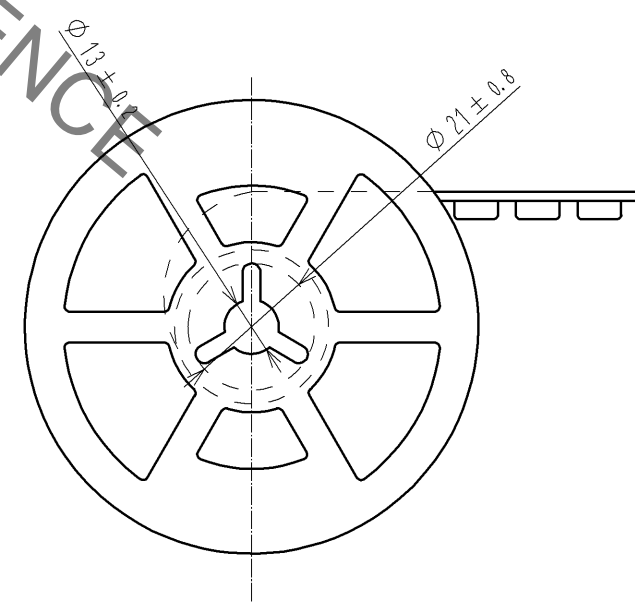
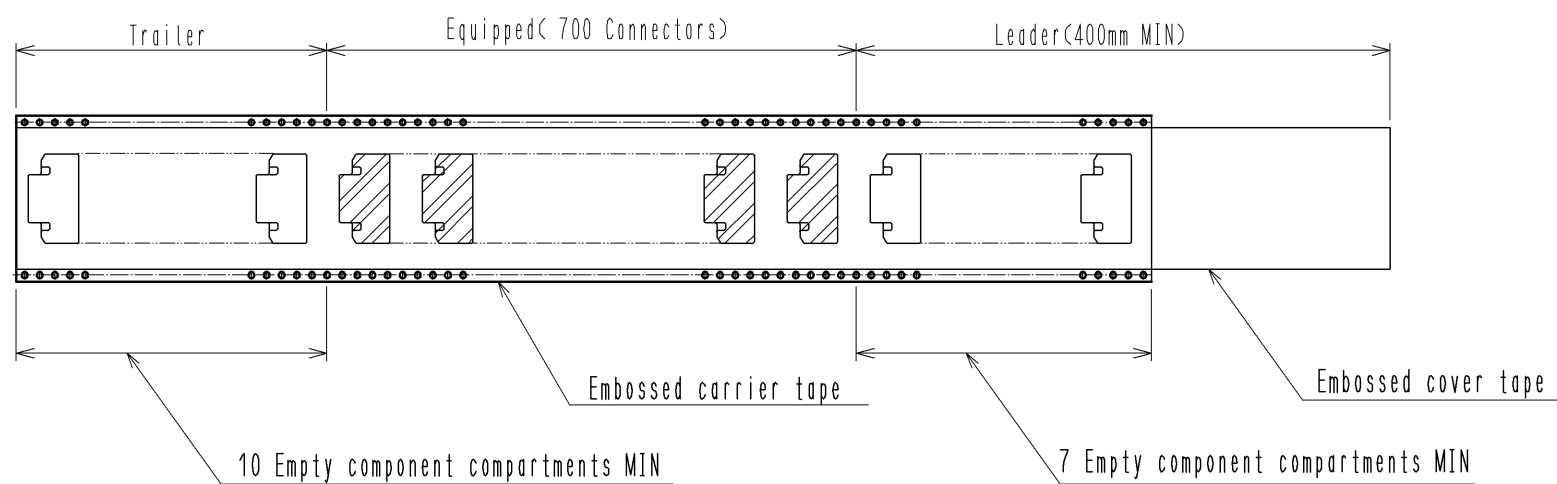
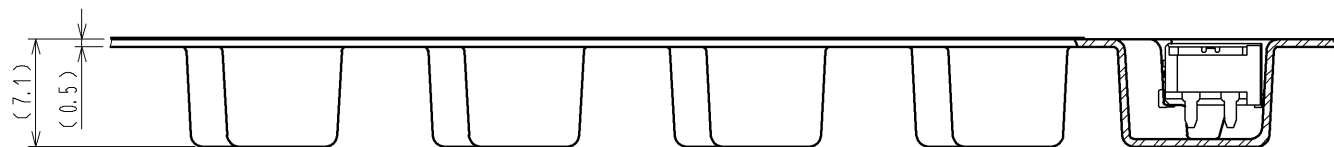
Jan.1.2022 Copyright 2022 HIROSE ELECTRIC CO., LTD. All Rights Reserved.
 In case of consideration for using Automotive equipment / device which demand high reliability, kindly contact our sales window correspondents.

3 DRAWING FOR PACKING

The direction of pulling out →



REELING DIMENSION (No scale)



HRS	DRAWING NO.	EDC3-352602-00	\triangle 2/2
	PART NO.	FX22-60S-0.5SH	
	CODE NO.	CL572-3102-1-00	