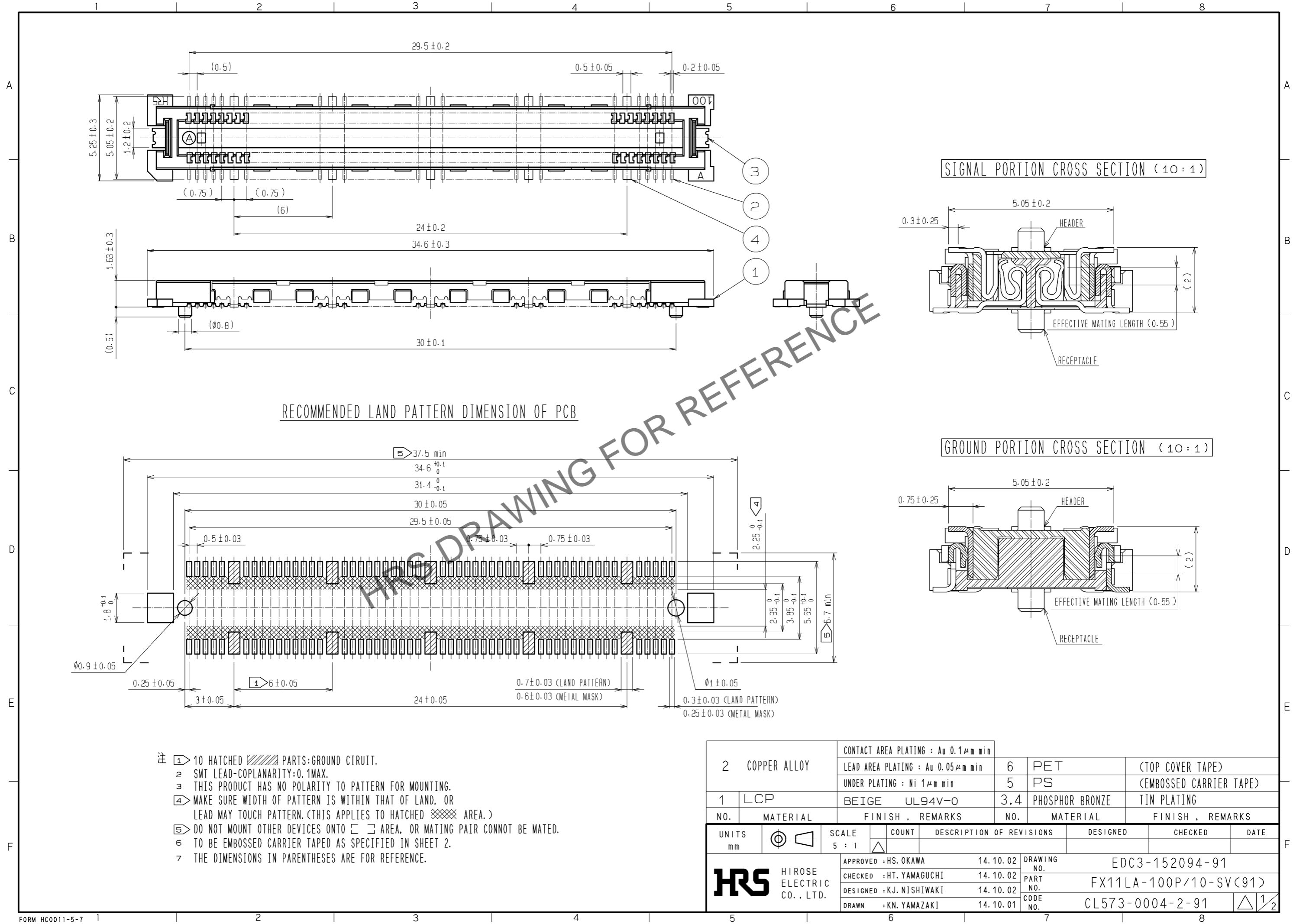


Apr.1.2025 Copyright 2025 HIROSE ELECTRIC CO., LTD. All Rights Reserved.  
In case of consideration for using Automotive equipment / device which demand high reliability, kindly contact our sales window correspondents.



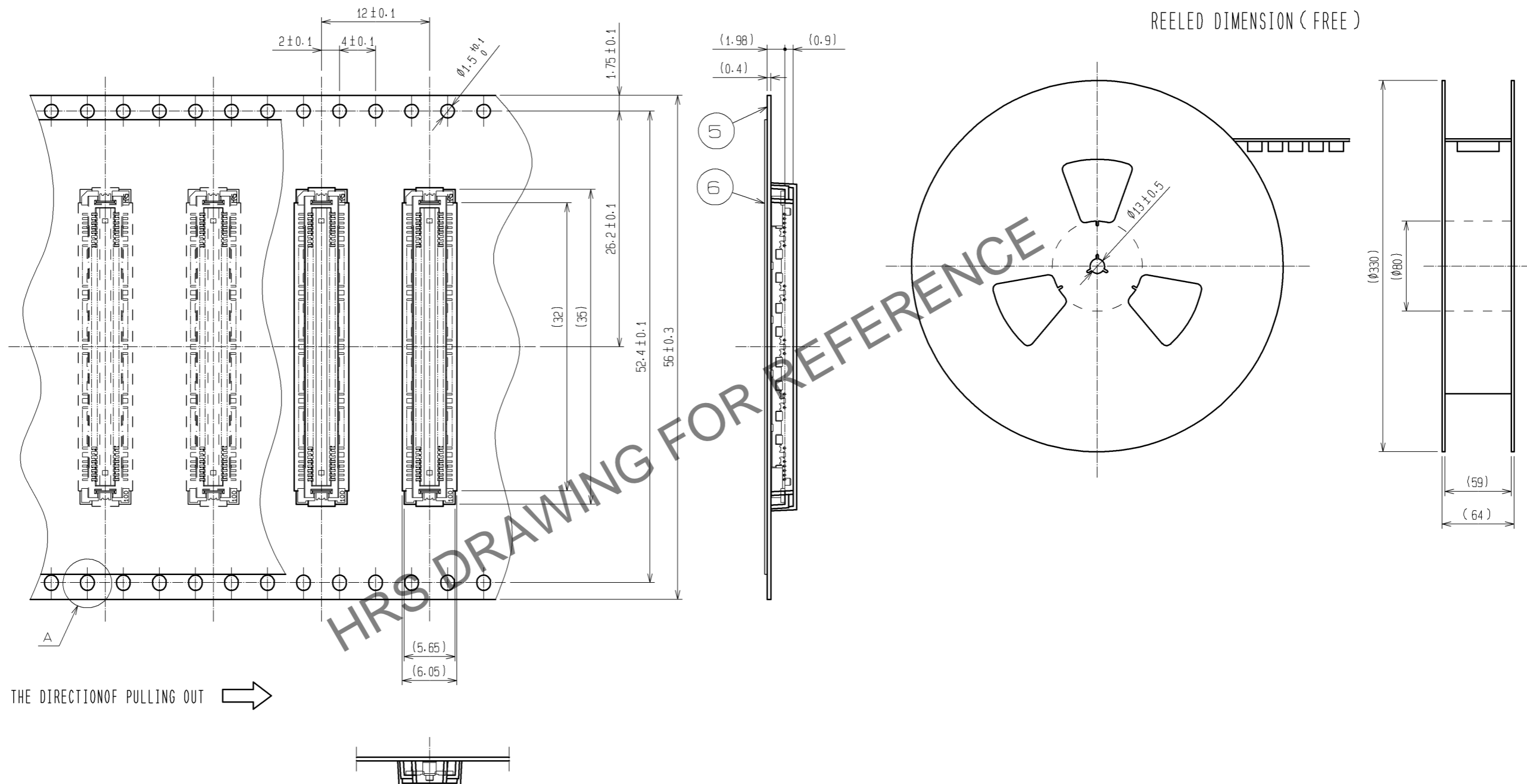
RECOMMENDED LAND PATTERN DIMENSION OF PCB

- 注 ① 10 HATCHED PARTS:GROUND CIRUIT.  
 ② SMT LEAD-COPLANARITY:0.1MAX.  
 ③ THIS PRODUCT HAS NO POLARITY TO PATTERN FOR MOUNTING.  
 ④ MAKE SURE WIDTH OF PATTERN IS WITHIN THAT OF LAND, OR LEAD MAY TOUCH PATTERN.(THIS APPLIES TO HATCHED AREA.)  
 ⑤ DO NOT MOUNT OTHER DEVICES ONTO AREA, OR MATING PAIR CANNOT BE MATED.  
 ⑥ TO BE EMBOSSED CARRIER TAPED AS SPECIFIED IN SHEET 2.  
 ⑦ THE DIMENSIONS IN PARENTHESES ARE FOR REFERENCE.

2 COPPER ALLOY		CONTACT AREA PLATING : Au 0.1μm min		6 PET		(TOP COVER TAPE)	
		LEAD AREA PLATING : Au 0.05μm min		5 PS		(EMBOSSED CARRIER TAPE)	
		UNDER PLATING : Ni 1μm min		3,4 PHOSPHOR BRONZE		TIN PLATING	
1	LCP	BEIGE	UL94V-0				
NO.	MATERIAL	FINISH . REMARKS		NO.	MATERIAL	FINISH . REMARKS	
UNITS mm		SCALE 5 : 1	COUNT	DESCRIPTION OF REVISIONS		DESIGNED	CHECKED
HRS HIROSE ELECTRIC CO., LTD.		APPROVED : HS. OKAWA	14.10.02	DRAWING NO. EDC3-152094-91			
		CHECKED : HT. YAMAGUCHI	14.10.02	PART NO. FX11LA-100P/10-SV(91)			
		DESIGNED : KJ. NISHIWAKI	14.10.02	CODE NO. CL573-0004-2-91			
		DRAWN : KN. YAMAZAKI	14.10.01				

Apr.1.2025 Copyright 2025 HIROSE ELECTRIC CO., LTD. All Rights Reserved.  
 In case of consideration for using Automotive equipment / device which demand high reliability, kindly contact our sales window correspondents.

# DRAWING FOR PACKING ( 2:1 )



HRS DRAWING FOR REFERENCE

- 注 1 REEL:1000 CONNECTORS.
- 2 MINIMUM 10 COMPARTMENTS FROM BOTH REEL ENDS REMAIN EMPTY
- 3 THIS PRODUCT HAS NO POLABILITY TO TAPE AND REEL PACKAGING.
- 4 THE DIMENSIONS IN PARENTHESES ARE FOR REFERENCE.

<b>HRS</b>	DRAWING NO.	EDC3-152094-91	
	PART NO.	FX11LA-100P/10-SV(91)	
	CODE NO.	CL573-0004-2-91	△ 2/2