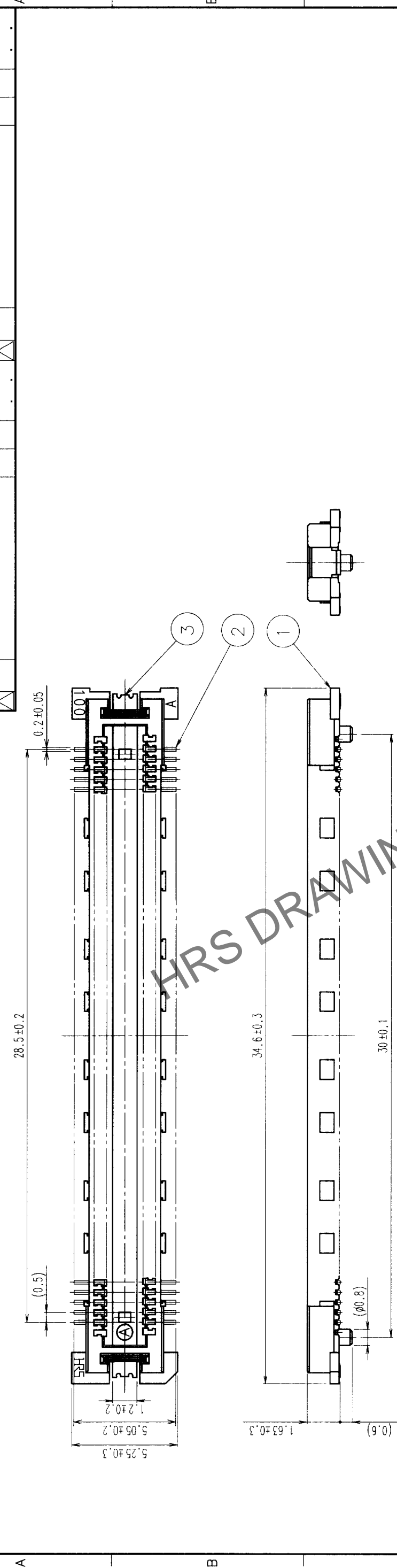
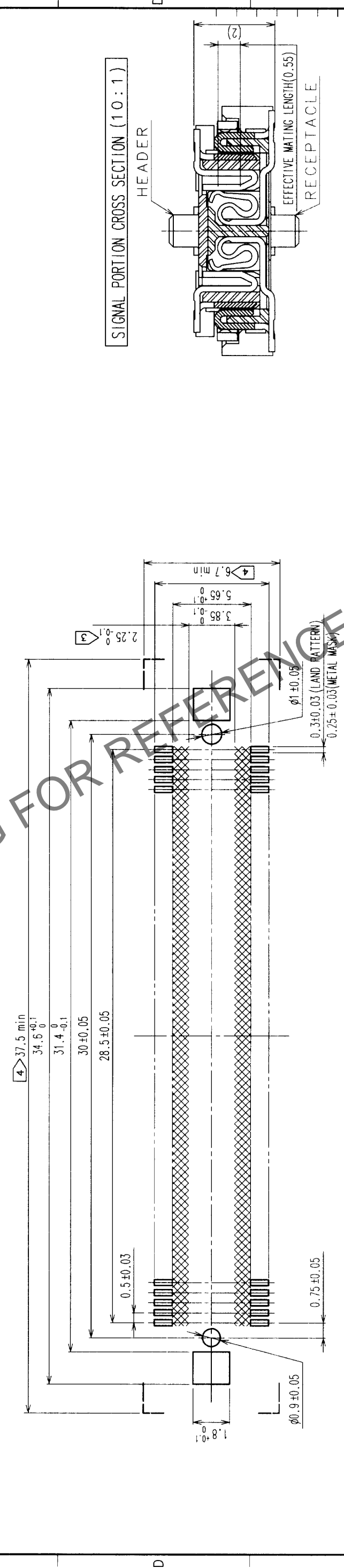


COUNT	DESCRIPTION OF REVISIONS	BY	CHKD	DATE	COUNT	DESCRIPTION OF REVISIONS	BY	CHKD	DATE
△					△				
△					△				
△					△				



RECOMMENDED LAND PATTERN DIMENSION OF PCB



2	COPPER ALLOY	CONTACT AREA: GOLD (0.1μm) OVER NICKEL LEAD: GOLD FLASH OVER NICKEL
1	LCP	BEIGE UL94V-0
NO.	MATERIAL	FINISH, REMARKS
	CL	
	CODE NO. (OLD)	DRAWN
		<i>Hirose</i>
		99.10.28
		99.10.28
		99.10.28

3	PHOSPHOR BRONZE	TIN PLATED
	DESIGNED	CHECKED
	<i>Hirose</i>	<i>Hirose</i>
	99.10.28	99.10.28
	99.10.28	99.10.28
	99.10.28	99.10.28

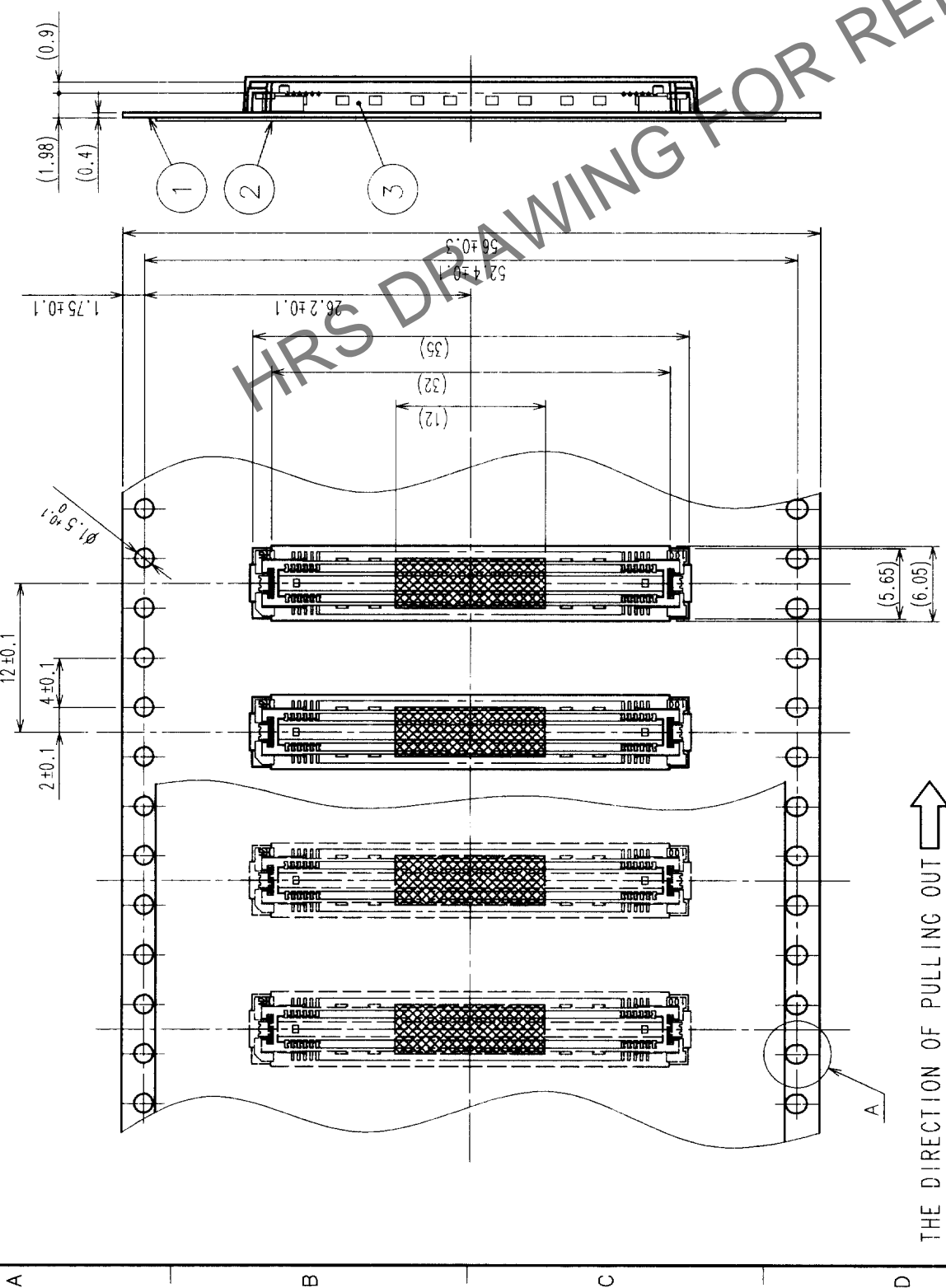
	DRAWING NO.	PART NO.
	EDC3-152102-02	FX11LA-116P-SV (22)
	SCALE	CODE NO.
	5 : 1	CL573-0044-7-22
	UNITS	
	mm	

- NOTES
- SMT LEAD-COPLANARITY: 0.1 MAX.
 - THIS PRODUCT HAS NO POLARITY TO PATTERN FOR MOUNTING.
 - MAKE SURE WIDTH OF PATTERN IS WITHIN THAT OF LAND, OR LEAD MAY TOUCH PATTERN. (THIS APPLIES TO HATCHED AREA.)
 - DO NOT MOUNT OTHER DEVICES ONTO [] AREA, OR MATING PAIR CANNOT BE MATED.
 - TO BE EMBOSSED CARRIER TAPED AS SPECIFIED IN SHEET 2.

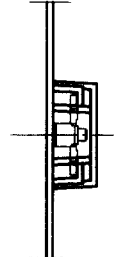
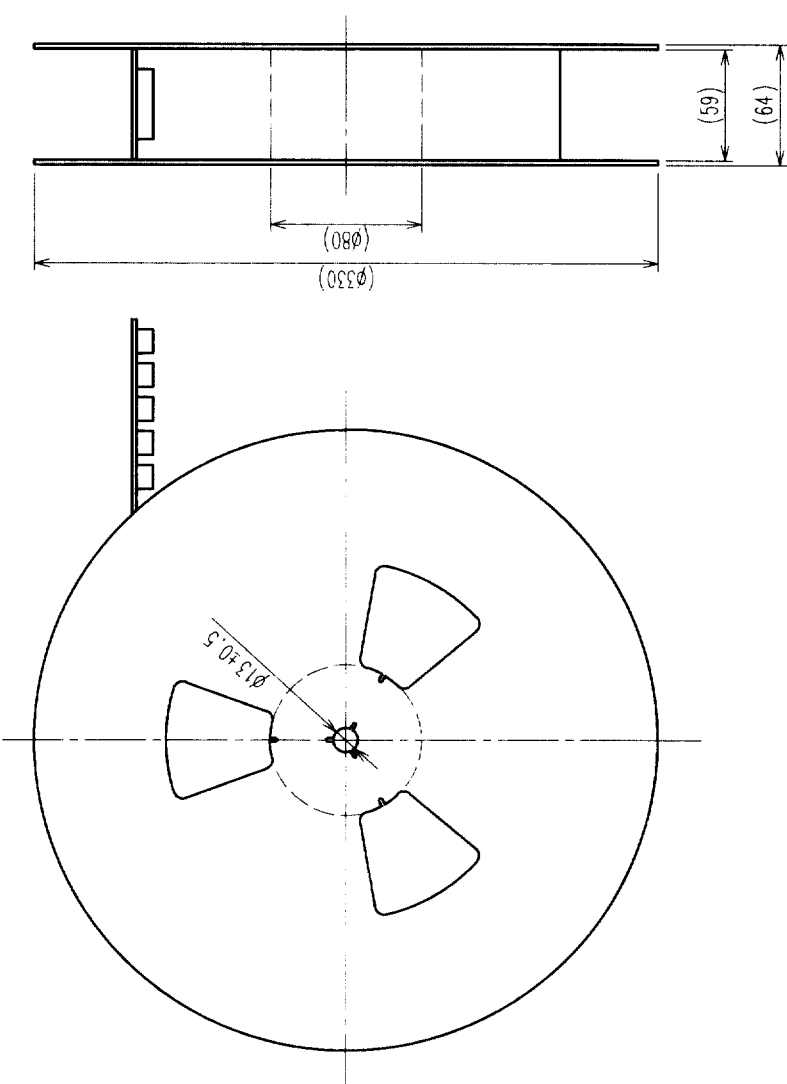
TO	
PCK	

In case of consideration for using Automotive equipment / device which demand high reliability, kindly contact our sales window correspondents.

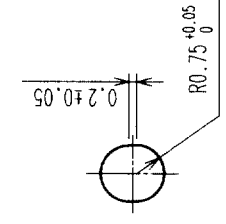
COUNT	DESCRIPTION OF REVISIONS	BY	CHKD	DATE	COUNT	DESCRIPTION OF REVISIONS	BY	CHKD	DATE
△									
△									
△									



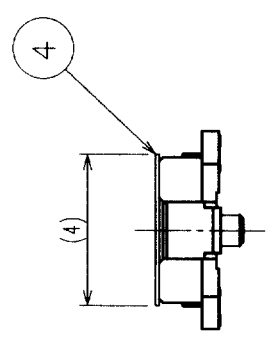
REELED DIMENSION (Free)



A (5:1)



DETAIL FOR VACUUM PICKUP (5:1)



- NOTES
- 1 REEL: 1000 CONNECTORS.
 - 2 MINIMUM 10 COMPARTMENTS FROM BOTH REEL ENDS REMAIN EMPTY.
 - 3 THIS PRODUCT HAS NO POLARITY TO TAPE AND REEL PACKAGING.

2	PET	TOP COVER TAPE	4	POLYIMIDE	(TAPE FOR VACUUM PICKUP)
1	PS	EMBOSSED CARRIER TAPE	3	(CONNECTOR)	
NO.	MATERIAL	FINISH, REMARKS	NO.	MATERIAL	FINISH, REMARKS
CODE NO. (OLD) CL					
DRAWING FOR PACKING		DRAWN <i>M. Saito</i> 99.10.27		DESIGNED <i>M. Saito</i> 99.10.27	CHECKED <i>M. Saito</i> 99.10.28
DRAWING NO. EDC3-152102-02		PART NO. FX11LA-116P-SV(22)		APPROVED <i>M. Saito</i> 99.10.28	RELEASED
SCALE 2 : 1		CODE NO. CL573-0044-7-22		UNITS mm	

TO	
PCK	