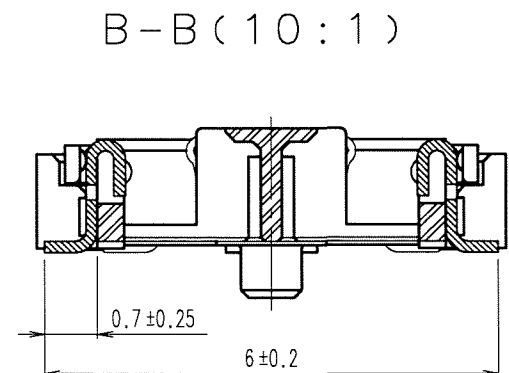
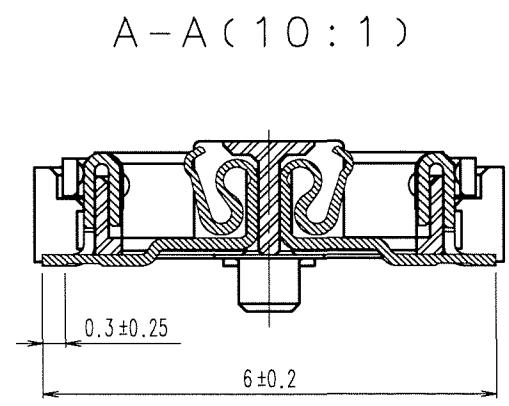
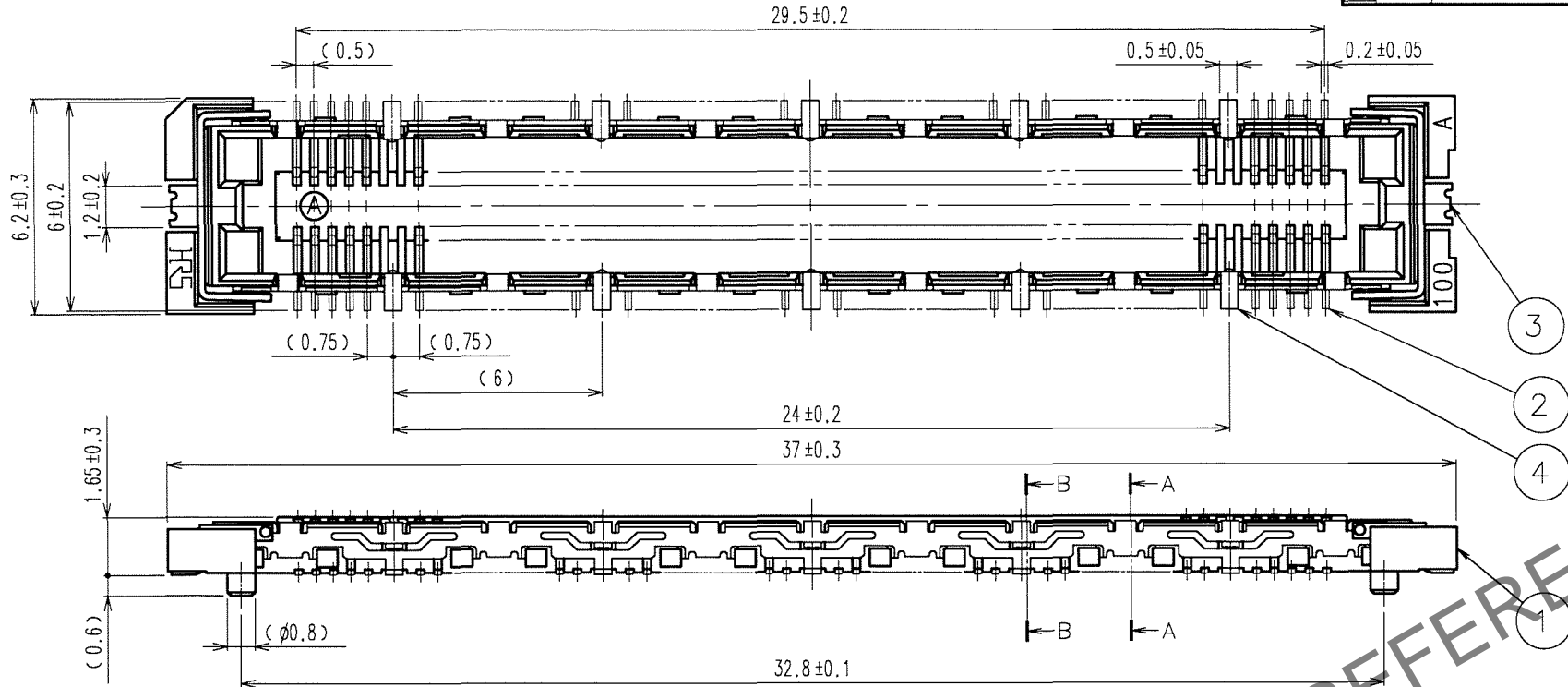
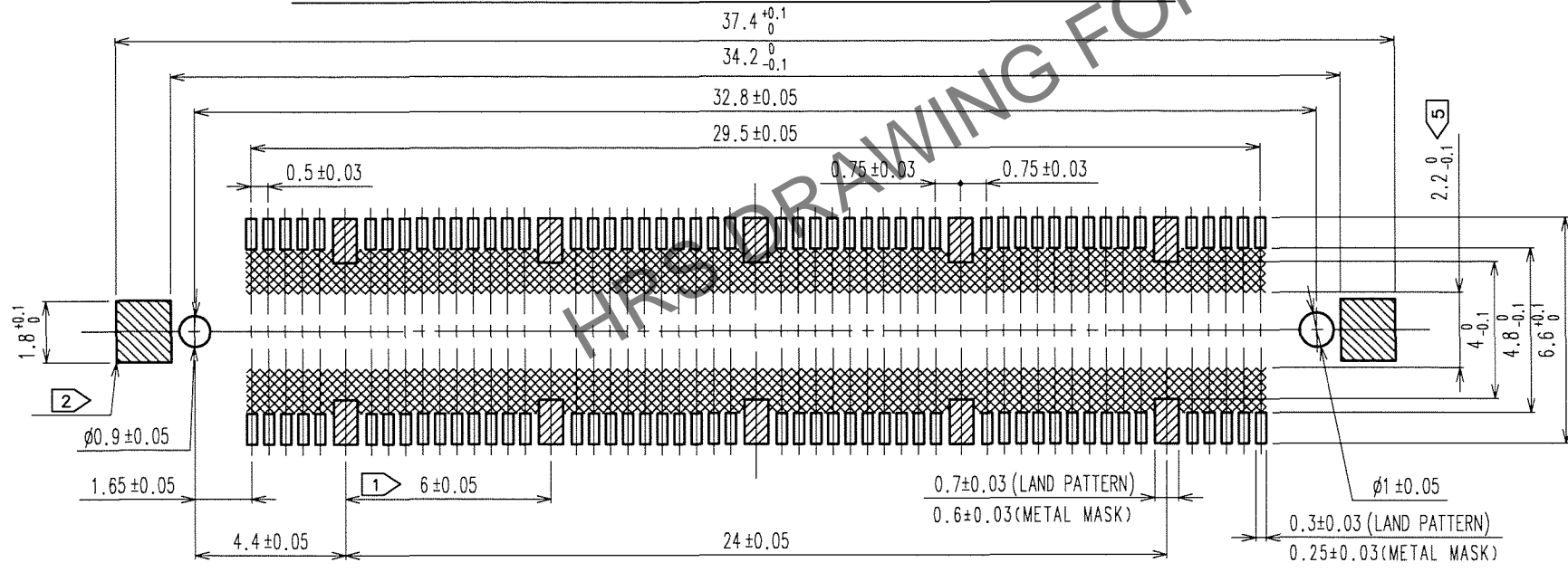


May.1.2025 Copyright 2025 HIROSE ELECTRIC CO., LTD. All Rights Reserved.  
 In case of consideration for using Automotive equipment / device which demand high reliability, kindly contact our sales window correspondents.

COUNT	DESCRIPTION OF REVISIONS	BY	CHKD	DATE	COUNT	DESCRIPTION OF REVISIONS	BY	CHKD	DATE



RECOMMENDED LAND PATTERN DIMENSION OF PCB



NO.	MATERIAL	FINISH, REMARKS
4	PHOSPHOR BRONZE	TIN PLATING
3	PHOSPHOR BRONZE	TIN PLATING
2	PHOSPHOR BRONZE	CONTACT AREA : GOLD 0.1μ m min. LEAD AREA : GOLD FLASH UNDER PLATING : NICKEL 1μ m min.

1	LCP	BEIGE	UL94V-0	NO.	MATERIAL	FINISH, REMARKS
CL						
CODE NO. (OLD)	DRAWN	DESIGNED	CHECKED	APPROVED	RELEASED	
CL	S. KAMIGA					
	06.04.24	'06.04.26	'06.04.27	'06.04.27		
SCALE	DRAWING NO.		PART NO.			
5 : 1	EDC3-152110-25		FX11LA-100S/10-SV(71)			
UNITS	DRAWING NO.		PART NO.			
mm	HRS HIROSE ELECTRIC CO., LTD.		CODE NO.			
			CL573-0104-7-71			

- NOTES
- ① 10 HATCHED [diagonal lines] PARTS: GROUND CIRCUIT.
  - ② 2 HATCHED [cross-hatch] PARTS: GROUND CIRCUIT.
  - ③ SMT LEAD-COPLANARITY: 0.1 MAX.
  - ④ THIS PRODUCT HAS NO POLARITY TO PATTERN FOR MOUNTING.
  - ⑤ MAKE SURE WIDTH OF PATTERN IS WITHIN THAT OF LAND, OR LEAD MAY TOUCH PATTERN. (THIS APPLIES TO HATCHED [cross-hatch] AREA.)
  - ⑥ THE DIMENSIONS IN PARENTHESES ARE FOR REFERENCE.

TO PCK