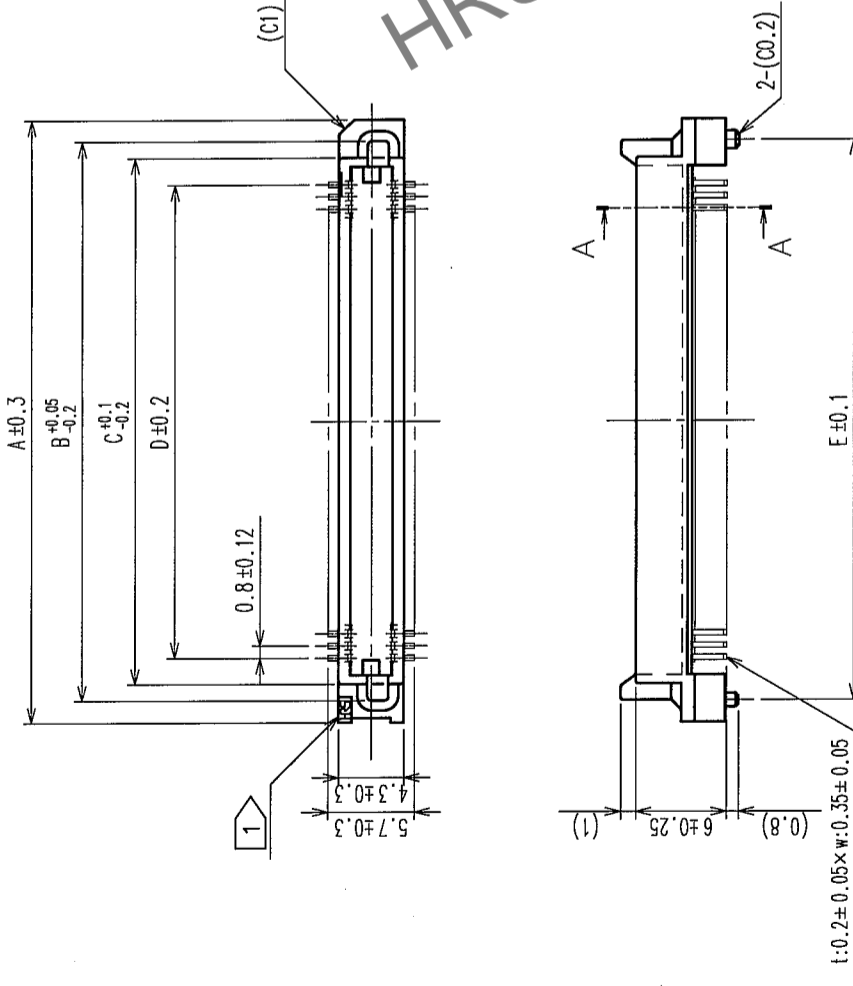
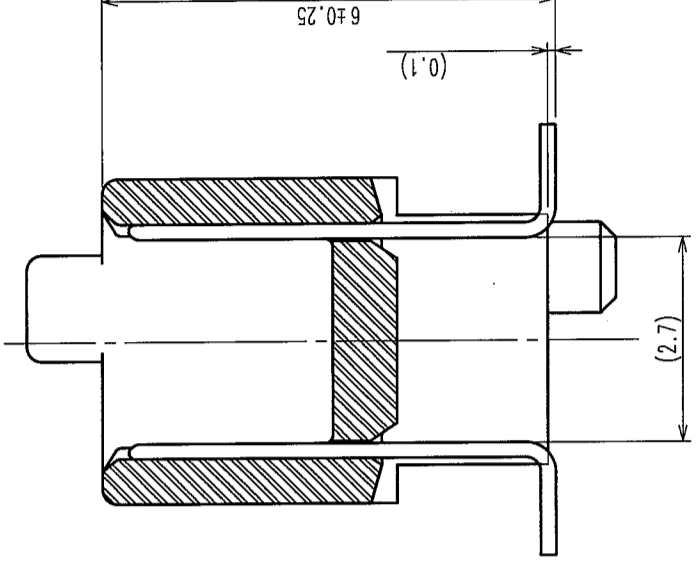


DESCRIPTION OF REVISIONS	BY	CHKD	DATE	COUNT	DESCRIPTION OF REVISIONS	BY	CHKD	DATE



A-A (10:1)



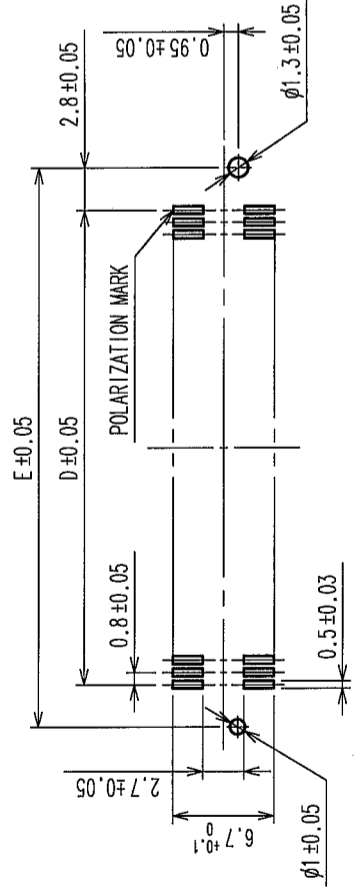
HRS DRAWING FOR REFERENCE

DIMENSION TABLE OF CONNECTOR AND P.C.B. LAND PATTERN.

PART No.	CODE No.	5	A	B	C	D	E
FX6-20P-0.8SV2(71)	CL576-0041-8-71	20	15.8	12.9	10.7	7.2	12.8
FX6-40P-0.8SV2(71)	CL576-0043-3-71	40	23.8	20.9	18.7	15.2	20.8
FX6-50P-0.8SV2(71)	CL576-0044-6-71	50	27.8	24.9	22.7	19.2	24.8
FX6-60P-0.8SV2(71)	CL576-0045-9-71	60	31.8	28.9	26.7	23.2	28.8
FX6-80P-0.8SV2(71)	CL576-0047-4-71	80	39.8	36.9	34.7	31.2	36.8
FX6-100P-0.8SV2(71)	CL576-0048-7-71	100	47.8	44.9	42.7	39.2	44.8

- NOTE: 1. HRS MARK SHOULD BE OPTIONAL.
 2. LEAD CO-PLANARITY SHALL BE 0.1mm MAX.
 3. FOR MODIFICATION, ETC., PREVENTIVE HOLE FOR SINK MARK MAY BE ADDED ACCORDING TO CIRCUMSTANCES.
 4. THE DIMENSIONS IN PARENTHESES ARE FOR REFERENCE.
 5. NUMBER OF CONTACTS.

RECOMMENDED LAND PATTERN DIMENSION OF P.C.B. (MOUNTING SIDE)



TO	
PCK	

1	POLYPHENYLENE SULFIDE	LIGHT BROWN (UL94V-0)	2	PHOSPHOR BRONZE	CONTACT AREA: GOLD 0.1μm min. LEAD AREA: TIN-PLATING 1μm min. UNDER PLATING: NICKEL 1μm min.
NO.	MATERIAL	FINISH, REMARKS	NO.	MATERIAL	FINISH, REMARKS
CODE NO. (OLD)	CL		DRAWN	DESIGNED	CHECKED
			A. SUZUKAWA	H. Doi	X. Ogawa
			05.07.13	05-07-14	05-07-14
DRAWING NO. EDC3-152945-25			PART NO. FX6-**-P-0.8SV2(71)		
SCALE FREE			CODE NO. CL576		
UNITS mm			HIROSE ELECTRIC CO., LTD		