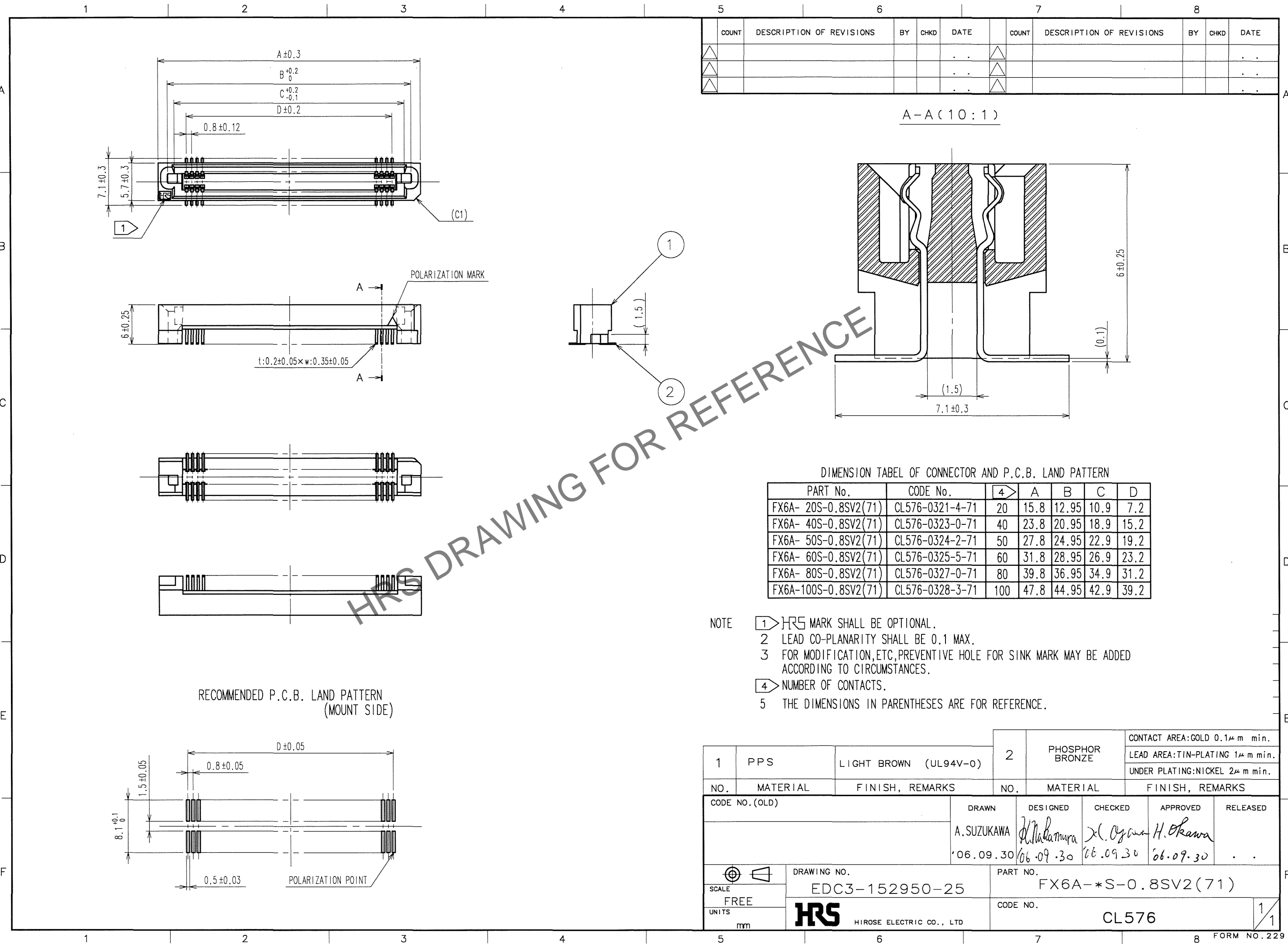


Aug.1.2024 Copyright 2024 HIROSE ELECTRIC CO., LTD. All Rights Reserved.
In case of consideration for using Automotive equipment / device which demand high reliability, kindly contact our sales window correspondents.



COUNT	DESCRIPTION OF REVISIONS	BY	CHKD	DATE	COUNT	DESCRIPTION OF REVISIONS	BY	CHKD	DATE
△					△				
△					△				
△					△				

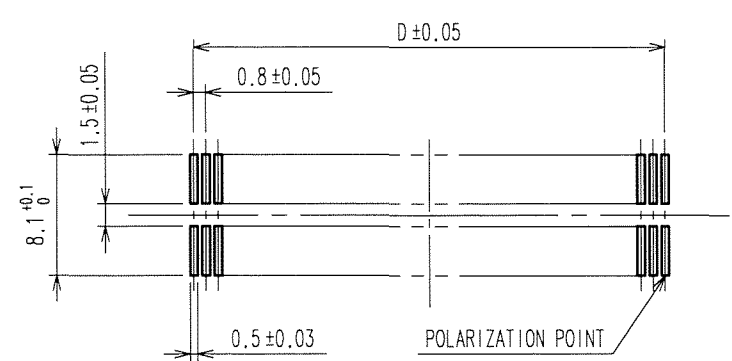
A-A (10:1)

DIMENSION TABLE OF CONNECTOR AND P.C.B. LAND PATTERN

PART No.	CODE No.	4	A	B	C	D
FX6A- 20S-0.8SV2(71)	CL576-0321-4-71	20	15.8	12.95	10.9	7.2
FX6A- 40S-0.8SV2(71)	CL576-0323-0-71	40	23.8	20.95	18.9	15.2
FX6A- 50S-0.8SV2(71)	CL576-0324-2-71	50	27.8	24.95	22.9	19.2
FX6A- 60S-0.8SV2(71)	CL576-0325-5-71	60	31.8	28.95	26.9	23.2
FX6A- 80S-0.8SV2(71)	CL576-0327-0-71	80	39.8	36.95	34.9	31.2
FX6A-100S-0.8SV2(71)	CL576-0328-3-71	100	47.8	44.95	42.9	39.2

- NOTE
- 1) HRS MARK SHALL BE OPTIONAL.
 - 2) LEAD CO-PLANARITY SHALL BE 0.1 MAX.
 - 3) FOR MODIFICATION, ETC, PREVENTIVE HOLE FOR SINK MARK MAY BE ADDED ACCORDING TO CIRCUMSTANCES.
 - 4) NUMBER OF CONTACTS.
 - 5) THE DIMENSIONS IN PARENTHESES ARE FOR REFERENCE.

RECOMMENDED P.C.B. LAND PATTERN (MOUNT SIDE)



1	PPS	LIGHT BROWN (UL94V-0)	2	PHOSPHOR BRONZE	CONTACT AREA:GOLD 0.1μm min. LEAD AREA:TIN-PLATING 1μm min. UNDER PLATING:NICKEL 2μm min.	
NO.	MATERIAL	FINISH, REMARKS	NO.	MATERIAL	FINISH, REMARKS	
CODE NO. (OLD)		DRAWN	DESIGNED	CHECKED	APPROVED	RELEASED
		A.SUZUKAWA	H. Nakamura	J. Ogawa	H. Okawa	
		'06.09.30	'06.09.30	'06.09.30	'06.09.30	
DRAWING NO.		PART NO.				
EDC3-152950-25		FX6A-*S-0.8SV2(71)				
SCALE		CODE NO.				
FREE		CL576				
UNITS		HIROSE ELECTRIC CO., LTD				
mm						

TO PCK