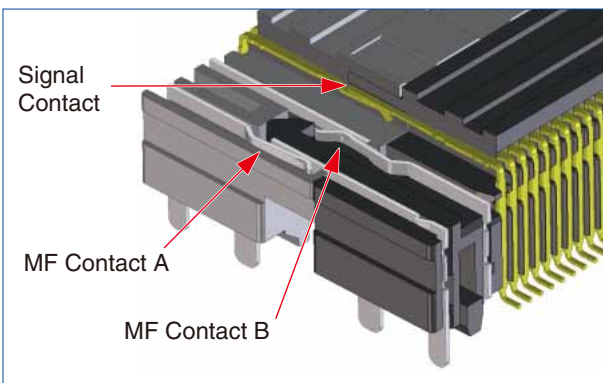


High Speed Transmission, 0.8mm Pitch Connectors for PCB Connections

FX18 Series

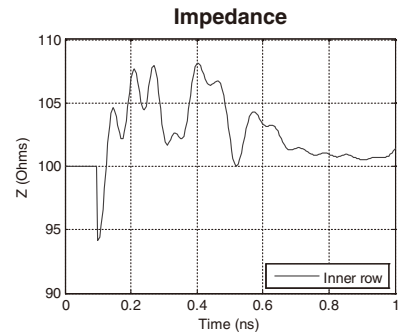
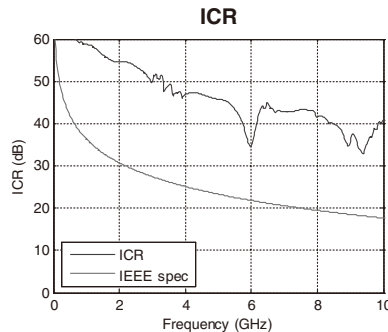


■ Features

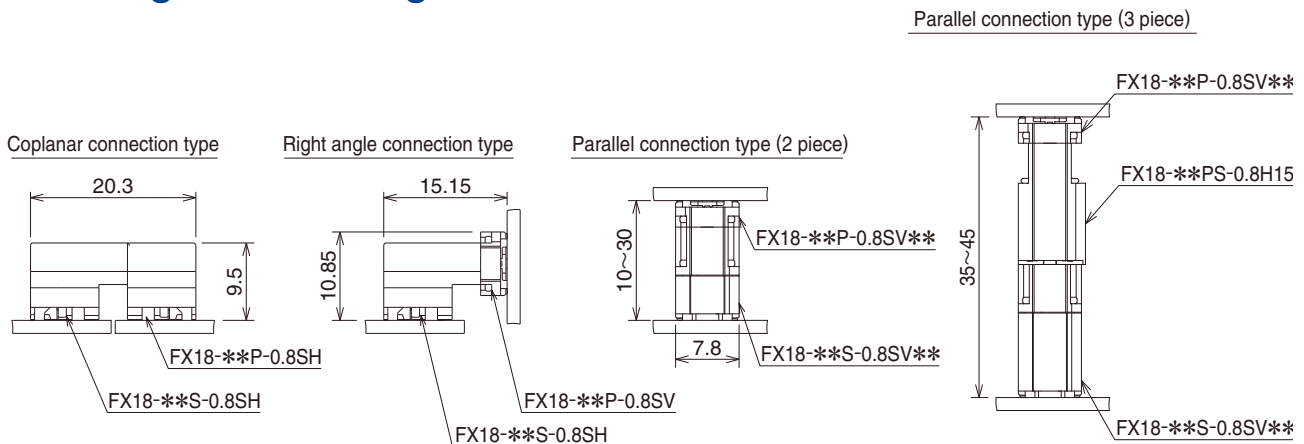
- **0.8mm pitch**
- **Connection type : Coplanar /right angle / parallel (height : 10 to 45mm)**
- **No of pos.: 40, 60, 80, 100, 120, 140**
- **MF (multi-functional) contact**
The FX18 series utilizes guideposts on both sides of the connector. These guide posts double as multi-functional contacts as well as an aligning structure.
 - 1) Enhanced ground connections between PCB's
 - 2) Capable of being used as power source lines (3 A/line)
 - 3) A sequenced 3-level structure that contains signal contacts
- **Effective mating length of 2mm (Signal contact)**
This connector utilizes a 2.0mm effective mating length for its signal contacts and provides a sufficient amount of margin for its mating sequence. (MF contact A : 2.5mm/ MF contact B : 1.5mm)
- **Resistant to excess mating force**
The structure is equipped with dip contacts that help prevent damage caused by excessive mating forces and provides stability to both sides of the connector.
- **Simplified mating with large guides**
Generous lead-in shape simplifies the mating operation. (lead in opening amount : ± 1 mm). The guides also prevent inverse mating.

■ High speed transmission characteristics

- **ICR (Insertion-loss-to-Crosstalk-Ratio)**
Enough margin with regulated ICR data of IEEE802.3ap 10 Gbps transmission standard.
- **Differential impedance data**
With a strict time of $T_r = 35$ ps, its contact structure matches 100 Ohm $\pm 10\%$ differential impedance.



■ Mating variation diagram



Product Specifications

| | | | |
|---------|---------------|--|--|
| Ratings | Rated Current | 0.5A (signal contacts) 3.0A (MF contact) (Note 3) | Operating Temperature Range : -55~85°C (Note 1) Storage Temperature Range : -10~60°C (Note 2) |
| | Rated Voltage | AC100V | |

| Item | Specifications | Conditions |
|--------------------------|--|--|
| 1. Contact Resistance | Maximum of 90mΩ | Measured with 100mA |
| 2. Insulation Resistance | Minimum of 1,000MΩ | Measured with DC 250V |
| 3. Withstanding Voltage | No flashover or breakdown | Electrification for 1 minutes at AC 300V |
| 4. Durability | Contact Resistance: Maximum of 100mΩ | 500 mating cycles |
| 5. Vibration Resistance | No electrical discontinuity of 1μ or greater | 10 cycles each for the three axial directions (1 cycle = 5 minutes) at frequency 10-55 Hz, half amplitude 0.75mm |
| 6. Shock Resistance | No electrical discontinuity of 1μ or greater | Acceleration: 490m/s ² , Retention time: 11ms, Semi-sinusoidal 3 axes both directions 3 times each. |
| 7. Humidity Resistance | Contact Resistance: Maximum of 100mΩ Insulation Resistance: Minimum of 1,000MΩ | 96 hours at temperature : 40°C and humidity : 90~95% |
| 8. Temperature Cycles | Contact Resistance: Maximum of 100mΩ Insulation Resistance: Minimum of 1,000MΩ | Temperature -55 °C → 85°C Time 30 → 30 minutes 5 cycles |

(Note 1) Includes the temperature rise of power lines

(Note 2) The term “storage” refers to the long-term storage condition of unused products before PCB mounting.

(Note 3) Rated current is per contact.

Materials

● Right angle receptacle/right angle header/straight header

| Component | Materials | Color/Finish | Specifications |
|----------------|--------------------|---|----------------|
| Insulator | Polyamide resin | Black | UL94V-0 |
| Signal Contact | Phosphorous bronze | Contact part : Gold plating Mounting part : Gold plating | ———— |
| MF Contact | Phosphorous bronze | Contact part : Gold plating Mounting part : Pure tin plating | ———— |

● Straight header 10mm height /Straight receptacle 15mm and 20mm heights

| Component | Materials | Color/Finish | Specifications |
|----------------|--------------------|---|----------------|
| Insulator | Polyamide resin | Black | UL94V-0 |
| Signal Contact | Phosphorous bronze | Contact part : Gold plating Mounting part : Gold plating | ———— |
| MF Contact | Copper alloy | Contact part : Gold plating Mounting part : Pure tin plating | ———— |

● Straight receptacle 10mm height

| Component | Materials | Color/Finish | Specifications |
|----------------|-----------------|---|----------------|
| Insulator | Polyamide resin | Black | UL94V-0 |
| Signal Contact | Copper alloy | Contact part : Gold plating Mounting part : Gold plating | ———— |
| MF Contact | Copper alloy | Contact part : Gold plating Mounting part : Pure tin plating | ———— |

● Interposer 15mm height

| Component | Materials | Color/Finish | Specifications |
|----------------|---------------------------|-----------------------------|----------------|
| Insulator | Polyamide resin/PBT resin | Black | UL94V-0 |
| Signal Contact | Copper alloy | Contact part : Gold plating | ———— |
| MF Contact | Copper alloy | Contact part : Gold plating | ———— |

Product Number Structure

Refer to the charts below for determining specific part number characteristics.

Please select connectors listed in this catalog when placing orders and be sure to check the latest delivery specifications at the time of ordering the product.

Right angle receptacle

FX18 - 60 S - 0.8 SH

① ② ③ ④ ⑤

Straight receptacle

FX18 - 60 S - 0.8 SV 15

① ② ③ ④ ⑤ ⑥

Right angle header

FX18 - 60 P - 0.8 SH

① ② ③ ④ ⑤

Interposer

FX18 - 60 PS - 0.8 H 15

① ② ③ ④ ⑤ ⑥

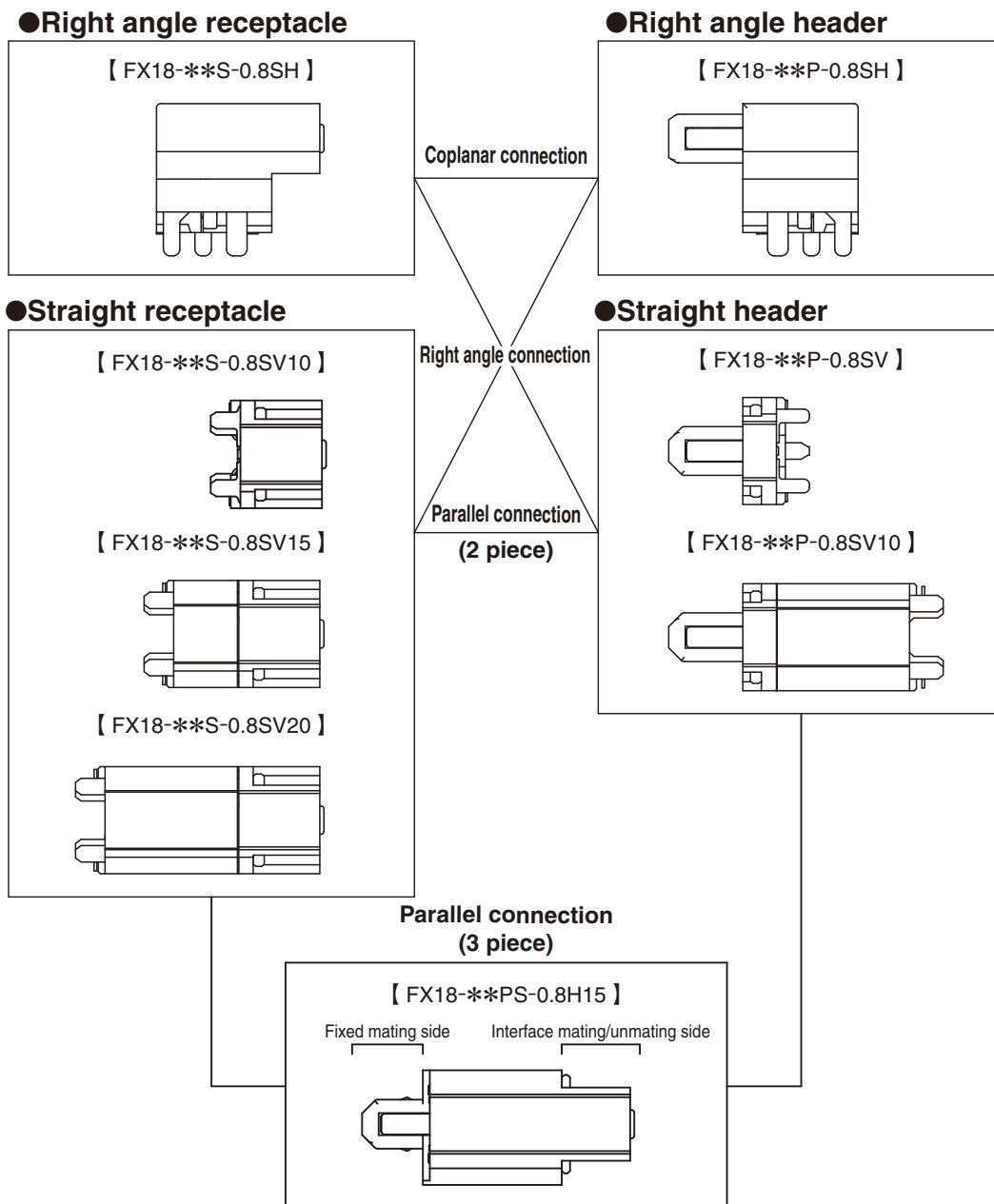
Straight header

FX18 - 60 P - 0.8 SV 10

① ② ③ ④ ⑤ ⑥

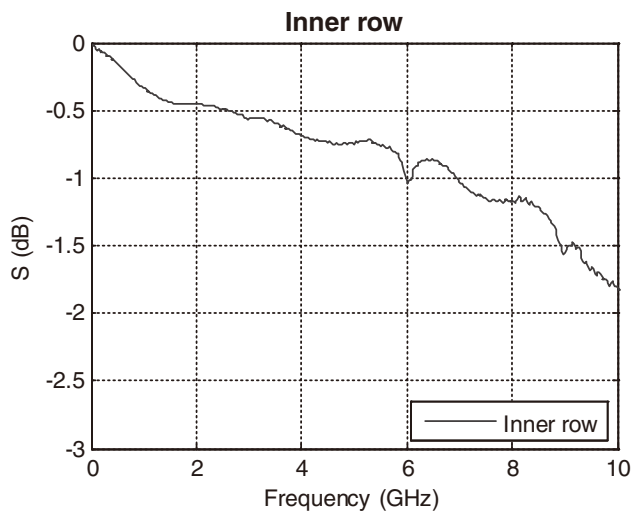
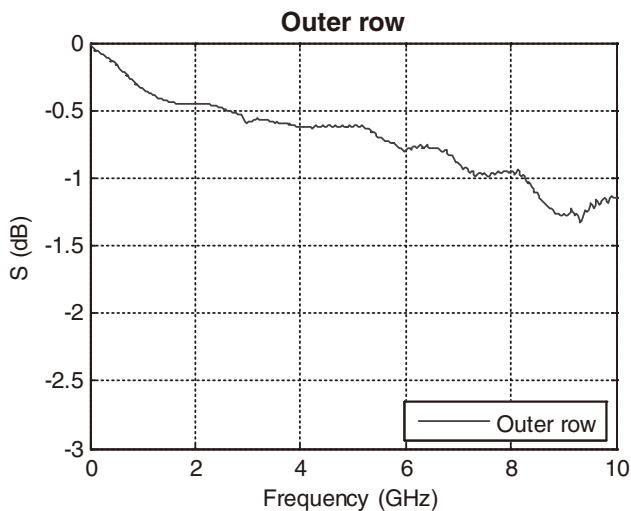
| | |
|-------------------|--|
| ① Series Name | : FX18 |
| ② No. of Contacts | |
| ③ Connector Type | S : Receptacle type P : Header type |
| ④ Contact Pitch | : 0.8mm |
| ⑤ Product Shape | SH : Right angle type SV : Straight type H : Interposer type |
| ⑥ Stacking Height | |

FX18 Series Mating Diagram



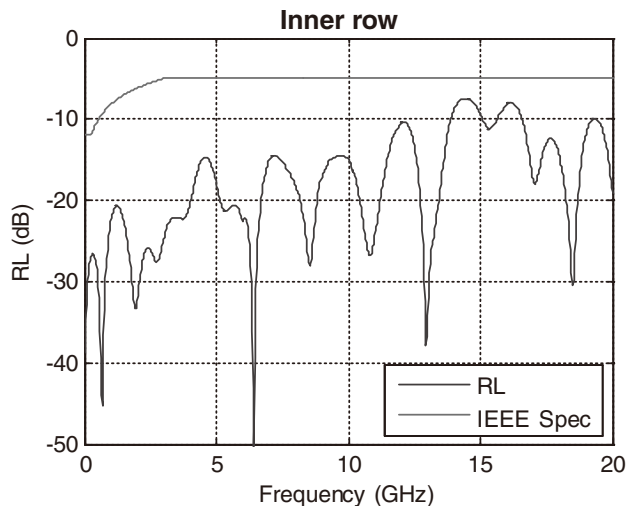
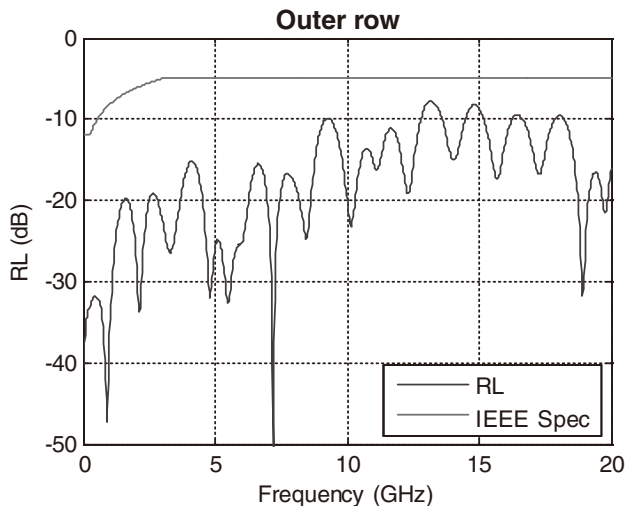
● Insertion loss

Maintains a good insertion loss of up to 10 GHz



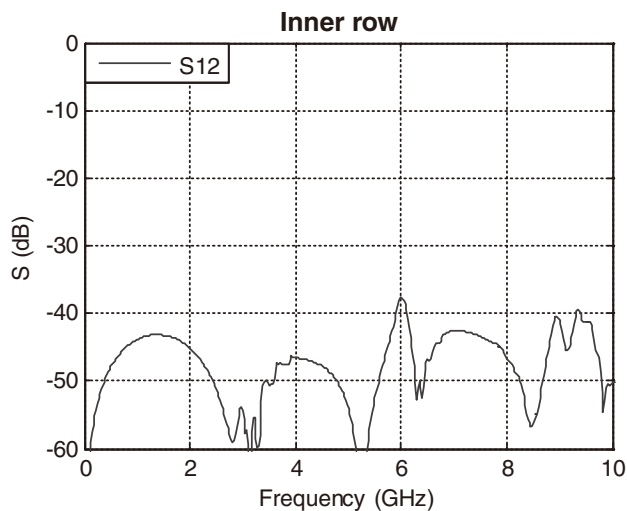
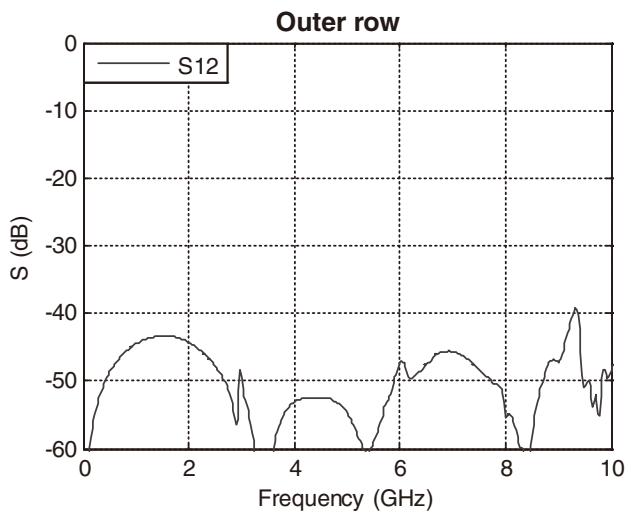
● Return loss

Enough margin to satisfy IEEE802.3ap 10 Gbps transmission protocol.



● NEXT

Lower crosstalk up to 10 GHz



Apr. 1. 2026 Copyright 2026 HIROSE ELECTRIC CO., LTD. All Rights Reserved.

Contact assignment (40 pos.)

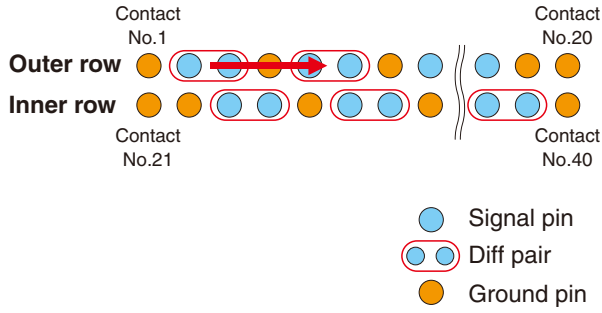


Fig 1.

Contact assignment (40 pos.)

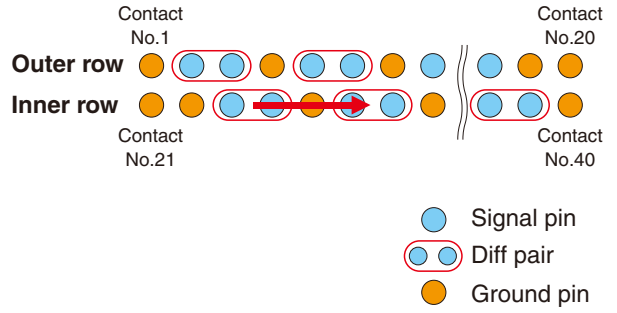
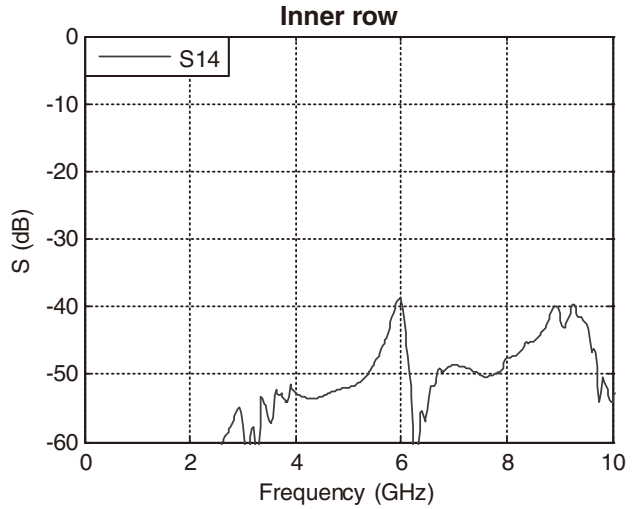
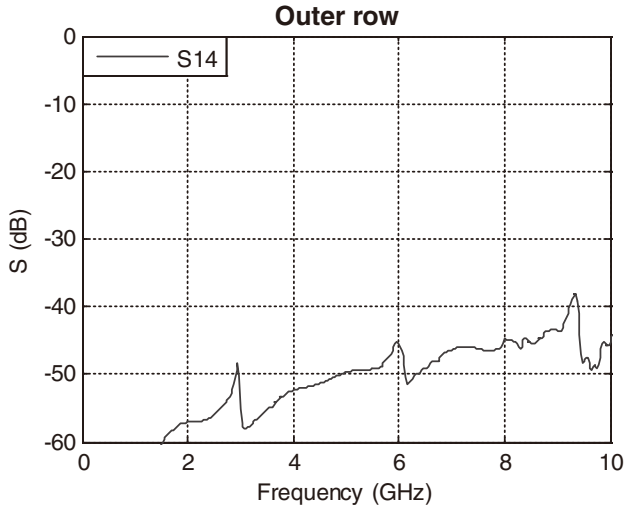


Fig 2.

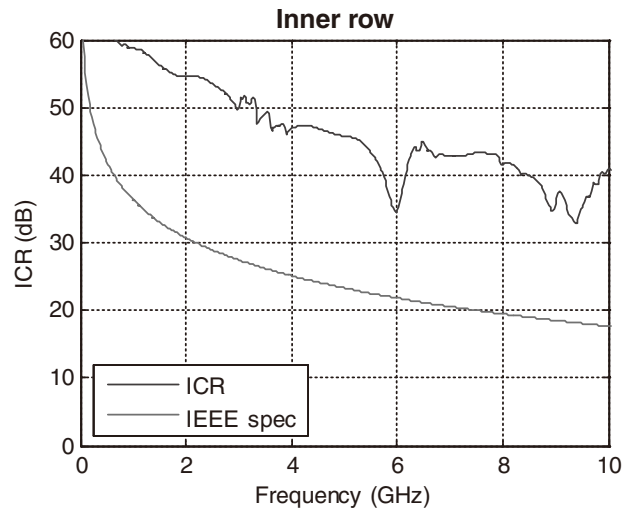
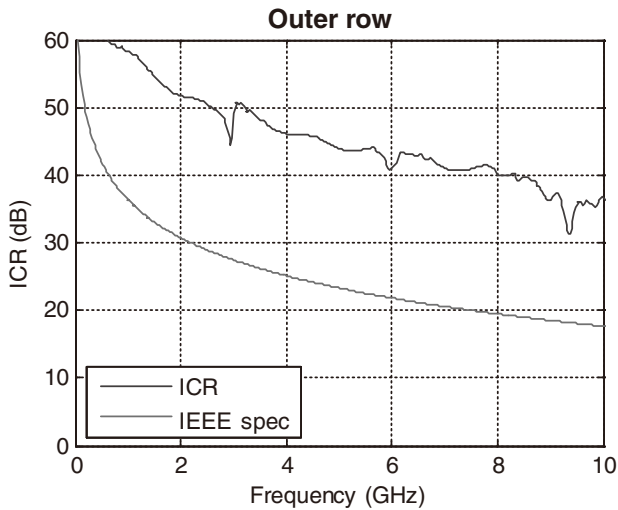
● **FEXT**

Lower crosstalk up to 10 GHz

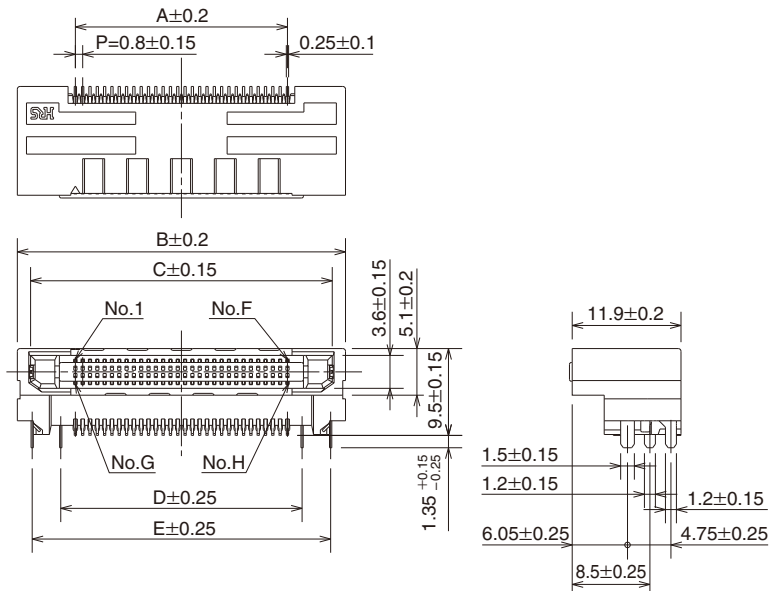


● **ICR-FEXT**

Enough margin to satisfy IEEE802.3ap 10 Gbps transmission protocol.



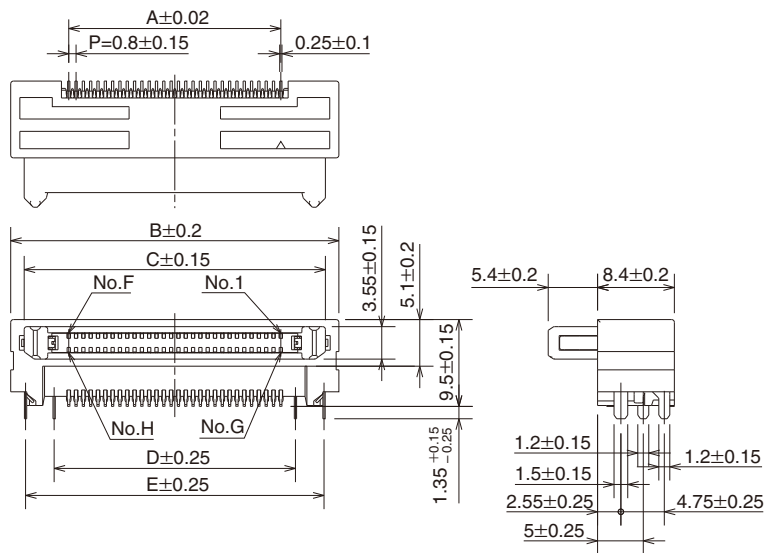
● Right angle receptacle



Unit : mm

| Part No. | HRS No. | A | B | C | D | E | F | G | H (No. of contacts) |
|-----------------|------------|------|------|------|------|-------|----|----|---------------------|
| FX18-40S-0.8SH | 579-0009-4 | 15.2 | 27.9 | 25.0 | 18.4 | 24.65 | 20 | 21 | 40 |
| FX18-60S-0.8SH | 579-0010-3 | 23.2 | 35.9 | 33.0 | 26.4 | 32.65 | 30 | 31 | 60 |
| FX18-80S-0.8SH | 579-0011-6 | 31.2 | 43.9 | 41.0 | 34.4 | 40.65 | 40 | 41 | 80 |
| FX18-100S-0.8SH | 579-0012-9 | 39.2 | 51.9 | 49.0 | 42.4 | 48.65 | 50 | 51 | 100 |
| FX18-120S-0.8SH | 579-0013-1 | 47.2 | 59.9 | 57.0 | 50.4 | 56.65 | 60 | 61 | 120 |
| FX18-140S-0.8SH | 579-0014-4 | 55.2 | 67.9 | 65.0 | 58.4 | 64.65 | 70 | 71 | 140 |

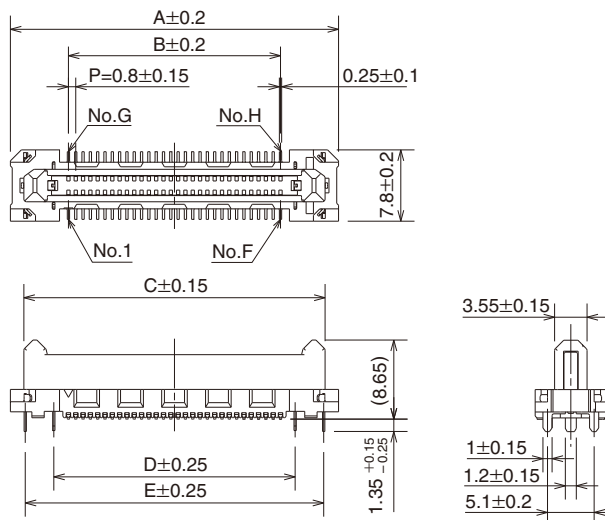
● Right angle header



Unit : mm

| Part No. | HRS No. | A | B | C | D | E | F | G | H (No. of contacts) |
|-----------------|------------|------|------|-------|------|-------|----|----|---------------------|
| FX18-40P-0.8SH | 579-0002-5 | 15.2 | 27.9 | 24.95 | 18.4 | 24.65 | 20 | 21 | 40 |
| FX18-60P-0.8SH | 579-0003-8 | 23.2 | 35.9 | 32.95 | 26.4 | 32.65 | 30 | 31 | 60 |
| FX18-80P-0.8SH | 579-0004-0 | 31.2 | 43.9 | 40.95 | 34.4 | 40.65 | 40 | 41 | 80 |
| FX18-100P-0.8SH | 579-0005-3 | 39.2 | 51.9 | 48.95 | 42.4 | 48.65 | 50 | 51 | 100 |
| FX18-120P-0.8SH | 579-0006-6 | 47.2 | 59.9 | 56.95 | 50.4 | 56.65 | 60 | 61 | 120 |
| FX18-140P-0.8SH | 579-0007-9 | 55.2 | 67.9 | 64.95 | 58.4 | 64.65 | 70 | 71 | 140 |

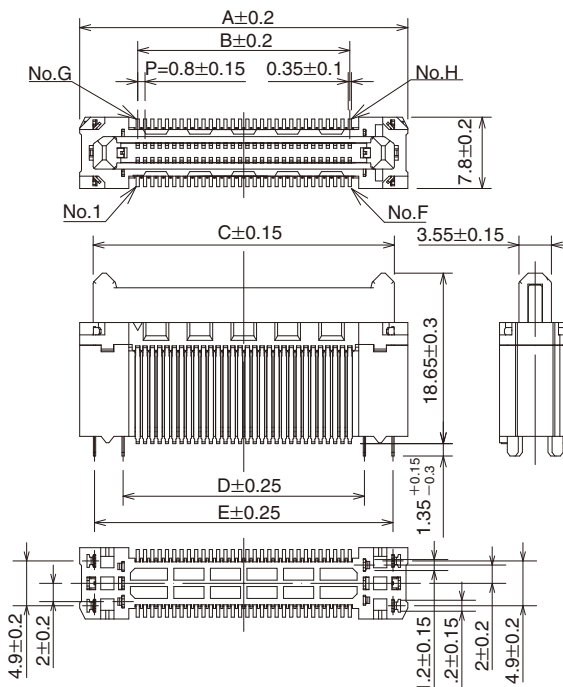
● Straight header



Unit : mm

| Part No. | HRS No. | A | B | C | D | E | F | G | H (No of contacts) |
|-----------------|------------|------|------|-------|------|-------|----|----|--------------------|
| FX18-40P-0.8SV | 579-0016-0 | 27.9 | 15.2 | 24.95 | 18.4 | 24.65 | 20 | 21 | 40 |
| FX18-60P-0.8SV | 579-0017-2 | 35.9 | 23.2 | 32.95 | 26.4 | 32.65 | 30 | 31 | 60 |
| FX18-80P-0.8SV | 579-0018-5 | 43.9 | 31.2 | 40.95 | 34.4 | 40.65 | 40 | 41 | 80 |
| FX18-100P-0.8SV | 579-0019-8 | 51.9 | 39.2 | 48.95 | 42.4 | 48.65 | 50 | 51 | 100 |
| FX18-120P-0.8SV | 579-0020-7 | 59.9 | 47.2 | 56.95 | 50.4 | 56.65 | 60 | 61 | 120 |
| FX18-140P-0.8SV | 579-0021-0 | 67.9 | 55.2 | 64.95 | 58.4 | 64.65 | 70 | 71 | 140 |

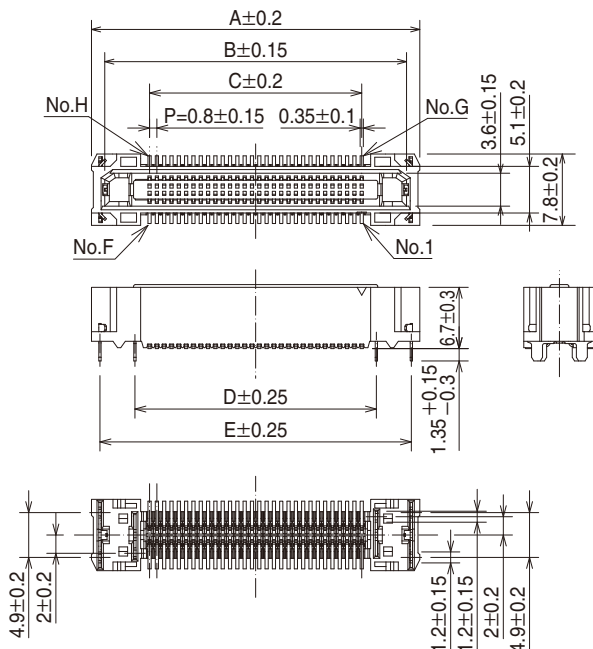
● Straight header (10mm stack height)



Unit : mm

| Part No. | HRS No. | A | B | C | D | E | F | G | H (No of contacts) |
|-------------------|------------|------|------|-------|------|-------|----|----|--------------------|
| FX18-40P-0.8SV10 | 579-0022-2 | 27.9 | 15.2 | 24.95 | 18.4 | 24.65 | 20 | 21 | 40 |
| FX18-60P-0.8SV10 | 579-0023-5 | 35.9 | 23.2 | 32.95 | 26.4 | 32.65 | 30 | 31 | 60 |
| FX18-80P-0.8SV10 | 579-0024-8 | 43.9 | 31.2 | 40.95 | 34.4 | 40.65 | 40 | 41 | 80 |
| FX18-100P-0.8SV10 | 579-0034-1 | 51.9 | 39.2 | 48.95 | 42.4 | 48.65 | 50 | 51 | 100 |
| FX18-120P-0.8SV10 | 579-0025-0 | 59.9 | 47.2 | 56.95 | 50.4 | 56.65 | 60 | 61 | 120 |
| FX18-140P-0.8SV10 | 579-0035-4 | 67.9 | 55.2 | 64.95 | 58.4 | 64.65 | 70 | 71 | 140 |

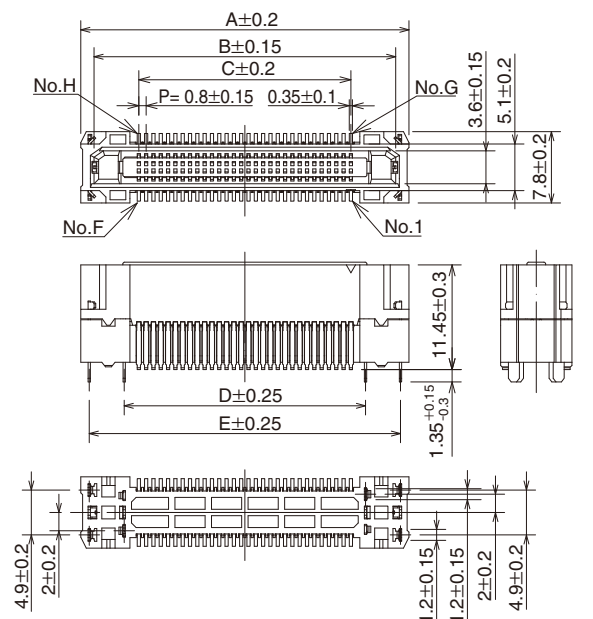
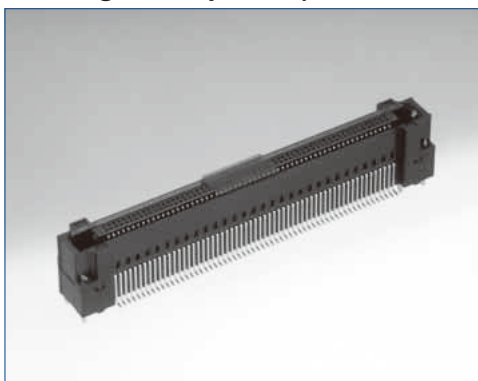
● Straight receptacle (10mm stack height)



Unit : mm

| Part No. | HRS No. | A | B | C | D | E | F | G | H (No. of contacts) |
|-------------------|------------|------|----|------|------|-------|----|----|---------------------|
| FX18-40S-0.8SV10 | 579-0055-1 | 27.9 | 25 | 15.2 | 18.4 | 26.05 | 20 | 21 | 40 |
| FX18-60S-0.8SV10 | 579-0056-4 | 35.9 | 33 | 23.2 | 26.4 | 34.05 | 30 | 31 | 60 |
| FX18-80S-0.8SV10 | 579-0057-7 | 43.9 | 41 | 31.2 | 34.4 | 42.05 | 40 | 41 | 80 |
| FX18-100S-0.8SV10 | 579-0058-0 | 51.9 | 49 | 39.2 | 42.4 | 50.05 | 50 | 51 | 100 |
| FX18-120S-0.8SV10 | 579-0059-2 | 59.9 | 57 | 47.2 | 50.4 | 58.05 | 60 | 61 | 120 |
| FX18-140S-0.8SV10 | 579-0060-1 | 67.9 | 65 | 55.2 | 58.4 | 66.05 | 70 | 71 | 140 |

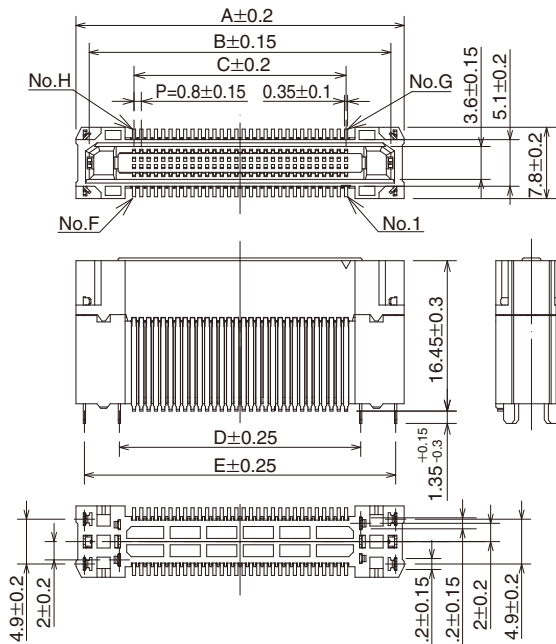
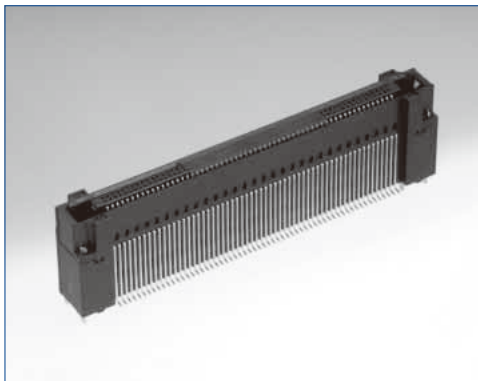
● Straight receptacle (15mm stack height)



Unit : mm

| Part No. | HRS No. | A | B | C | D | E | F | G | H (No. of contacts) |
|-------------------|------------|------|----|------|------|-------|----|----|---------------------|
| FX18-40S-0.8SV15 | 579-0026-3 | 27.9 | 25 | 15.2 | 18.4 | 26.05 | 20 | 21 | 40 |
| FX18-60S-0.8SV15 | 579-0027-6 | 35.9 | 33 | 23.2 | 26.4 | 34.05 | 30 | 31 | 60 |
| FX18-80S-0.8SV15 | 579-0028-9 | 43.9 | 41 | 31.2 | 34.4 | 42.05 | 40 | 41 | 80 |
| FX18-100S-0.8SV15 | 579-0036-7 | 51.9 | 49 | 39.2 | 42.4 | 50.05 | 50 | 51 | 100 |
| FX18-120S-0.8SV15 | 579-0029-1 | 59.9 | 57 | 47.2 | 50.4 | 58.05 | 60 | 61 | 120 |
| FX18-140S-0.8SV15 | 579-0037-0 | 67.9 | 65 | 55.2 | 58.4 | 66.05 | 70 | 71 | 140 |

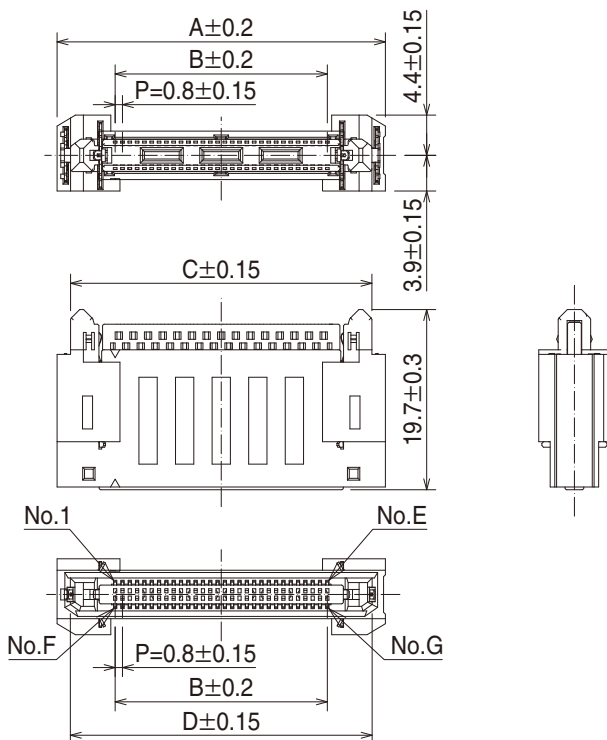
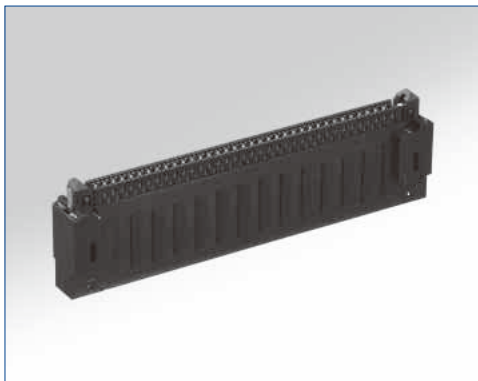
● Straight receptacle (20mm stack height)



Unit : mm

| Part No. | HRS No. | A | B | C | D | E | F | G | H (No. of contacts) |
|-------------------|------------|------|----|------|------|-------|----|----|---------------------|
| FX18-40S-0.8SV20 | 579-0030-0 | 27.9 | 25 | 15.2 | 18.4 | 26.05 | 20 | 21 | 40 |
| FX18-60S-0.8SV20 | 579-0031-3 | 35.9 | 33 | 23.2 | 26.4 | 34.05 | 30 | 31 | 60 |
| FX18-80S-0.8SV20 | 579-0032-6 | 43.9 | 41 | 31.2 | 34.4 | 42.05 | 40 | 41 | 80 |
| FX18-100S-0.8SV20 | 579-0038-2 | 51.9 | 49 | 39.2 | 42.4 | 50.05 | 50 | 51 | 100 |
| FX18-120S-0.8SV20 | 579-0033-9 | 59.9 | 57 | 47.2 | 50.4 | 58.05 | 60 | 61 | 120 |
| FX18-140S-0.8SV20 | 579-0039-5 | 67.9 | 65 | 55.2 | 58.4 | 66.05 | 70 | 71 | 140 |

● Interposer (15mm height)



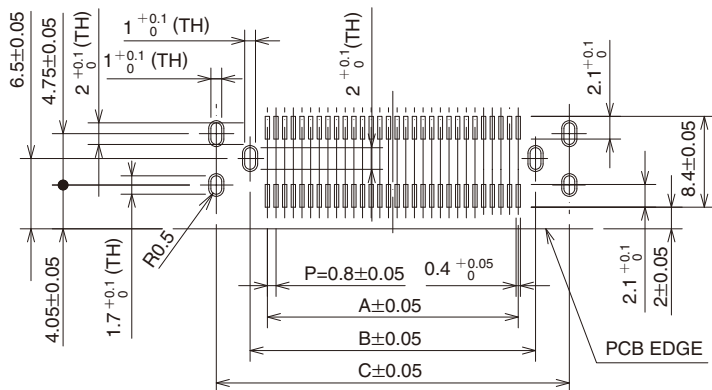
Unit : mm

| Part No. | HRS No. | A | B | C | D | E | F | G (No. of contacts) |
|-------------------|------------|------|------|-------|----|----|----|---------------------|
| FX18-40PS-0.8H15 | 579-0049-9 | 27.9 | 15.2 | 24.95 | 25 | 20 | 21 | 40 |
| FX18-60PS-0.8H15 | 579-0050-8 | 35.9 | 23.2 | 32.95 | 33 | 30 | 31 | 60 |
| FX18-80PS-0.8H15 | 579-0051-0 | 43.9 | 31.2 | 40.95 | 41 | 40 | 41 | 80 |
| FX18-100PS-0.8H15 | 579-0052-3 | 51.9 | 39.2 | 48.95 | 49 | 50 | 51 | 100 |
| FX18-120PS-0.8H15 | 579-0053-6 | 59.9 | 47.2 | 56.95 | 57 | 60 | 61 | 120 |
| FX18-140PS-0.8H15 | 579-0054-9 | 67.9 | 55.2 | 64.95 | 65 | 70 | 71 | 140 |

Recommended Land Pattern Dimensions

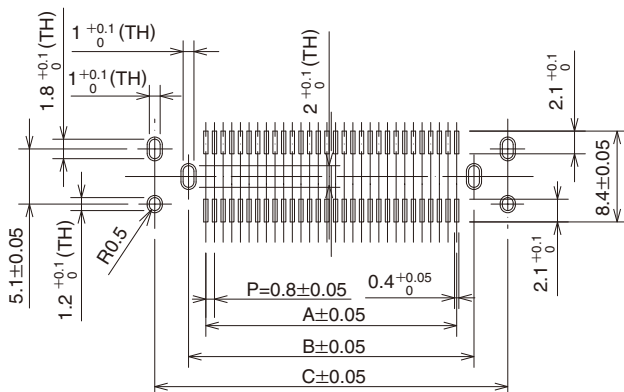
(PCB thickness : t = 1.6mm/Metal mask thickness : t = 0.12mm)

Right angle receptacle/right angle header



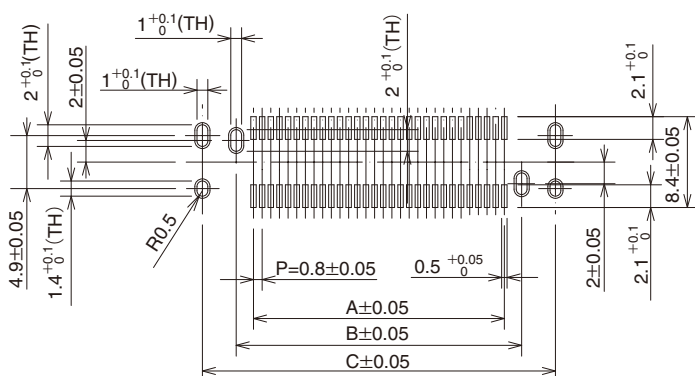
| Part No. | A | B | C |
|-----------------|------|------|-------|
| FX18-40S-0.8SH | 15.2 | 18.4 | 24.65 |
| FX18-40P-0.8SH | | | |
| FX18-60S-0.8SH | 23.2 | 26.4 | 32.65 |
| FX18-60P-0.8SH | | | |
| FX18-80S-0.8SH | 31.2 | 34.4 | 40.65 |
| FX18-80P-0.8SH | | | |
| FX18-100S-0.8SH | 39.2 | 42.4 | 48.65 |
| FX18-100P-0.8SH | | | |
| FX18-120S-0.8SH | 47.2 | 50.4 | 56.65 |
| FX18-120P-0.8SH | | | |
| FX18-140S-0.8SH | 55.2 | 58.4 | 64.65 |
| FX18-140P-0.8SH | | | |

Straight header



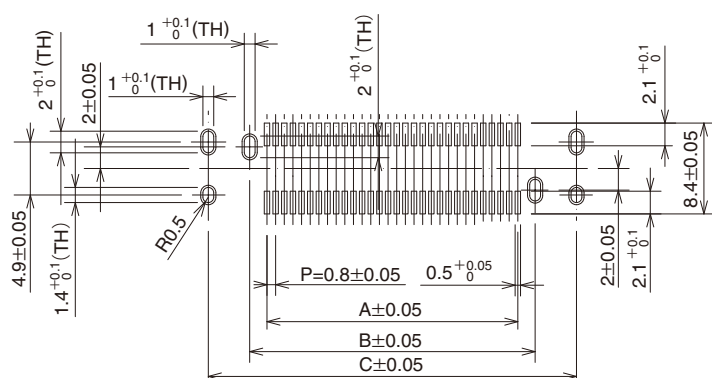
| Part No. | A | B | C |
|-----------------|------|------|-------|
| FX18-40P-0.8SV | 15.2 | 18.4 | 24.65 |
| FX18-60P-0.8SV | 23.2 | 26.4 | 32.65 |
| FX18-80P-0.8SV | 31.2 | 34.4 | 40.65 |
| FX18-100P-0.8SV | 39.2 | 42.4 | 48.65 |
| FX18-120P-0.8SV | 47.2 | 50.4 | 56.65 |
| FX18-140P-0.8SV | 55.2 | 58.4 | 64.65 |

Straight header (SV 10mm height)



| Part No. | A | B | C |
|-------------------|------|------|-------|
| FX18-40P-0.8SV10 | 15.2 | 18.4 | 24.65 |
| FX18-60P-0.8SV10 | 23.2 | 26.4 | 32.65 |
| FX18-80P-0.8SV10 | 31.2 | 34.4 | 40.65 |
| FX18-100P-0.8SV10 | 39.2 | 42.4 | 48.65 |
| FX18-120P-0.8SV10 | 47.2 | 50.4 | 56.65 |
| FX18-140P-0.8SV10 | 55.2 | 58.4 | 64.65 |

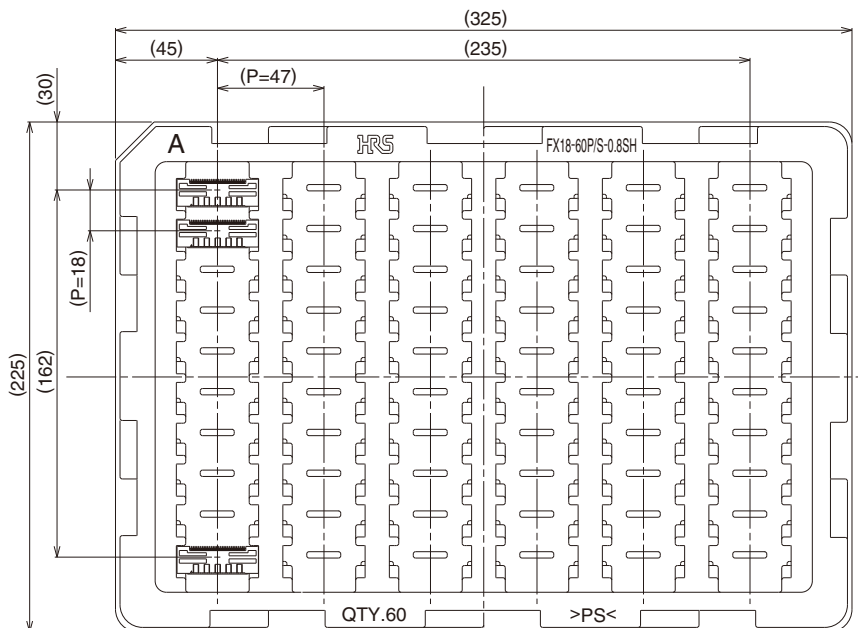
Straight receptacle (SV10/SV15/SV20mm heights)



| Part No. | A | B | C |
|-------------------------|------|------|-------|
| FX18-40S-0.8SV10/15/20 | 15.2 | 18.4 | 26.05 |
| FX18-60S-0.8SV10/15/20 | 23.2 | 26.4 | 34.05 |
| FX18-80S-0.8SV10/15/20 | 31.2 | 34.4 | 42.05 |
| FX18-100S-0.8SV10/15/20 | 39.2 | 42.4 | 50.05 |
| FX18-120S-0.8SV10/15/20 | 47.2 | 50.4 | 58.05 |
| FX18-140S-0.8SV10/15/20 | 55.2 | 58.4 | 66.05 |

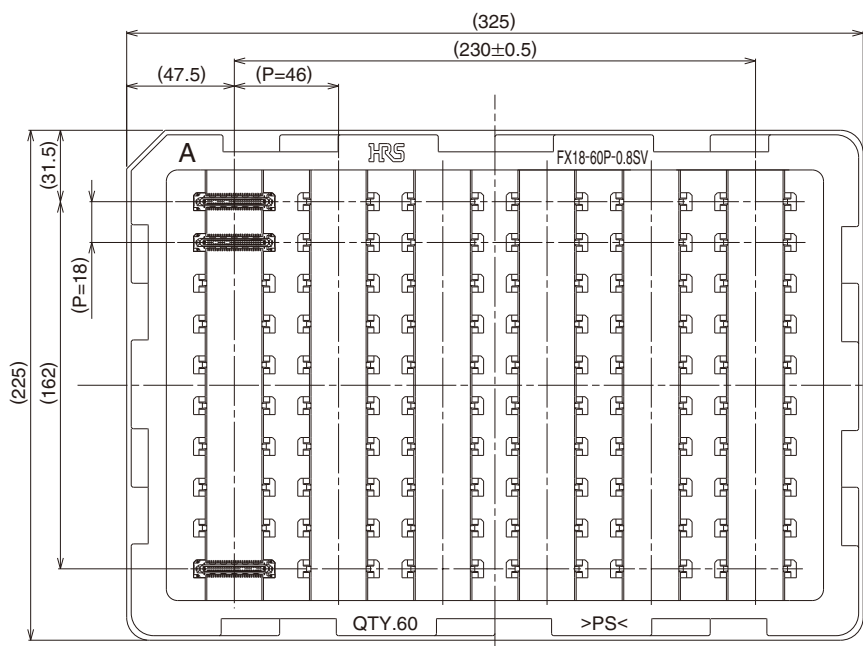
◆ Packaging tray (dimensions and quantities)

● Right angle receptacle/right angle header



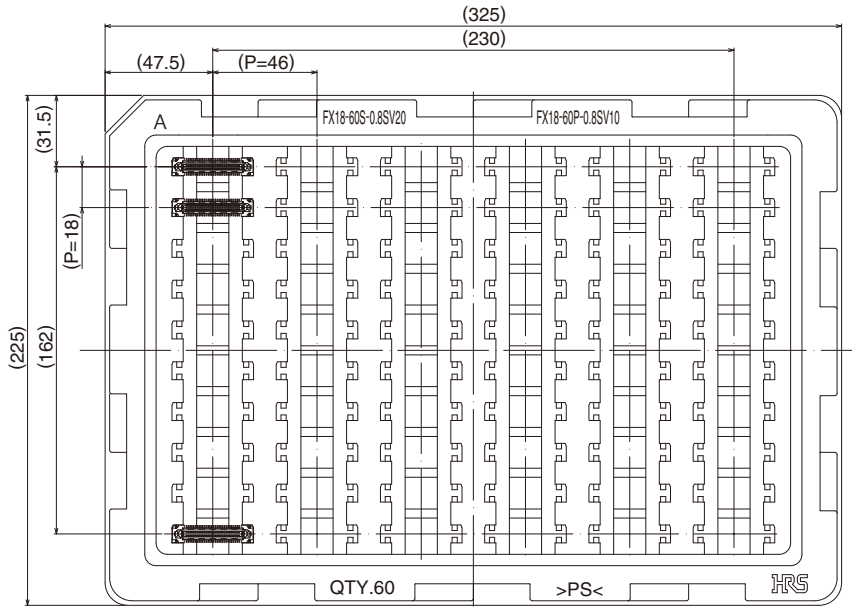
| Part No. | Quantity |
|-----------------|----------|
| FX18-40S-0.8SH | 70 |
| FX18-40P-0.8SH | |
| FX18-60S-0.8SH | 60 |
| FX18-60P-0.8SH | |
| FX18-80S-0.8SH | 50 |
| FX18-80P-0.8SH | |
| FX18-100S-0.8SH | 40 |
| FX18-100P-0.8SH | |
| FX18-120S-0.8SH | 40 |
| FX18-120P-0.8SH | |
| FX18-140S-0.8SH | 40 |
| FX18-140P-0.8SH | |

● Straight header/Straight receptacle for 10mm stack height



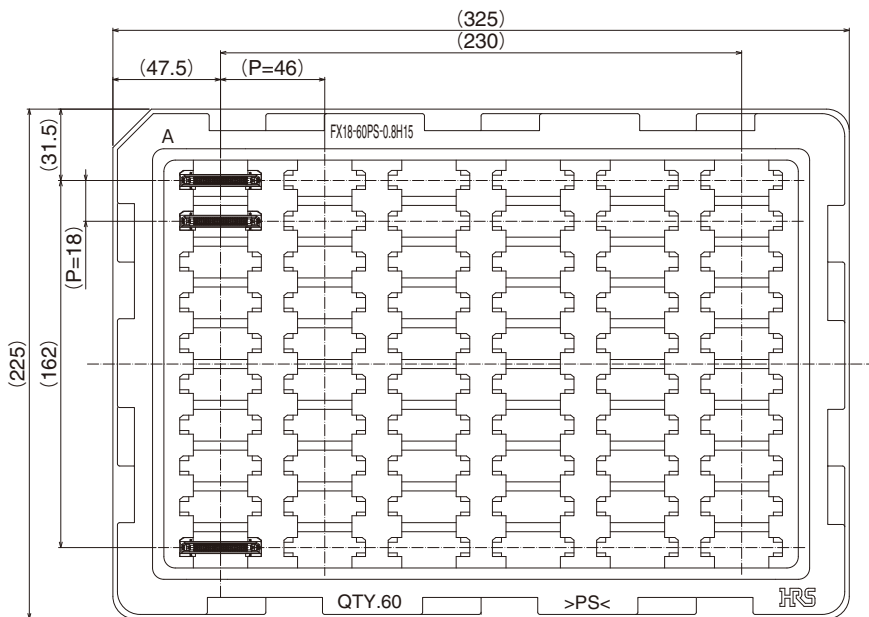
| Part No. | Quantity |
|-------------------|----------|
| FX18-40P-0.8SV | 70 |
| FX18-40S-0.8SV10 | |
| FX18-60P-0.8SV | 60 |
| FX18-60S-0.8SV10 | |
| FX18-80P-0.8SV | 50 |
| FX18-80S-0.8SV10 | |
| FX18-100P-0.8SV | 40 |
| FX18-100S-0.8SV10 | |
| FX18-120P-0.8SV | 40 |
| FX18-120S-0.8SV10 | |
| FX18-140P-0.8SV | 40 |
| FX18-140S-0.8SV10 | |

● Straight header 10mm/Straight receptacle 15mm/Straight receptacle 20mm



| Part No. | Quantity |
|-------------------|----------|
| FX18-40P-0.8SV10 | 60 |
| FX18-40S-0.8SV15 | |
| FX18-40S-0.8SV20 | |
| FX18-60P-0.8SV10 | 60 |
| FX18-60S-0.8SV15 | |
| FX18-60S-0.8SV20 | |
| FX18-80P-0.8SV10 | 50 |
| FX18-80S-0.8SV15 | |
| FX18-80S-0.8SV20 | |
| FX18-100P-0.8SV10 | 40 |
| FX18-100S-0.8SV15 | |
| FX18-100S-0.8SV20 | 40 |
| FX18-120P-0.8SV10 | |
| FX18-120S-0.8SV15 | |
| FX18-120S-0.8SV20 | 30 |
| FX18-140P-0.8SV10 | |
| FX18-140S-0.8SV15 | |
| FX18-140S-0.8SV20 | |

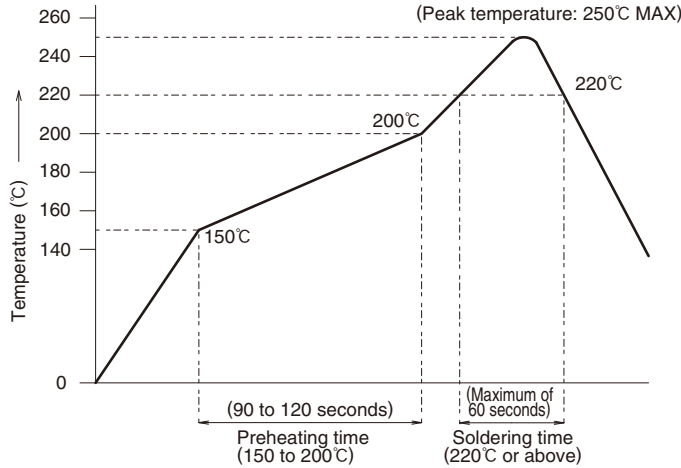
● Interposer 15mm height



| Part No. | Quantity |
|-------------------|----------|
| FX18-40PS-0.8H15 | 60 |
| FX18-60PS-0.8H15 | 60 |
| FX18-80PS-0.8H15 | 50 |
| FX18-100PS-0.8H15 | 40 |
| FX18-120PS-0.8H15 | 40 |
| FX18-140PS-0.8H15 | 30 |

Temperature Profile

This temperature profile was tested under the following conditions, and any attempt to recreate will vary depending on the external conditions.



(Applicable Conditions)

Test PCB Size Dimensions : 110 × 50 × 1.6 (mm)

Material : Glass epoxy

Solder composition : Sn- 3 Ag- 0.5 Cu

Flux contained quantity : 11 wt%

Metal mask thickness : 0.12mm

- (Note 1) This temperature profile contains recommended values and is for reference only.
 (Note 2) Reflow process should not exceed 2 times.
 (Note 3) Cream solder type: Will differ due to the amount used and manufacturer

Washing conditions

Washing with organic solvent

| Solvent | Washing in normal temperature | Washing in heated condition |
|-------------------------|-------------------------------|-----------------------------|
| IPA (Isopropyl alcohol) | ○ | ○ |

Water based cleaning

When using water based cleaning agents (including terpene, and alkali saponifiers), pay special attention to how the cleaning agent will react to specific metals and plastics before selecting one of them. Various cleaning agent manufacturers publish reaction tables for their cleaning agents. Do not leave connectors with moisture remaining on them.

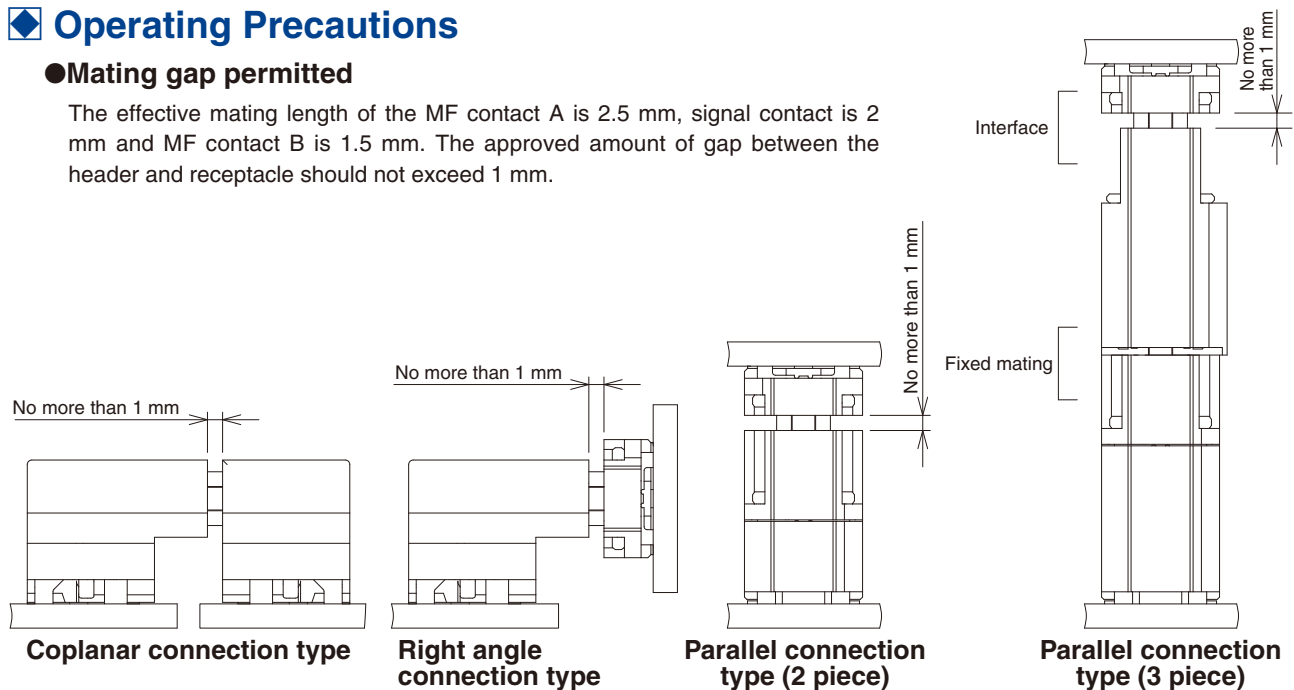
Cautions when washing

The electrical performance may deteriorate if the flux or cleaning detergent is left on the connector after the cleaning. Check thoroughly to ensure that there is no residue left on any of the surfaces.

Operating Precautions

Mating gap permitted

The effective mating length of the MF contact A is 2.5 mm, signal contact is 2 mm and MF contact B is 1.5 mm. The approved amount of gap between the header and receptacle should not exceed 1 mm.



- Provide another form of support to the PCB, this connector was not designed to be the main form of support.
- Do not mate the connectors at an angle, refer to the rotation mating/unmating guideline (TADC 4-210630). (For the guideline, please contact the sales representative of our company.)
- When using the 15mm height interposer, be cautious of the items listed below.
 - 1) The lock on the fixed mating side of the interposer is not designed to be the mate/unmate point. This section should not be mated/unmated more than 5 times.
 - 2) When mating these connectors, make sure to mate the fixed mating side first then mate the interface mating/unmating side to the header.
 - 3) The effective mating length of the MF contact A is 2.5mm, signal contact is 2mm and MF contact B is 1.5mm.
 - 4) The approved amount of gap between the header and receptacle should not exceed 1 mm.

