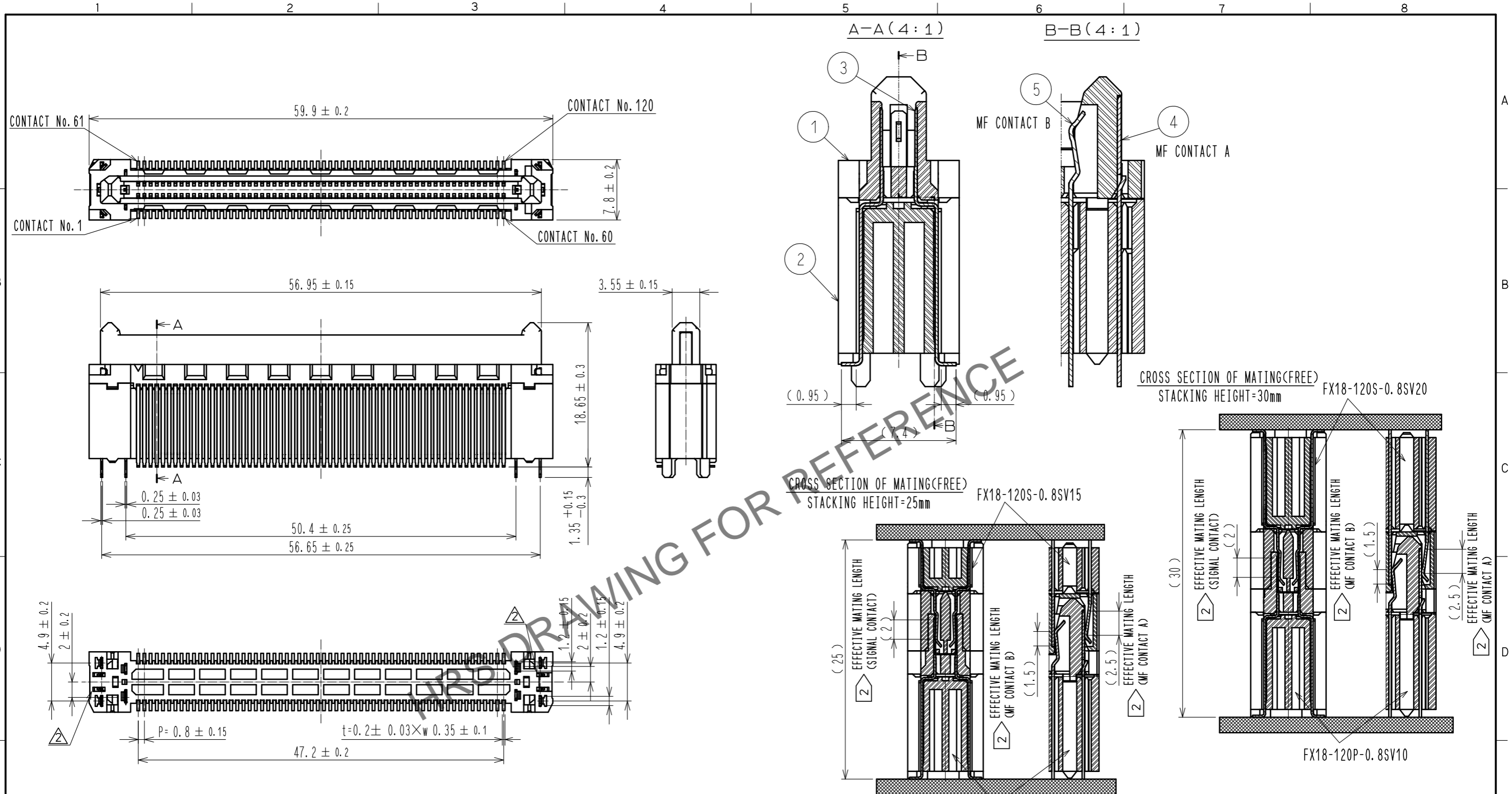


Oct.1.2024 Copyright 2024 HIROSE ELECTRIC CO., LTD. All Rights Reserved.
In case of consideration for using Automotive equipment / device which demand high reliability, kindly contact our sales window correspondents.



- NOTES
- 1 LEAD CO-PLANARITY IS 0.1mm MAX.
 - 2 CONTACTS ARE 3 STEPS SEQUENTIAL. (MF CONTACT A=>SIGNAL CONTACT=>MF CONTACT B)
WHEN USING THIS SEQUENTIAL STRUCTURE, PLEASE AVOID ANGLED INSERTION.
 - 3 MF CONTACT A AND MF CONTACT B CAN BE USED AS POWER SUPPLY CONTACT. (3A/PIN MAX)
 - 4 IT SHOWS THE VACUUM PICKUP AREA. (SEE PAGE 2)
REMOVE THE MYLAR TAPE BEFORE MATING CONNECTORS.
 - 5 THIS IS PACKAGED IN TRAY. (40pcs/TRAY)
 - 6 BLEMISH AND HIT MARK CAN BE OCCURED THROUGH OUT THE MANUFACTURING PROCESS WHICH DOESN' T AFFECT QUALITY LEVEL.
 - 7 THE DIMENSIONS IN PARENTHESES ARE FOR REFERENCES.

| NO. | MATERIAL | FINISH | REMARKS | NO. | MATERIAL | FINISH | REMARKS |
|-----|-----------------|--|---------|-----|--------------|--|---------|
| 3 | PHOSPHOR BRONZE | CONTACT AREA :GOLD 0.1μm LEAD AREA :GOLD 0.03μm UNDER PLATING:NICKEL 1.3μm | | 5 | COPPER ALLOY | CONTACT AREA :GOLD 0.1μm LEAD AREA :TIN-PLATING 1μm UNDER PLATING:NICKEL 1.3μm | |
| 2 | POLYAMIDE | BLACK UL94V-0 | | 4 | COPPER ALLOY | CONTACT AREA :GOLD 0.1μm LEAD AREA :TIN-PLATING 1μm UNDER PLATING:NICKEL 1.3μm | |
| 1 | POLYAMIDE | BLACK UL94V-0 | | | | | |

| UNITS | SCALE | COUNT | DESCRIPTION OF REVISIONS | DESIGNED | CHECKED | DATE |
|-------|-------|-------|--------------------------|--------------|---------------|----------|
| mm | 2 : 1 | 2 | DIS-F-00017880 | KS. NAKAJIMA | HT. YAMAGUCHI | 20230331 |

| APPROVED | CHECKED | DESIGNED | DRAWN | DRAWING NO. | PART NO. | CODE NO. |
|-----------|--------------|----------|----------|------------------|-------------------|------------------|
| HS. OKAWA | KI. HIROKAWA | TH. SANO | TH. SANO | EDC-334385-00-00 | FX18-120P-0.8SV10 | CL0579-0025-0-00 |

Oct.1.2024 Copyright 2024 HIROSE ELECTRIC CO., LTD. All Rights Reserved.
 In case of consideration for using Automotive equipment / device which demand high reliability, kindly contact our sales window correspondents.

