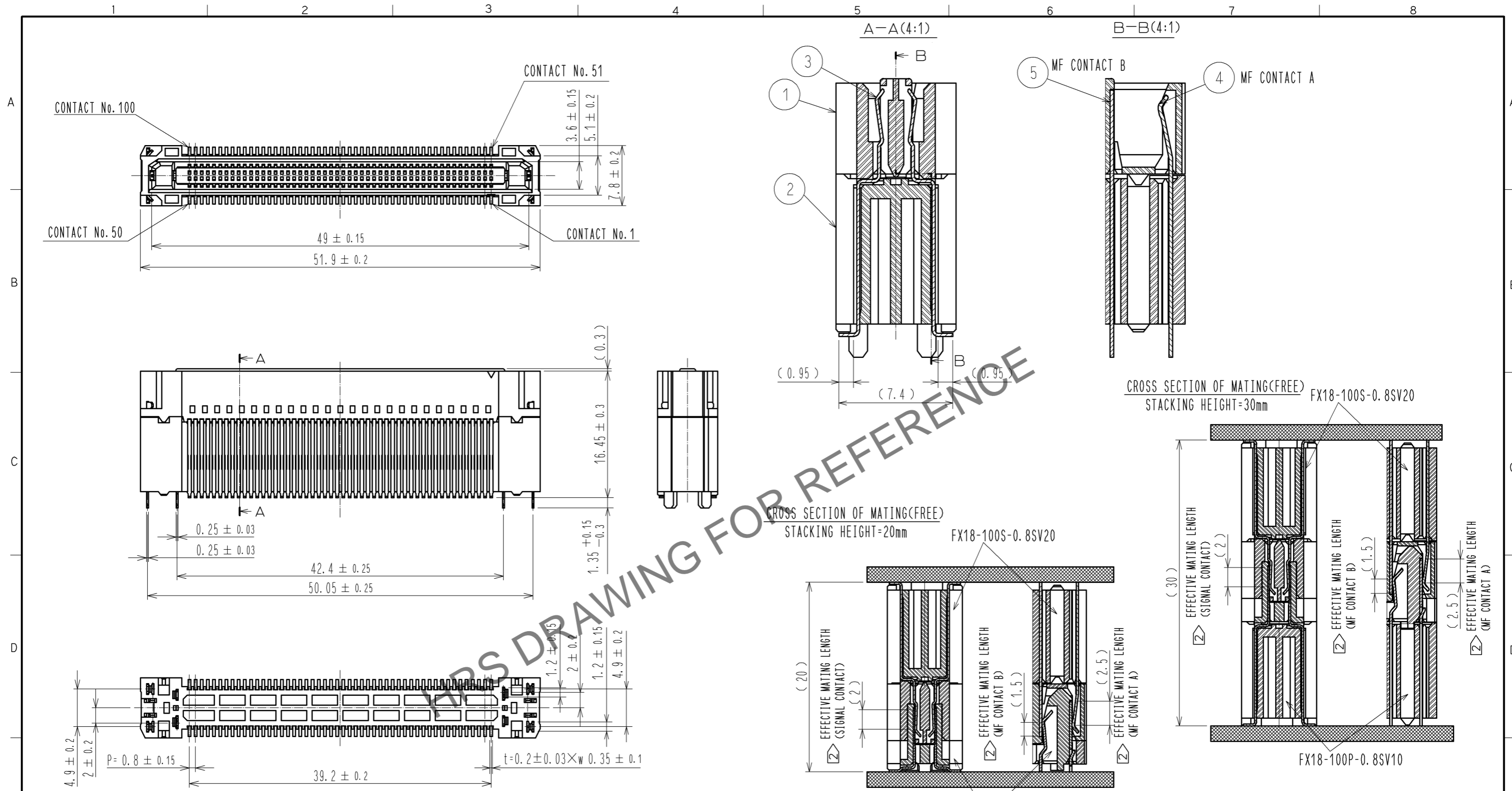


Jul.1.2024 Copyright 2024 HIROSE ELECTRIC CO., LTD. All Rights Reserved.  
 In case of consideration for using Automotive equipment / device which demand high reliability, kindly contact our sales window correspondents.



- NOTE 1 LEAD CO-PLANARITY IS 0.1mm MAX.  
 ② CONTACTS ARE 3 STEPS SEQUENTIAL. (MF CONTACT A->SIGNAL CONTACT->MF CONTACT B)  
 WHEN USING THIS SEQUENTIAL STRUCTURE, PLEASE AVOID ANGLED INSERTION.  
 ③ MF CONTACT A AND MF CONTACT B CAN BE USED AS POWER SUPPLY CONTACT. (3A/PIN MAX)  
 ④ IT SHOWS THE VACUUM PICKUP AREA. (SEE PAGE 2)  
 REMOVE THE MYLAR TAPE BEFORE MATING CONNECTORS.  
 ⑤ THIS IS PACKAGED IN TRAY. (40pcs/TRAY)  
 ⑥ BLEMISH AND HIT MARK CAN BE OCCURED THROUGH OUT THE MANUFACTURING PROCESS WHICH DOESN' T AFFECT QUALITY LEVEL.  
 ⑦ THE DIMENSIONS IN PARENTHESES ARE FOR REFERENCES.

7	POLYIMIDE	
6	POLYSTYRENE	
5	COPPER ALLOY	CONTACT AREA:GOLD 0.1μm LEAD AREA:TIN-PLATING 1μm UNDER PLATING:NICKEL 1.3μm
4	COPPER ALLOY	CONTACT AREA:GOLD 0.1μm LEAD AREA:TIN-PLATING 1μm UNDER PLATING:NICKEL 1.3μm
3	PHOSPHOR BRONZE	CONTACT AREA:GOLD 0.1μm LEAD AREA:GOLD 0.03μm UNDER PLATING:NICKEL 1.3μm
2	POLYAMIDE	BLACK UL94V-0
1	POLYAMIDE	BLACK UL94V-0

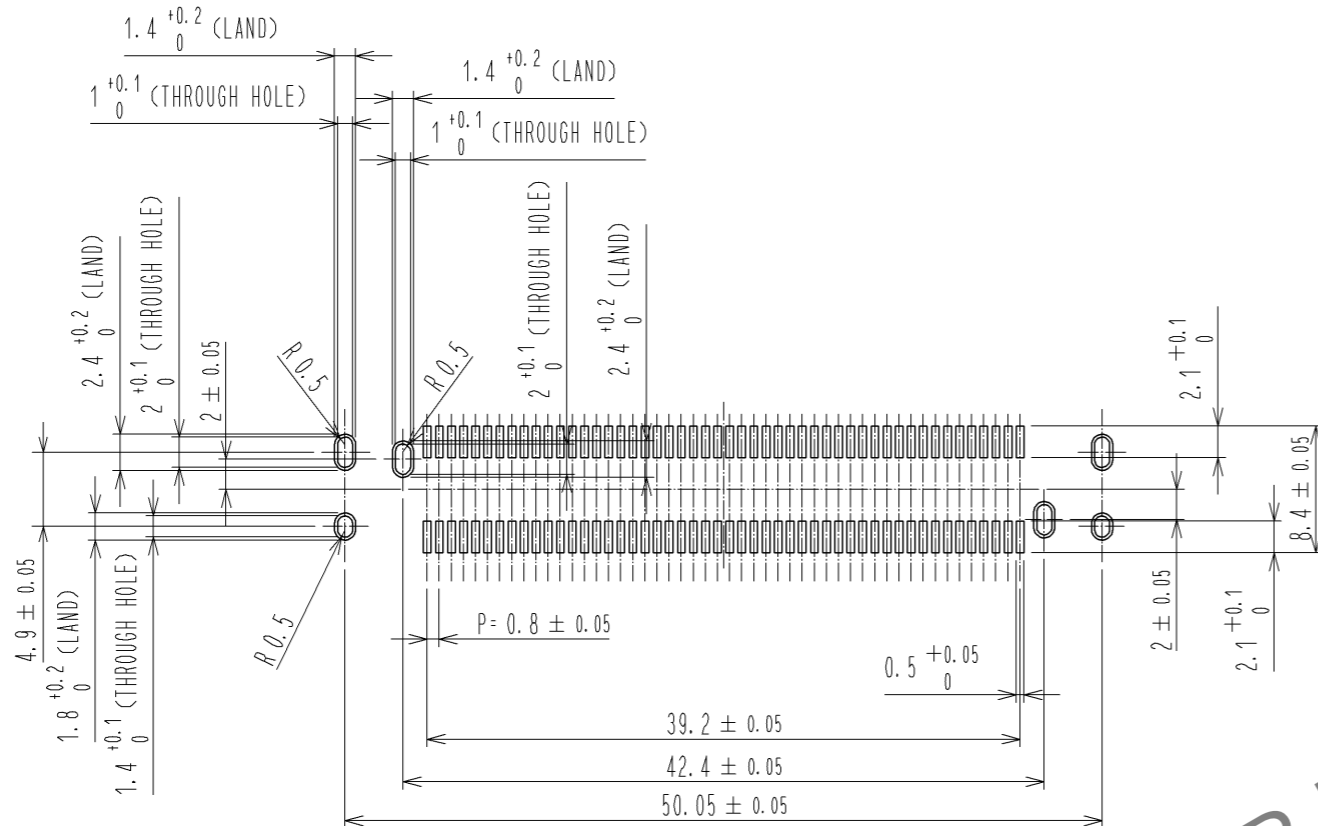
NO.	MATERIAL	FINISH	REMARKS	NO.	MATERIAL	FINISH	REMARKS

UNITS	SCALE	COUNT	DESCRIPTION OF REVISIONS	DESIGNED	CHECKED	DATE
mm	2 : 1	△				

APPROVED : HS. OKAWA	12.06.12	DRAWING NO.	EDC3-343467-00
CHECKED : KI. HIROKAWA	12.06.12	PART NO.	FX18-100S-0.8SV20
DESIGNED : AH. EDASHIGE	12.06.12	CODE NO.	CL579-0038-2-00
DRAWN : AH. EDASHIGE	12.06.12		

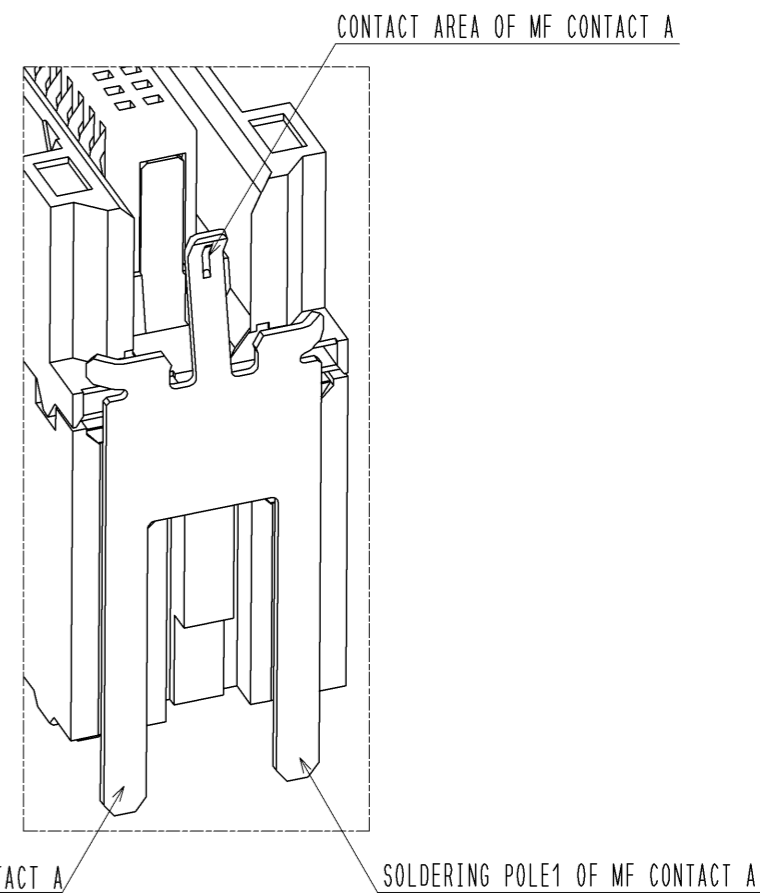
Jul.1.2024 Copyright 2024 HIROSE ELECTRIC CO., LTD. All Rights Reserved.  
 In case of consideration for using Automotive equipment / device which demand high reliability, kindly contact our sales window correspondents.

RECOMMENDED LAND PATTERN DIMENSION OF PCB(2:1)  
 (PCB THICKNESS:t=1.6mm METAL MASK THICKNESS:t=0.12mm)



5 DRAWING FOR PACKING(1:2)

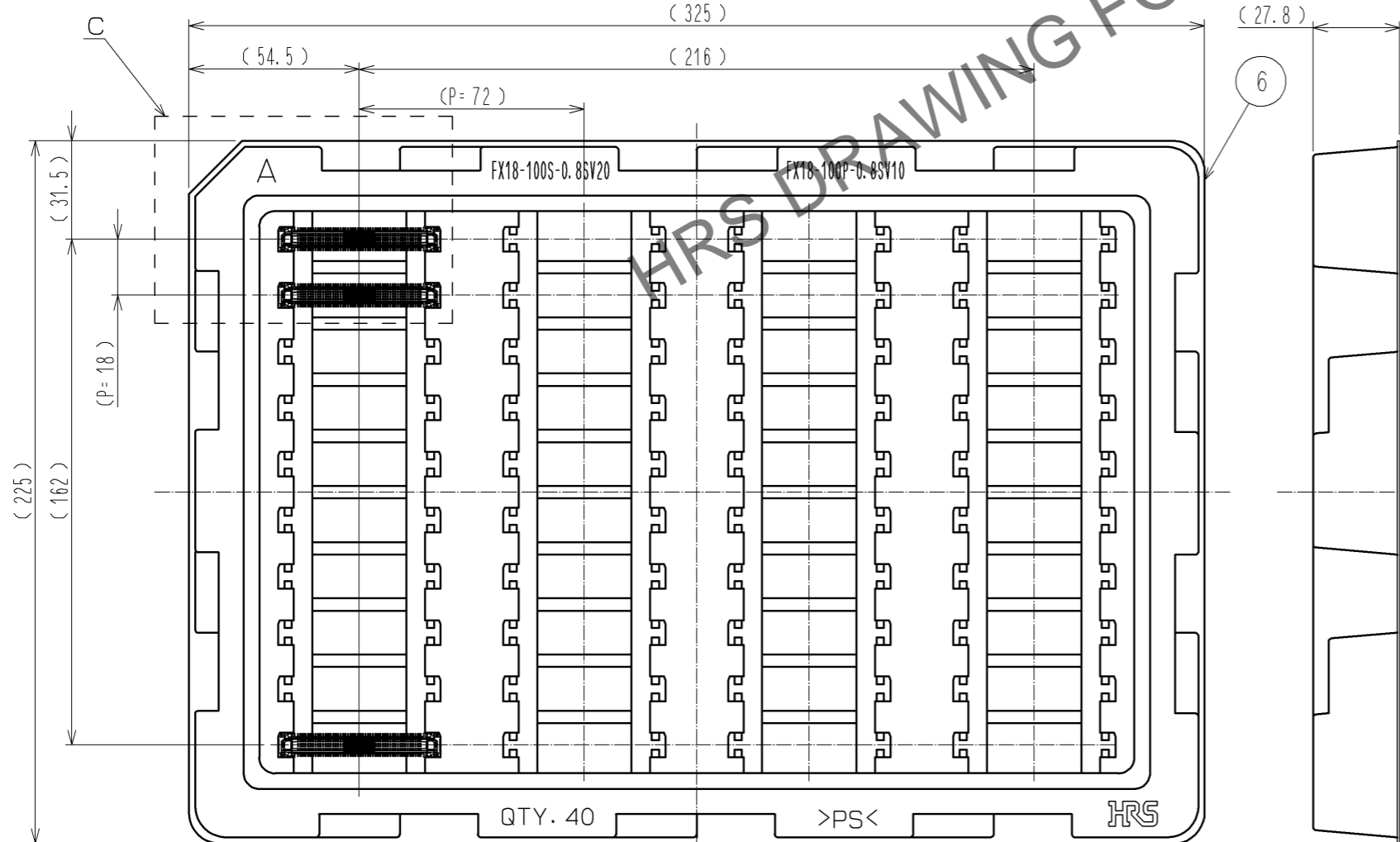
8 CONFIGURATION OF MF CONTACT A



SOLDERING POLE2 OF MF CONTACT A

SOLDERING POLE1 OF MF CONTACT A

NOTE 8 SOLDERING LEAD OF MF CONTACT A SPLITS INTO TWO POLES.  
 BE SURE TO CONNECT TO THE SAME CIRCUIT.

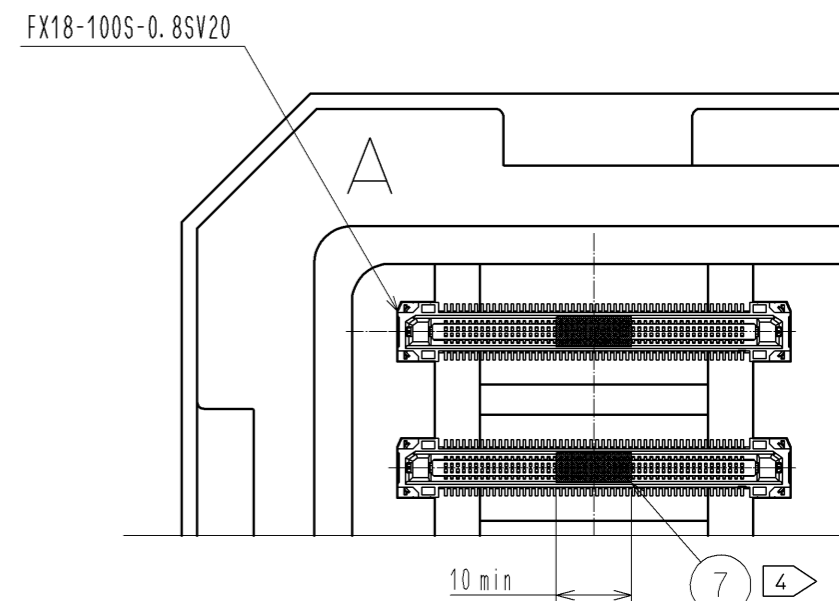


QTY. 40

>PS<

HRS

C (1:1)



HRS

DRAWING NO.	EDC3-343467-00
PART NO.	FX18-100S-0.8SV20
CODE NO.	CL579-0038-2-00

2/2