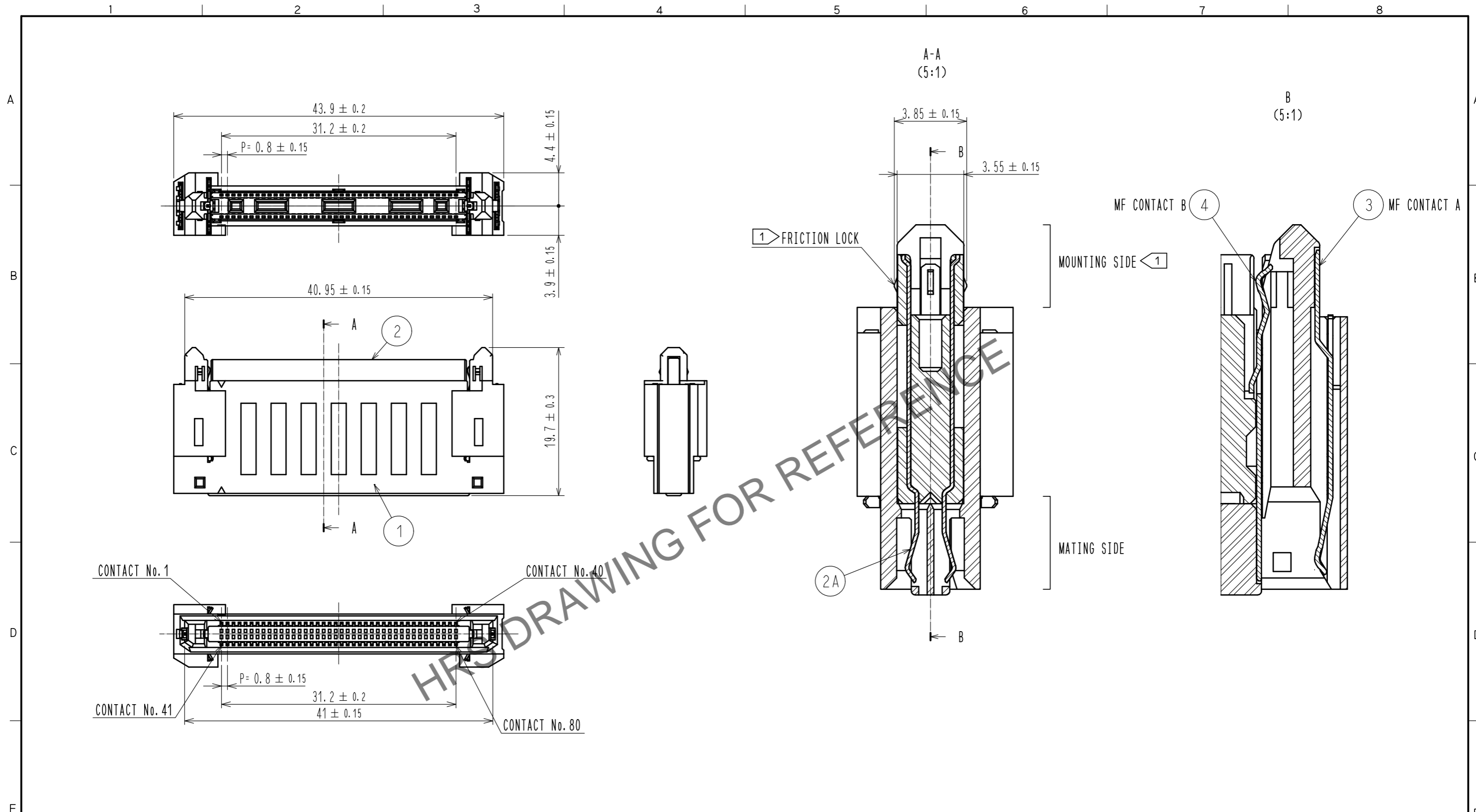


Oct.1.2024 Copyright 2024 HIROSE ELECTRIC CO., LTD. All Rights Reserved.  
 In case of consideration for using Automotive equipment / device which demand high reliability, kindly contact our sales window correspondents.



- NOTE
- 1 MOUNTING SIDE IS CONNECTED TO THE RECEPTACLE:FX18-80S-0.8SV\*\* AND STABILIZED WITH FRICTION LOCKS. THE INSERTION/WITHDRAWAL IS ALLOWED UP TO 5 TIMES.
  - 2 ALWAYS CONNECT THE MOUNTING SIDE TO THE RECEPTACLE FIRST AND THEN MATE THE MATING SIDE TO FX18-80P-0.8SV\*\*.
  - 3 THE MATING SIDE HAS SEQUENTIAL CONTACT STRUCTURE AS FOLLOWS.(MF CONTACT A=>SIGNAL CONTACT=>MF CONTACT B) WHEN USING THIS SEQUENTIAL STRUCTURE, PLEASE AVOID ANGLED INSERTION.
  - 4 MF CONTACT A AND MF CONTACT B CAN BE USED AS POWER SUPPLY CONTACT. (3A/PIN MAX)
  - 5 THIS IS PACKAGED IN TRAY.(50pcs/TRAY)
  - 6 BLEMISH AND HIT MARK CAN BE OCCURED THROUGH OUT THE MANUFACTURING PROCESS WHICH DOESN' T AFFECT QUALITY LEVEL.
  - 7 THE DIMENSIONS IN PARENTHESES ARE FOR REFERENCES.
  - 8 RECOMMENDED SPACER HEIGHT FOR EACH COMBINATION. SPACERS ARE REQUIRED TO PROTECT THE SOLDER JOINTS FROM EXCESSIVE STRESS.

NO.	MATERIAL	FINISH . REMARKS	NO.	MATERIAL	FINISH . REMARKS
2A	COPPER ALLOY	CONTACT AREA:GOLD 0.1μm UNDER PLATING:NICKEL 1.3μm	5	POLYSTYRENE	
2	PBT	BLACK UL94V-0	4	COPPER ALLOY	CONTACT AREA:GOLD 0.1μm UNDER PLATING:NICKEL 1.3μm
1	POLYAMIDE	BLACK UL94V-0	3	COPPER ALLOY	CONTACT AREA:GOLD 0.1μm UNDER PLATING:NICKEL 1.3μm

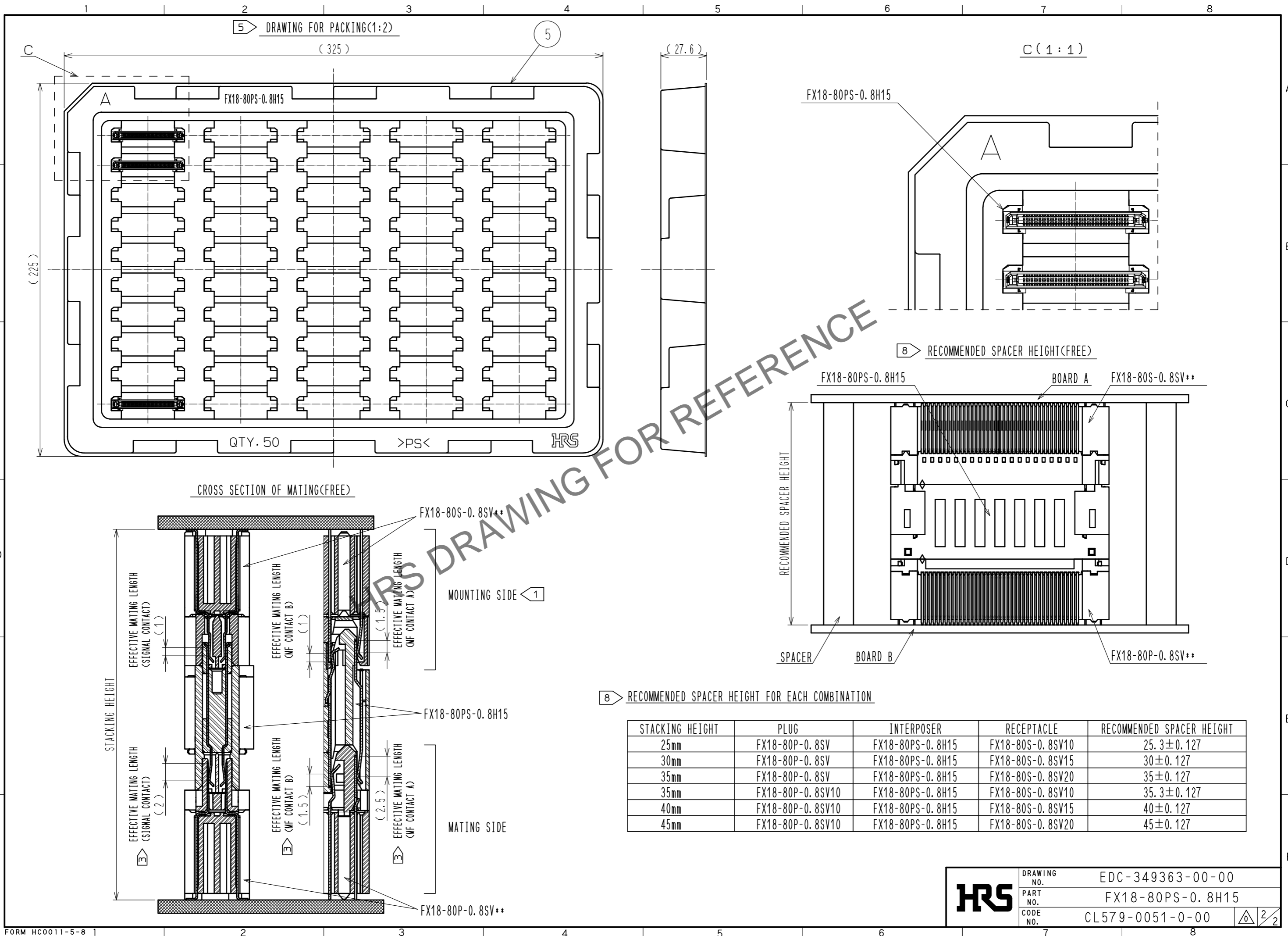
  

UNITS	SCALE	COUNT	DESCRIPTION OF REVISIONS	DESIGNED	CHECKED	DATE
mm	2 : 1	△	APPROVED : HS. OKAWA 15.04.10			
			CHECKED : HT. YAMAGUCHI 15.04.10			
			DESIGNED : TH. SANO 15.04.09			
			DRAWN : TH. SANO 15.04.09			

DRAWING NO.	PART NO.	CODE NO.
EDC-349363-00-00	FX18-80PS-0.8H15	CL579-0051-0-00

Oct.1.2024 Copyright 2024 HIROSE ELECTRIC CO., LTD. All Rights Reserved.  
 In case of consideration for using Automotive equipment / device which demand high reliability, kindly contact our sales window correspondents.



5 DRAWING FOR PACKING(1:2)

C(1:1)

CROSS SECTION OF MATING(FREE)

8 RECOMMENDED SPACER HEIGHT FOR EACH COMBINATION

STACKING HEIGHT	PLUG	INTERPOSER	RECEPTACLE	RECOMMENDED SPACER HEIGHT
25mm	FX18-80P-0.8SV	FX18-80PS-0.8H15	FX18-80S-0.8SV10	25.3±0.127
30mm	FX18-80P-0.8SV	FX18-80PS-0.8H15	FX18-80S-0.8SV15	30±0.127
35mm	FX18-80P-0.8SV	FX18-80PS-0.8H15	FX18-80S-0.8SV20	35±0.127
35mm	FX18-80P-0.8SV10	FX18-80PS-0.8H15	FX18-80S-0.8SV10	35.3±0.127
40mm	FX18-80P-0.8SV10	FX18-80PS-0.8H15	FX18-80S-0.8SV15	40±0.127
45mm	FX18-80P-0.8SV10	FX18-80PS-0.8H15	FX18-80S-0.8SV20	45±0.127

**HRS**

DRAWING NO.	EDC-349363-00-00
PART NO.	FX18-80PS-0.8H15
CODE NO.	CL579-0051-0-00

2/2