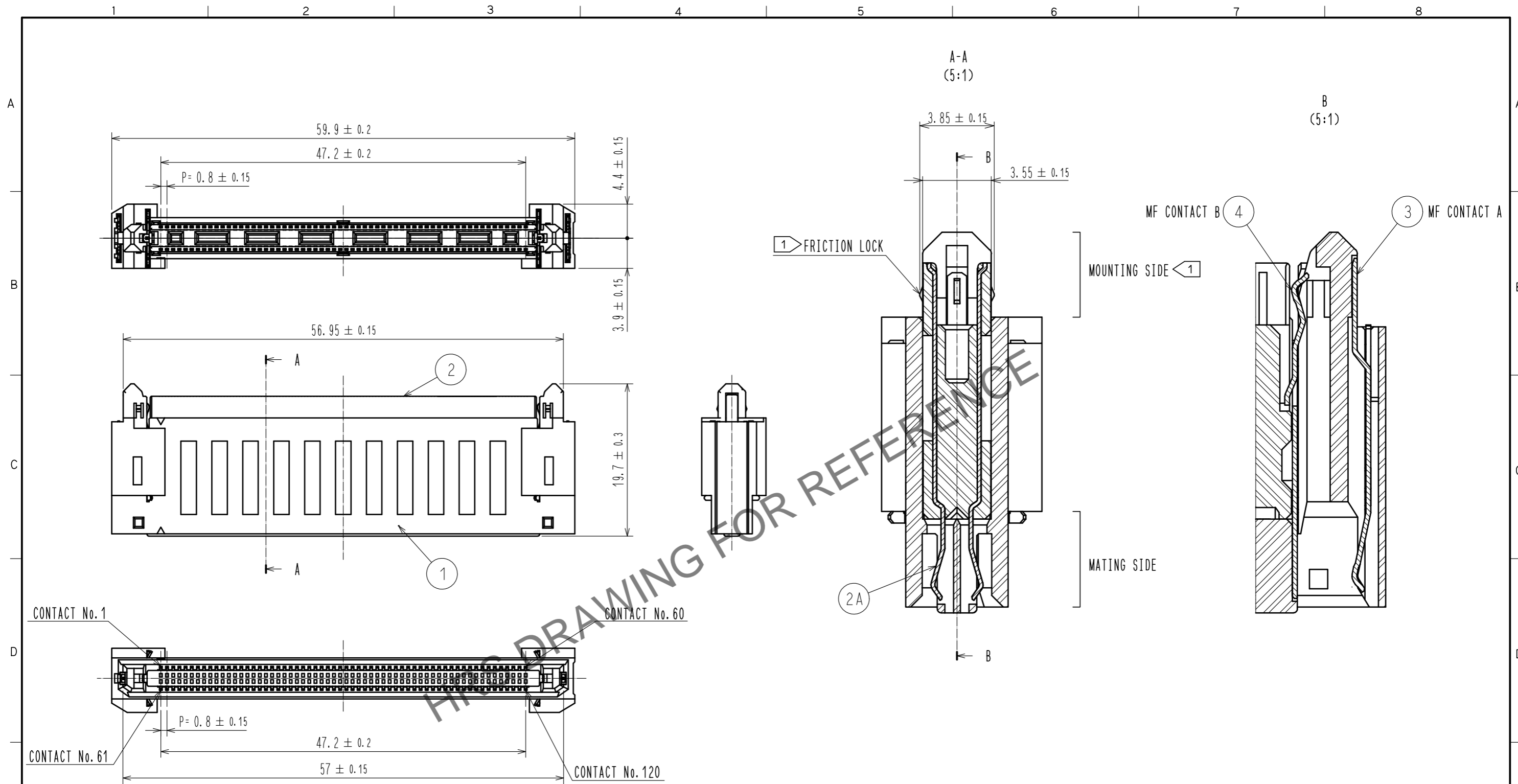


Jul.1.2024 Copyright 2024 HIROSE ELECTRIC CO., LTD. All Rights Reserved.
 In case of consideration for using Automotive equipment / device which demand high reliability, kindly contact our sales window correspondents.



- NOTE
- MOUNTING SIDE IS CONNECTED TO THE RECEPTACLE:FX18-120S-0.8SV** AND STABILIZED WITH FRICTION LOCKS. THE INSERTION/WITHDRAWAL IS ALLOWED UP TO 5 TIMES.
 - ALWAYS CONNECT THE MOUNTING SIDE TO THE RECEPTACLE FIRST AND THEN MATE THE MATING SIDE TO FX18-120P-0.8SV**.
 - THE MATING SIDE HAS SEQUENTIAL CONTACT STRUCTURE AS FOLLOWS.(MF CONTACT A=>SIGNAL CONTACT=>MF CONTACT B) WHEN USING THIS SEQUENTIAL STRUCTURE, PLEASE AVOID ANGLED INSERTION.
 - MF CONTACT A AND MF CONTACT B CAN BE USED AS POWER SUPPLY CONTACT. (3A/PIN MAX)
 - THIS IS PACKAGED IN TRAY.(40pcs/TRAY)
 - BLEMISH AND HIT MARK CAN BE OCCURED THROUGH OUT THE MANUFACTURING PROCESS WHICH DOESN' T AFFECT QUALITY LEVEL.
 - THE DIMENSIONS IN PARENTHESES ARE FOR REFERENCES.
 - RECOMMENDED SPACER HEIGHT FOR EACH COMBINATION. SPACERS ARE REQUIRED TO PROTECT THE SOLDER JOINTS FROM EXCESSIVE STRESS.

NO.	MATERIAL	FINISH .	REMARKS	NO.	MATERIAL	FINISH .	REMARKS
2A	COPPER ALLOY		CONTACT AREA:GOLD 0.1 μ m UNDER PLATING:NICKEL 1.3 μ m	5	POLYSTYRENE		
2	PBT	BLACK	UL94V-0	4	COPPER ALLOY		CONTACT AREA:GOLD 0.1 μ m UNDER PLATING:NICKEL 1.3 μ m
1	POLYAMIDE	BLACK	UL94V-0	3	COPPER ALLOY		CONTACT AREA:GOLD 0.1 μ m UNDER PLATING:NICKEL 1.3 μ m

UNITS	SCALE	COUNT	DESCRIPTION OF REVISIONS	DESIGNED	CHECKED	DATE
mm	2 : 1	△				
APPROVED : HS. OKAWA			15.06.30	DRAWING NO. EDC-349365-00-00		
CHECKED : HT. YAMAGUCHI			15.06.30	PART NO. FX18-120PS-0.8H15		
DESIGNED : TH. SANO			15.06.30	CODE NO. CL579-0053-6-00		
DRAWN : TH. SANO			15.06.30	△ 1/2		

