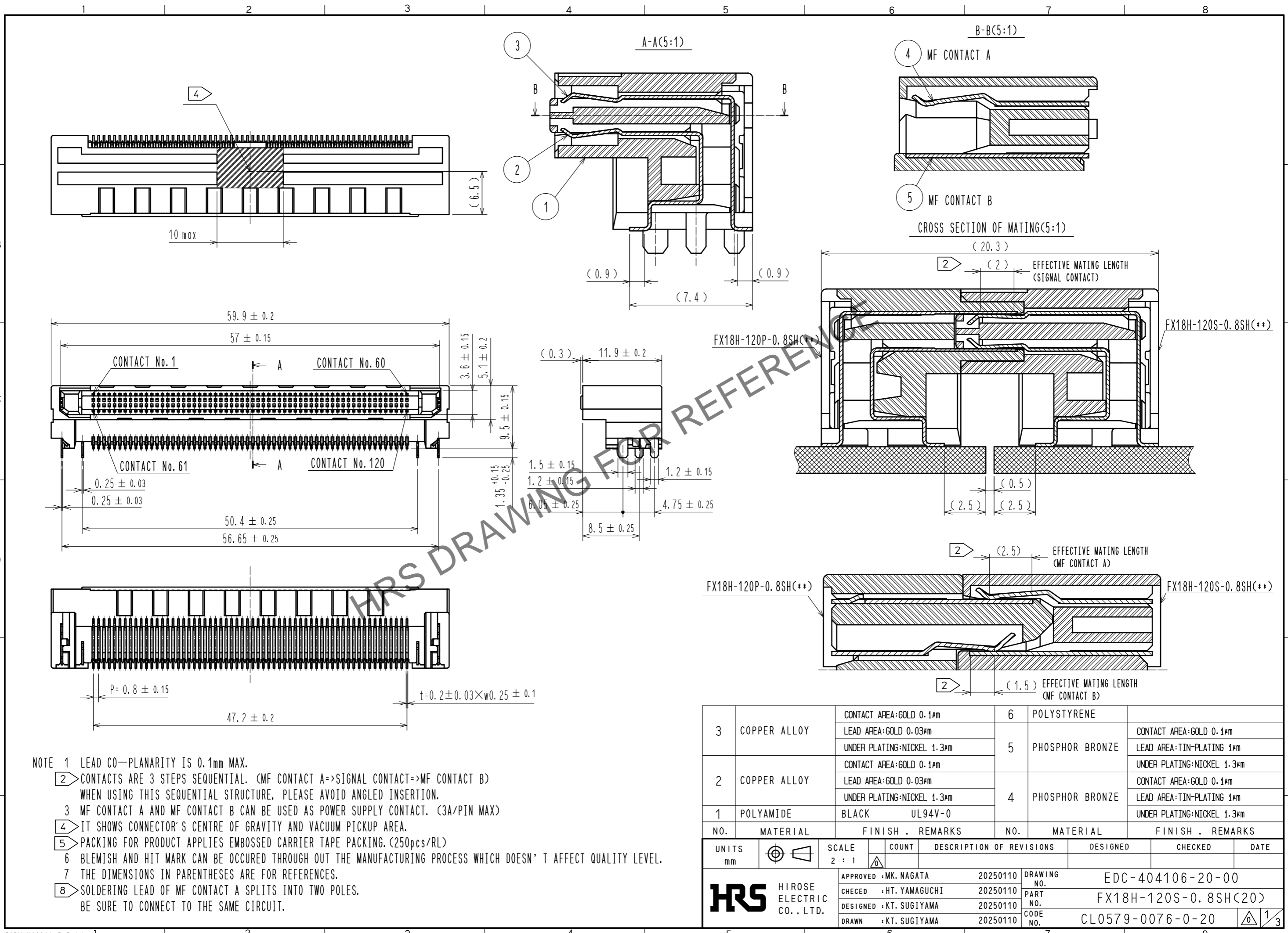


Feb.1.2025 Copyright 2025 HIROSE ELECTRIC CO., LTD. All Rights Reserved.
In case of consideration for using Automotive equipment / device which demand high reliability, kindly contact our sales window correspondents.

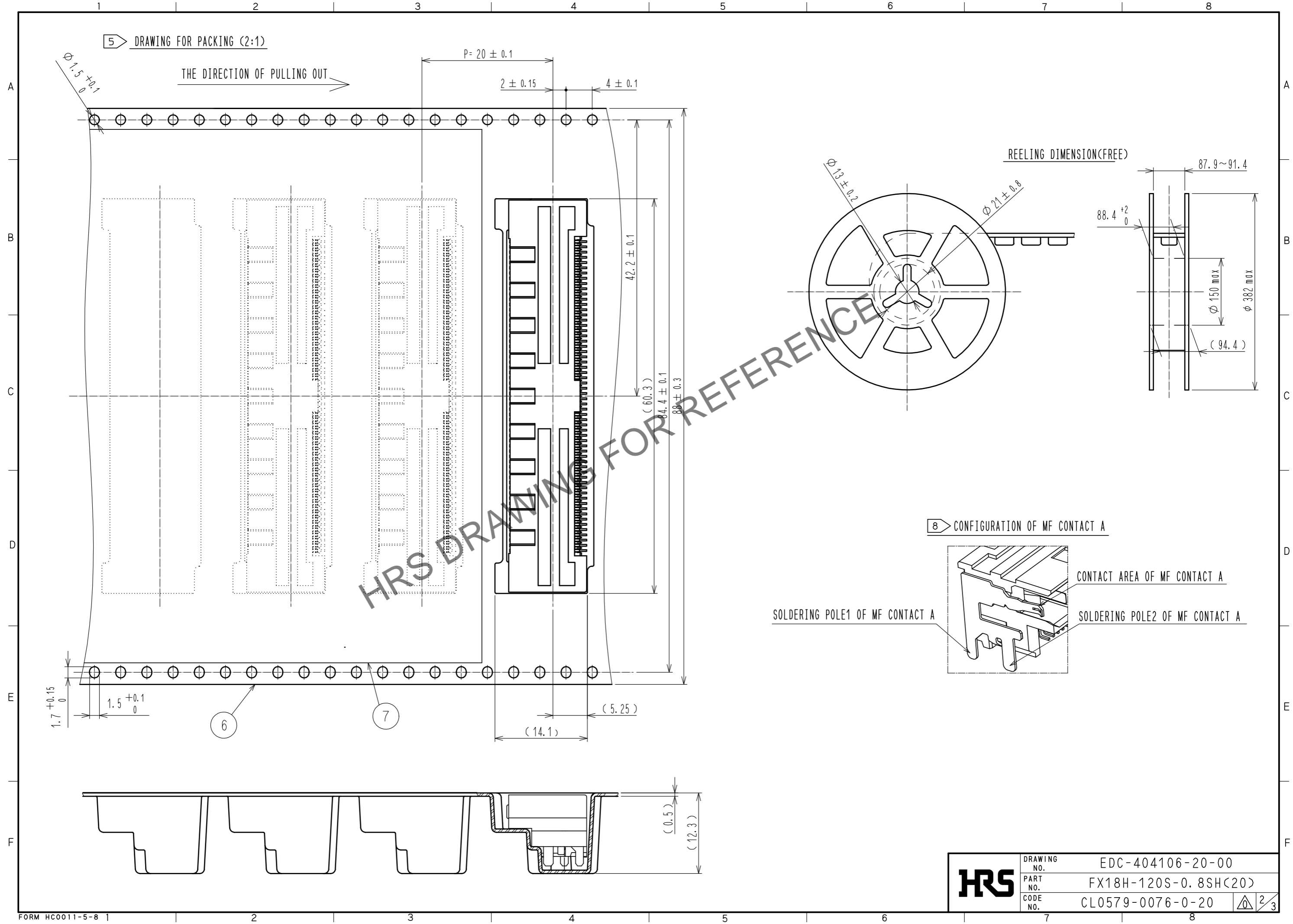


- NOTE 1 LEAD CO-PLANARITY IS 0.1mm MAX.
2 CONTACTS ARE 3 STEPS SEQUENTIAL. (MF CONTACT A => SIGNAL CONTACT => MF CONTACT B)
WHEN USING THIS SEQUENTIAL STRUCTURE, PLEASE AVOID ANGLED INSERTION.
3 MF CONTACT A AND MF CONTACT B CAN BE USED AS POWER SUPPLY CONTACT. (3A/PIN MAX)
4 IT SHOWS CONNECTOR'S CENTRE OF GRAVITY AND VACUUM PICKUP AREA.
5 PACKING FOR PRODUCT APPLIES EMBOSSED CARRIER TAPE PACKING. (250pcs/RL)
6 BLEMISH AND HIT MARK CAN BE OCCURED THROUGH OUT THE MANUFACTURING PROCESS WHICH DOESN'T AFFECT QUALITY LEVEL.
7 THE DIMENSIONS IN PARENTHESES ARE FOR REFERENCES.
8 SOLDERING LEAD OF MF CONTACT A SPLITS INTO TWO POLES.
BE SURE TO CONNECT TO THE SAME CIRCUIT.

NO.	MATERIAL	FINISH	REMARKS	NO.	MATERIAL	FINISH	REMARKS
3	COPPER ALLOY	CONTACT AREA:GOLD 0.1μm LEAD AREA:GOLD 0.03μm UNDER PLATING:NICKEL 1.3μm		6	POLYSTYRENE		
2	COPPER ALLOY	CONTACT AREA:GOLD 0.1μm LEAD AREA:GOLD 0.03μm UNDER PLATING:NICKEL 1.3μm		5	PHOSPHOR BRONZE	CONTACT AREA:GOLD 0.1μm LEAD AREA:TIN-PLATING 1μm UNDER PLATING:NICKEL 1.3μm	
1	POLYAMIDE	BLACK	UL94V-0	4	PHOSPHOR BRONZE	CONTACT AREA:GOLD 0.1μm LEAD AREA:TIN-PLATING 1μm UNDER PLATING:NICKEL 1.3μm	

UNITS	SCALE	COUNT	DESCRIPTION OF REVISIONS	DESIGNED	CHECKED	DATE
mm	2 : 1	Δ				
APPROVED : MK. NAGATA 20250110			DRAWING NO. EDC-404106-20-00			
CHECKED : HT. YAMAGUCHI 20250110			PART NO. FX18H-120S-0.8SH(20)			
DESIGNED : KT. SUGIYAMA 20250110			CODE NO. CL0579-0076-0-20			
DRAWN : KT. SUGIYAMA 20250110						

HRS HIROSE ELECTRIC CO., LTD.



5 DRAWING FOR PACKING (2:1)

THE DIRECTION OF PULLING OUT

$P = 20 \pm 0.1$

2 ± 0.15

4 ± 0.1

HRS DRAWING FOR REFERENCE

REELING DIMENSION(FREE)

8 CONFIGURATION OF MF CONTACT A

SOLDERING POLE1 OF MF CONTACT A

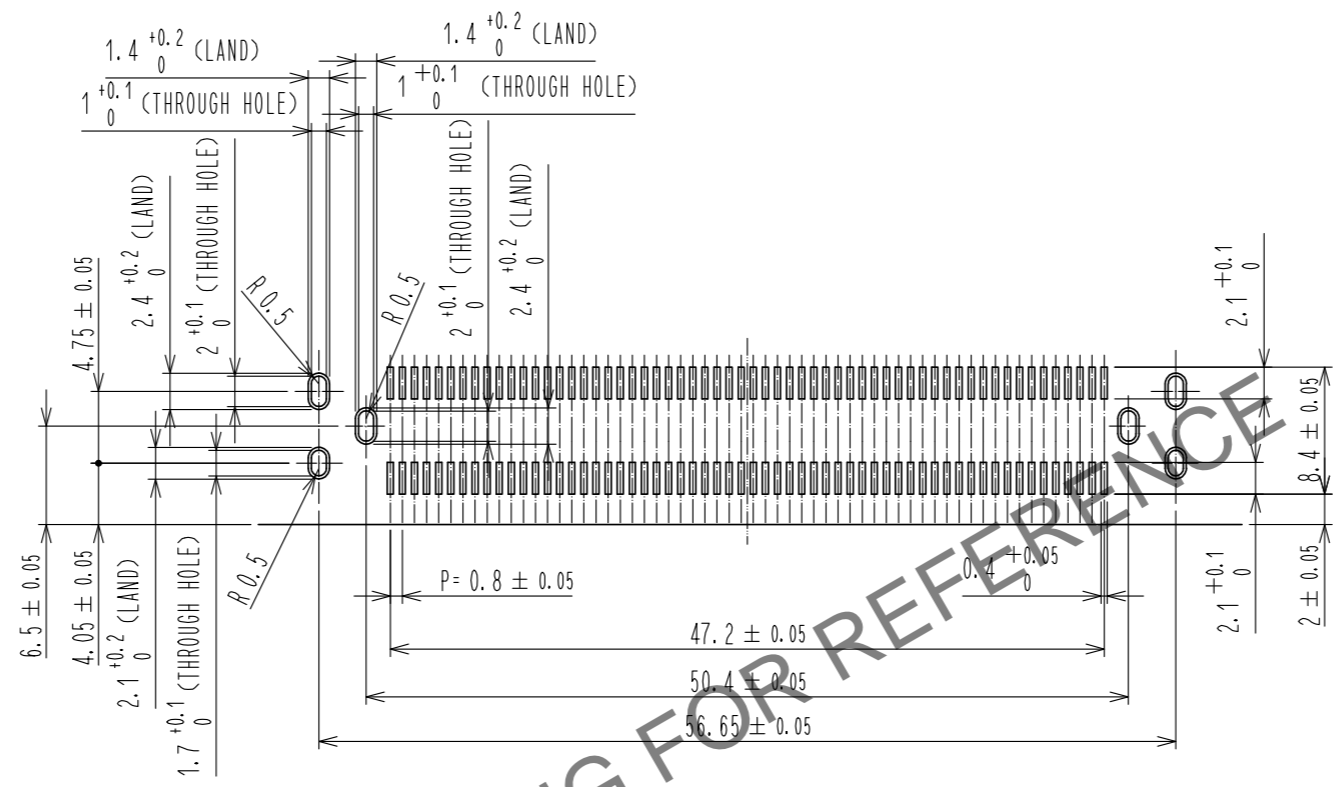
CONTACT AREA OF MF CONTACT A

SOLDERING POLE2 OF MF CONTACT A



DRAWING NO.	EDC-404106-20-00
PART NO.	FX18H-120S-0.8SH(20)
CODE NO.	CL0579-0076-0-20

RECOMMENDED LAND PATTERN DIMENSION OF PCB(2:1)
 (PCB THICKNESS: t=1.6mm, METAL MASK THICKNESS: t=0.12mm)



HRS DRAWING FOR REFERENCE

