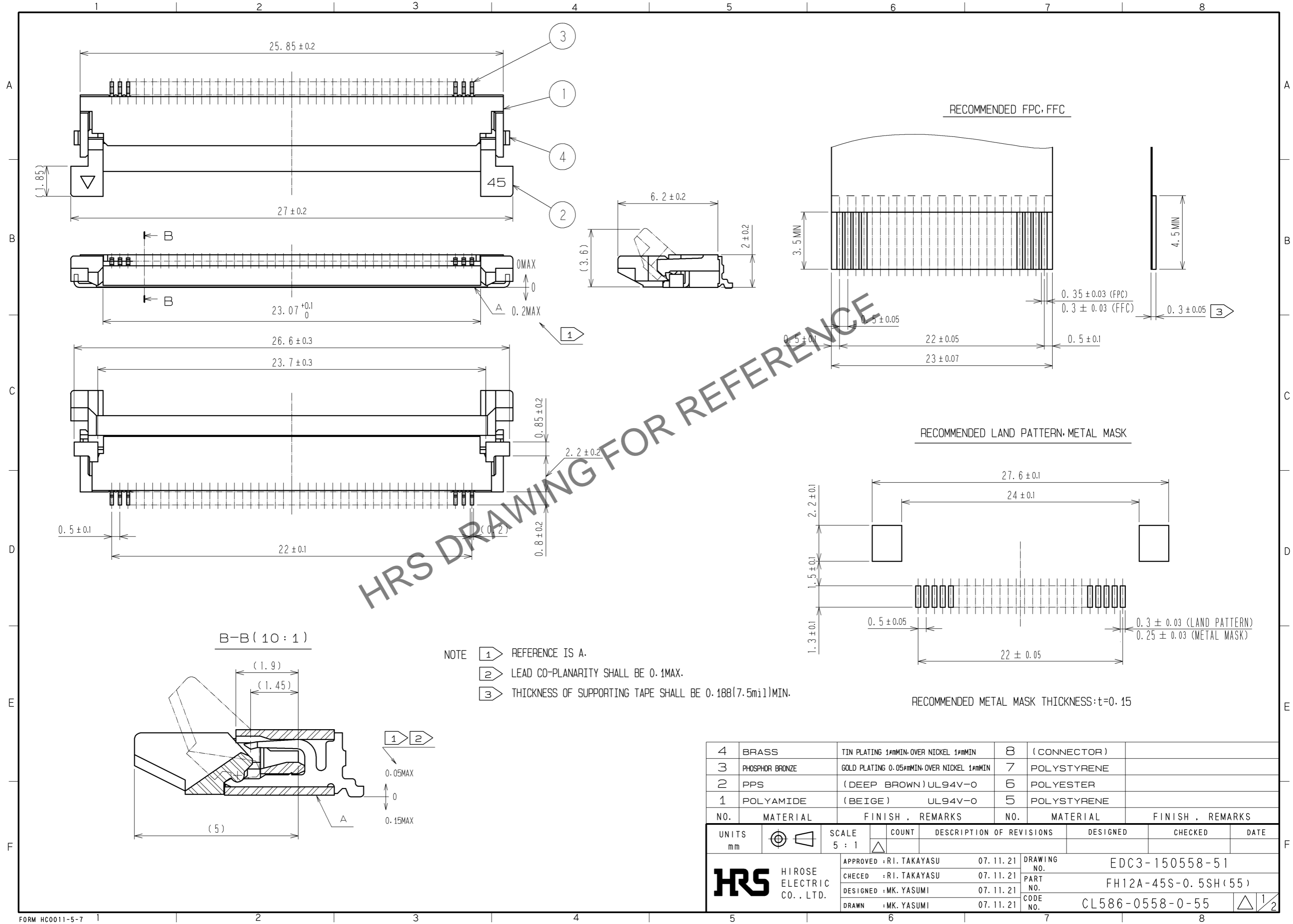
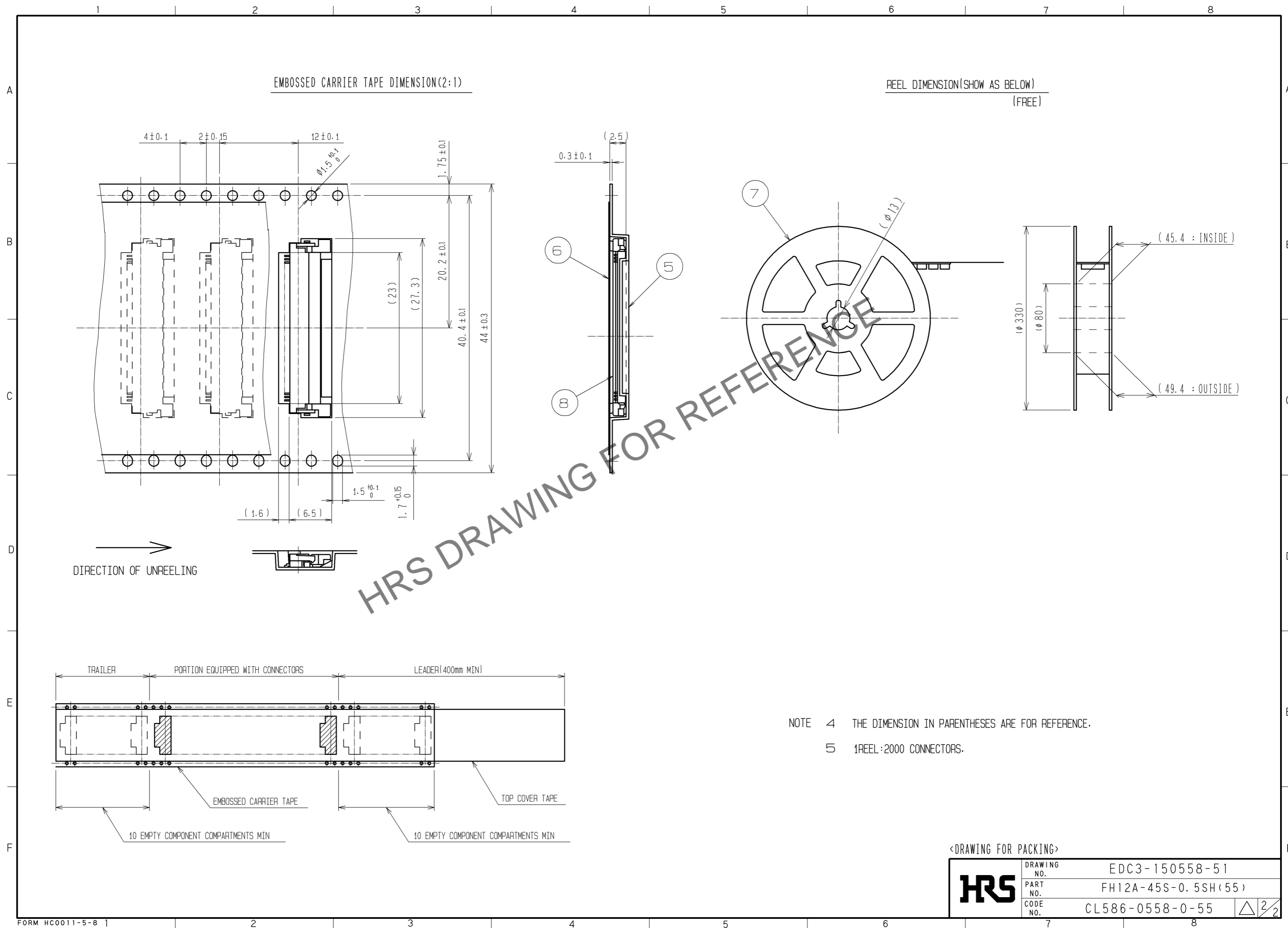


Dec.1.2024 Copyright 2024 HIROSE ELECTRIC CO., LTD. All Rights Reserved.  
In case of consideration for using Automotive equipment / device which demand high reliability, kindly contact our sales window correspondents.



Dec.1.2024 Copyright 2024 HIROSE ELECTRIC CO., LTD. All Rights Reserved.  
 In case of consideration for using Automotive equipment / device which demand high reliability, kindly contact our sales window correspondents.



<DRAWING FOR PACKING>

<b>HRS</b>	DRAWING NO.	EDC3-150558-51
	PART NO.	FH12A-45S-0.5SH(55)
	CODE NO.	CL586-0558-0-55
		$\triangle$ 2/2