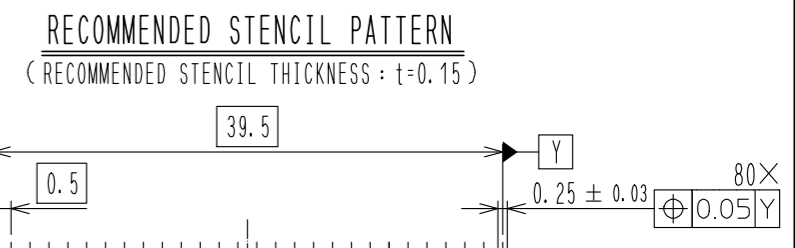
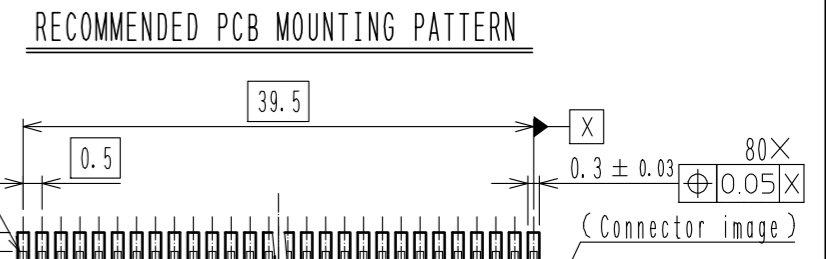
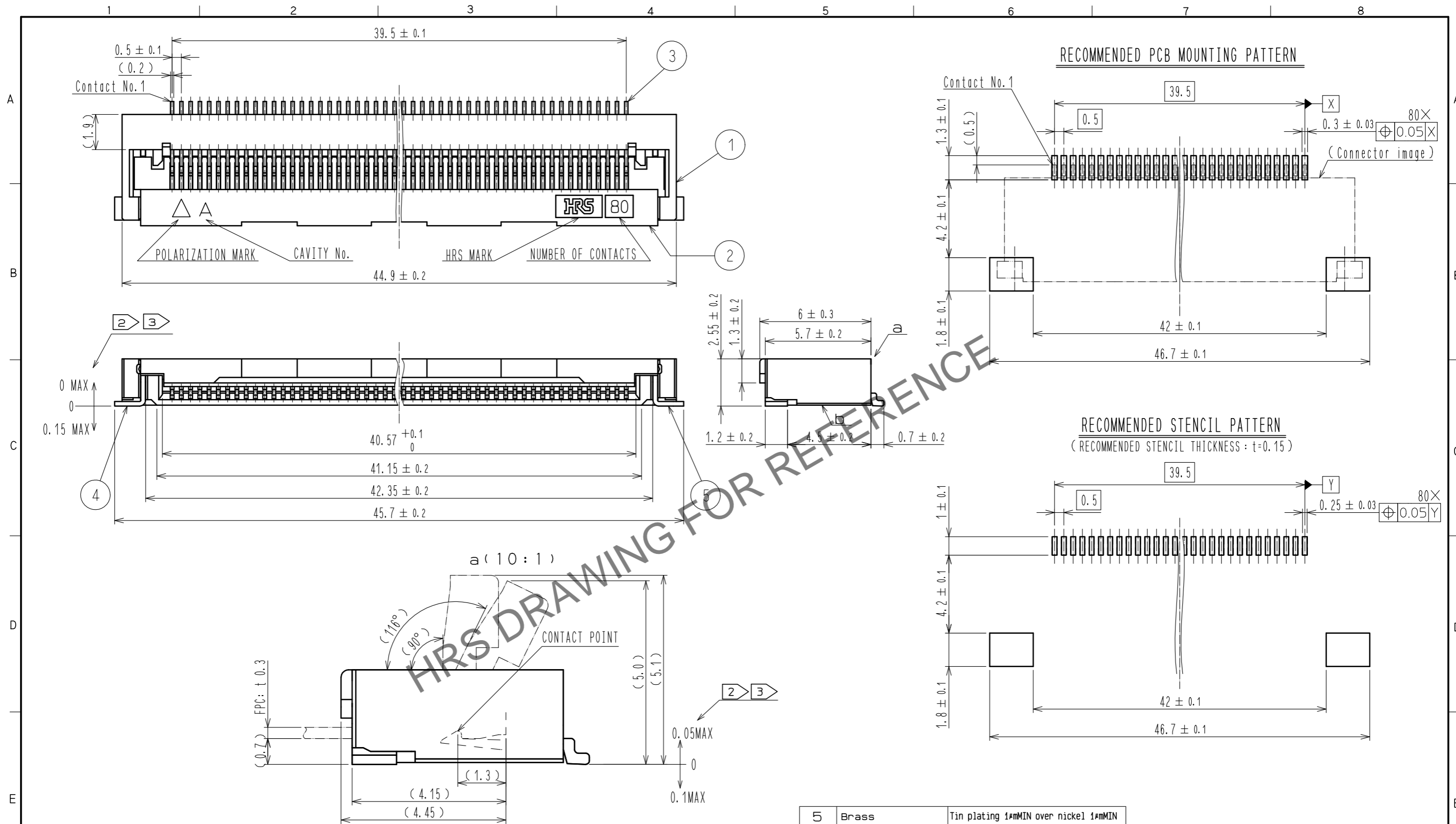


Feb.1.2025 Copyright 2025 HIROSE ELECTRIC CO., LTD. All Rights Reserved.  
In case of consideration for using Automotive equipment / device which demand high reliability, kindly contact our sales window correspondents.

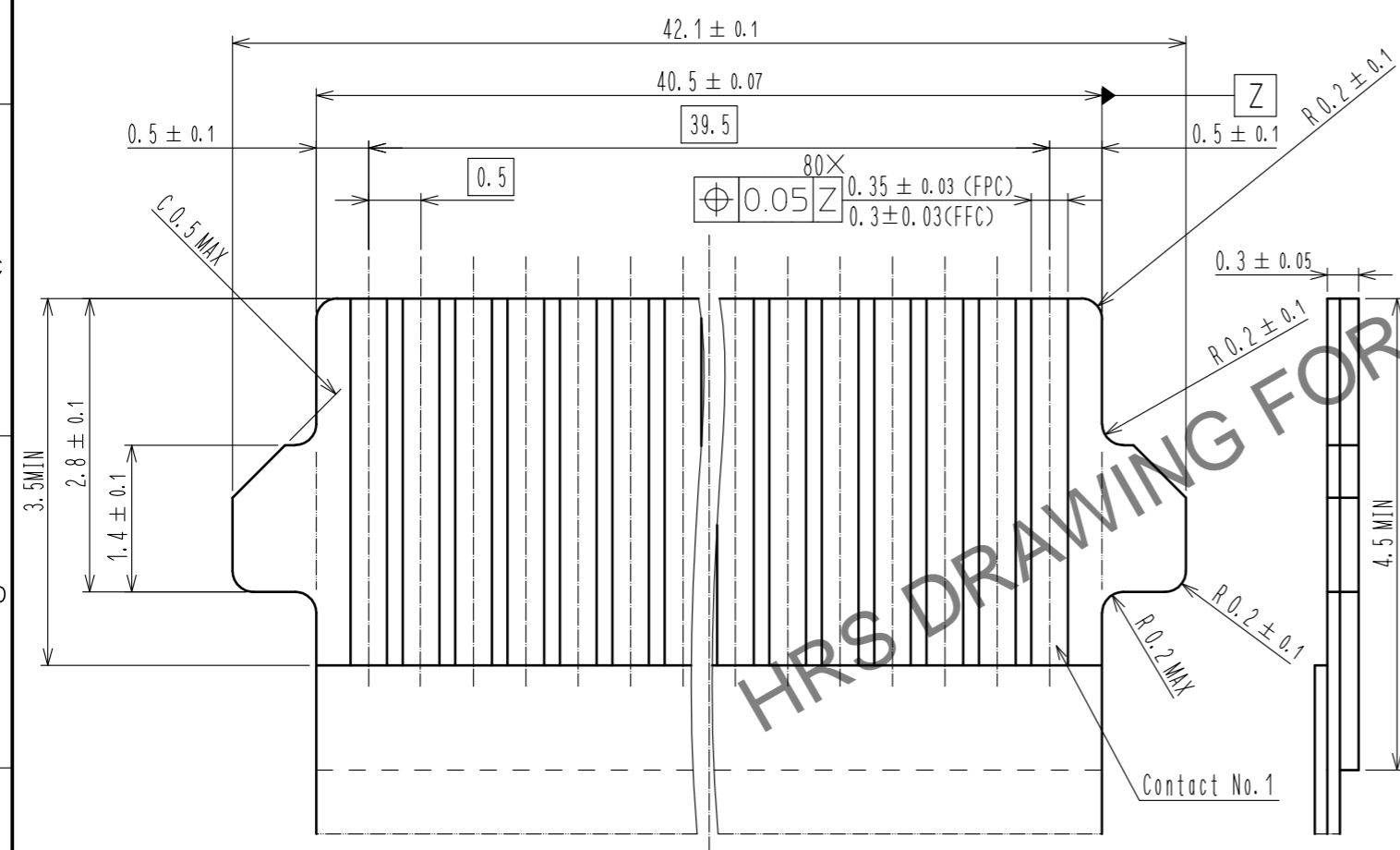


- NOTES 1. The dimensions in parentheses are for reference.  
 2 Lead CO-PLANARITY including reinforced metal fittings shall be 0.1 MAX.  
 3 Dimension: from reference b.  
 4. This product satisfies halogen free requirements defined as 900ppm maximum chlorine, 900ppm maximum bromine, and 1500ppm maximum total of chlorine and bromine.

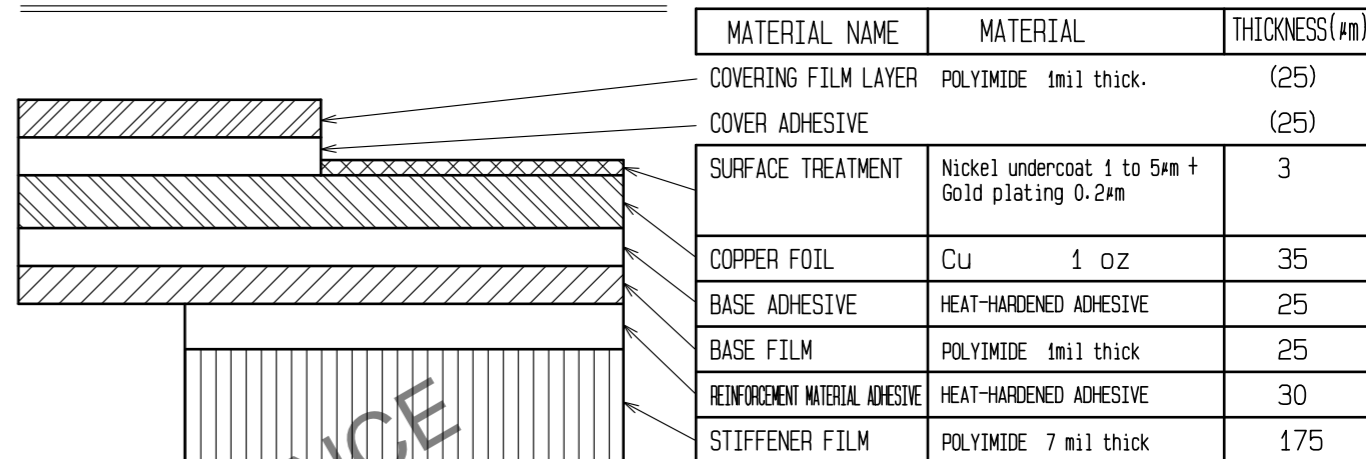
5	Brass	Tin plating 1#mMIN over nickel 1#mMIN						
4	Brass	Tin plating 1#mMIN over nickel 1#mMIN						
3	Copper alloy	(Contact area: lead)	9	(Connector)				
		(Other)	8	Polystyrene				
2	LCP	(Black) UL94V-0	7	Polyester				
1	LCP	(Gray) UL94V-0	6	Polystyrene				
NO.	MATERIAL	FINISH . REMARKS	NO.	MATERIAL	FINISH . REMARKS			
UNITS	mm	SCALE	5 : 1	COUNT	DESCRIPTION OF REVISIONS	DESIGNED	CHECKED	DATE
<b>HRS</b> HIROSE ELECTRIC CO., LTD.		APPROVED : HS. SAKAMOTO	18.08.24	DRAWING NO.	EDC-381457-00-00			
		CHECKED : FN. TAMURA	18.08.24	PART NO.	FH28KH-80S-0.5SH			
		DESIGNED : OTNIEL RINALDO	18.08.24	CODE NO.	CL586-1874-0-00			
		DRAWN : ST. YUDATE	18.08.24					

Feb.1.2025 Copyright 2025 HIROSE ELECTRIC CO., LTD. All Rights Reserved.  
 In case of consideration for using Automotive equipment / device which demand high reliability, kindly contact our sales window correspondents.

RECOMMENDED FPC/FFC (15:1)

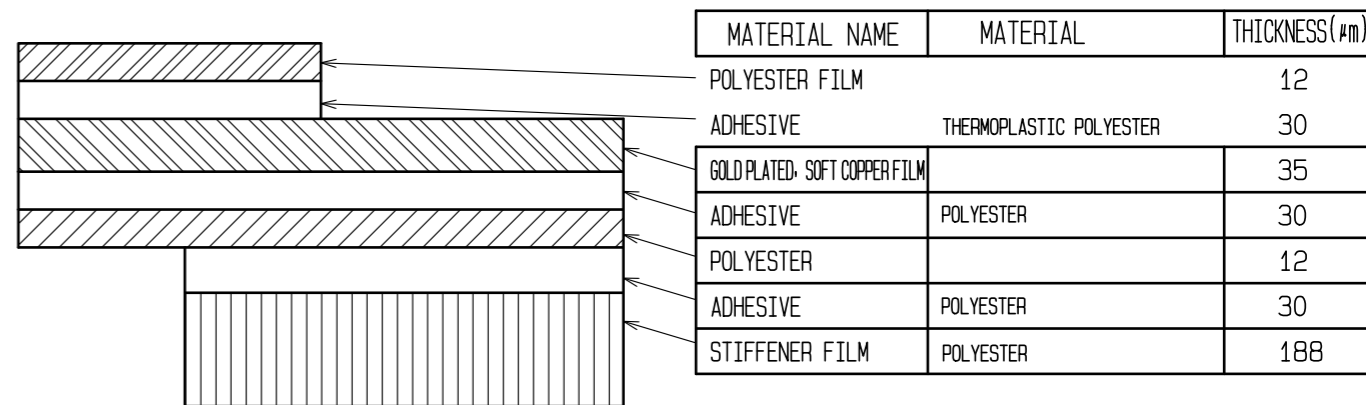


FPC CONFIGURATION (REFERENCE EXAMPLE) (SCALE:FREE)



MATERIAL NAME	MATERIAL	THICKNESS(μm)
COVERING FILM LAYER	POLYIMIDE 1mil thick.	(25)
COVER ADHESIVE		(25)
SURFACE TREATMENT	Nickel undercoat 1 to 5μm + Gold plating 0.2μm	3
COPPER FOIL	Cu 1 oz	35
BASE ADHESIVE	HEAT-HARDENED ADHESIVE	25
BASE FILM	POLYIMIDE 1mil thick	25
REINFORCEMENT MATERIAL ADHESIVE	HEAT-HARDENED ADHESIVE	30
STIFFENER FILM	POLYIMIDE 7 mil thick	175

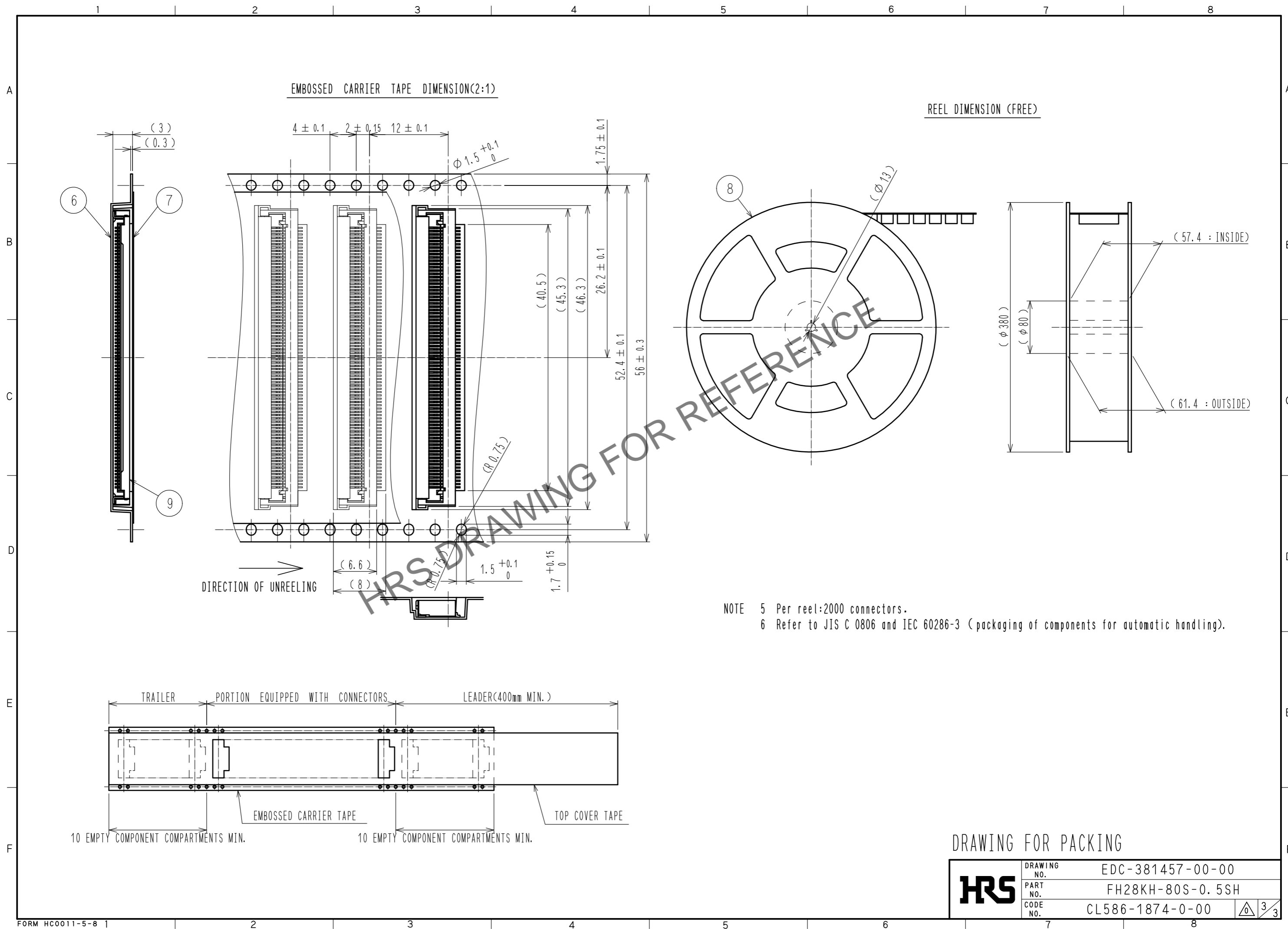
FFC CONFIGURATION (REFERENCE EXAMPLE) (SCALE:FREE)



MATERIAL NAME	MATERIAL	THICKNESS(μm)
POLYESTER FILM		12
ADHESIVE	THERMOPLASTIC POLYESTER	30
GOLD PLATED SOFT COPPER FILM		35
ADHESIVE	POLYESTER	30
POLYESTER		12
ADHESIVE	POLYESTER	30
STIFFENER FILM	POLYESTER	188

<b>HRS</b>	DRAWING NO.	EDC-381457-00-00
	PART NO.	FH28KH-80S-0.5SH
	CODE NO.	CL586-1874-0-00

Feb.1.2025 Copyright 2025 HIROSE ELECTRIC CO., LTD. All Rights Reserved.  
 In case of consideration for using Automotive equipment / device which demand high reliability, kindly contact our sales window correspondents.



DRAWING FOR PACKING

<b>HRS</b>	DRAWING NO.	EDC-381457-00-00
	PART NO.	FH28KH-80S-0.5SH
	CODE NO.	CL586-1874-0-00
		3/3