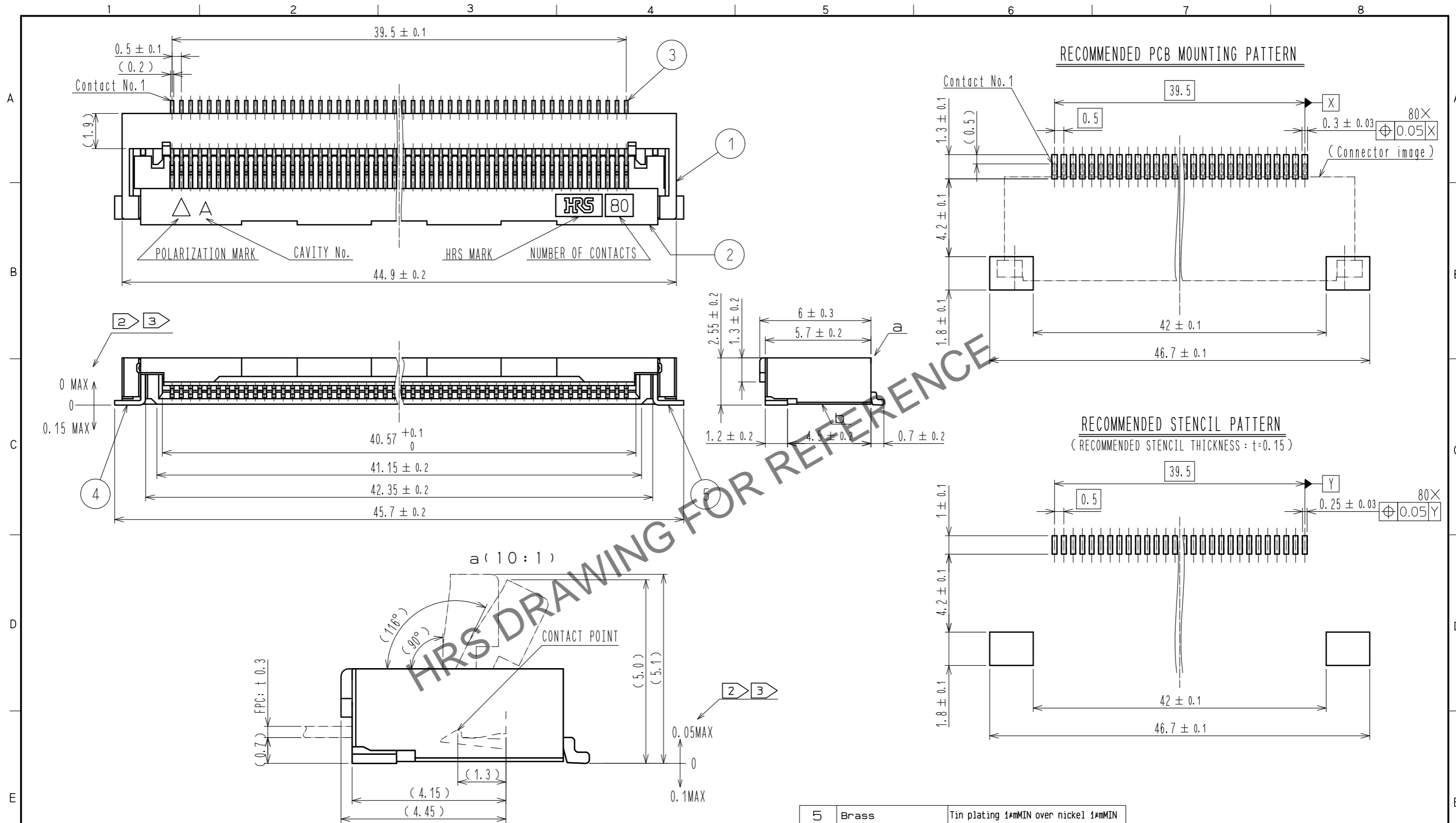


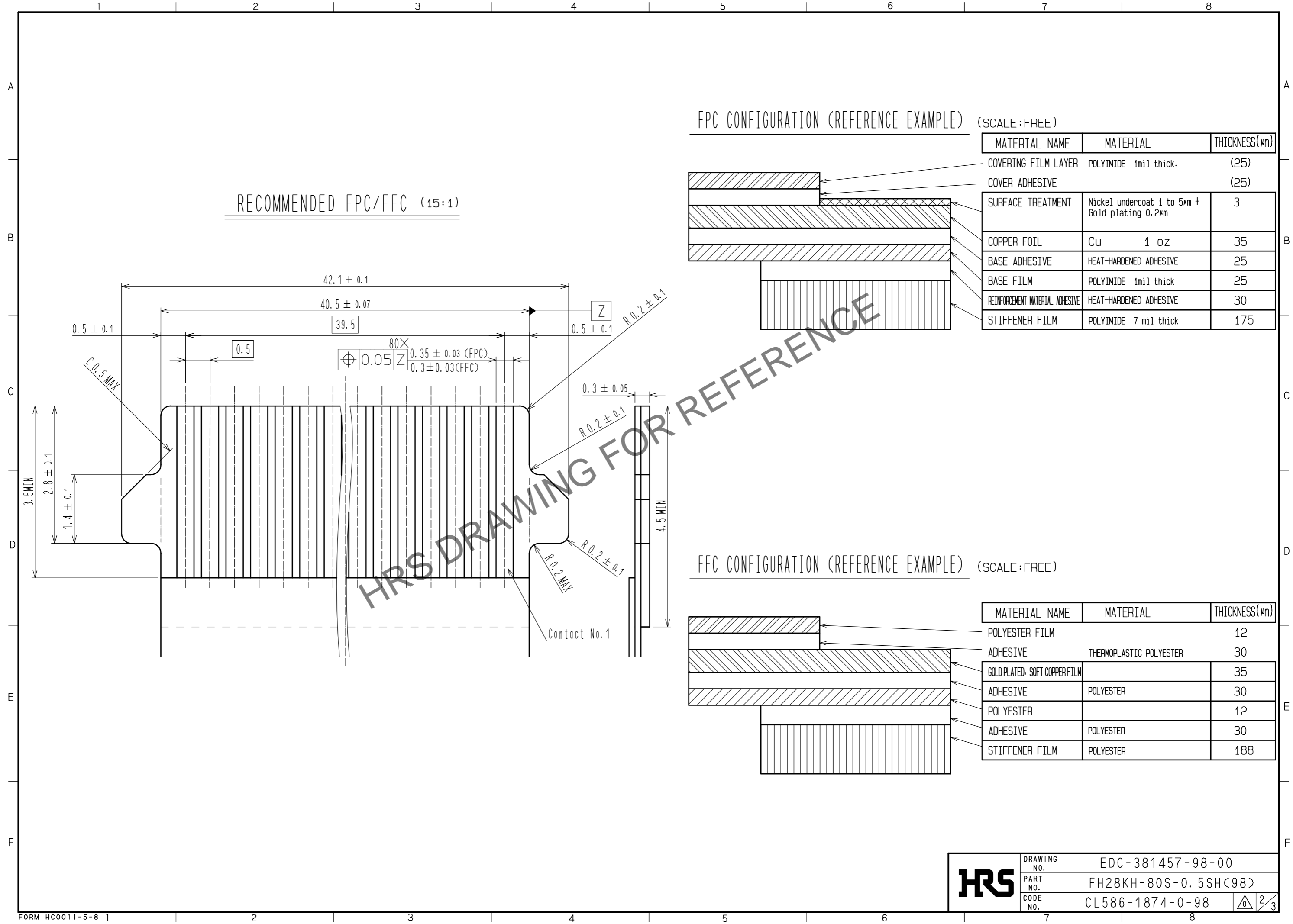
Dec.1.2024 Copyright 2024 HIROSE ELECTRIC CO., LTD. All Rights Reserved.
In case of consideration for using Automotive equipment / device which demand high reliability, kindly contact our sales window correspondents.



- NOTES 1. The dimensions in parentheses are for reference.
 2 Lead CO-PLANARITY including reinforced metal fittings shall be 0.1 MAX.
 3 Dimension: from reference b.
 4. This product satisfies halogen free requirements defined as 900ppm maximum chlorine, 900ppm maximum bromine, and 1500ppm maximum total of chlorine and bromine.

5	Brass	Tin plating 1#mMIN over nickel 1#mMIN						
4	Brass	Tin plating 1#mMIN over nickel 1#mMIN						
3	Copper alloy	(Contact area: lead) Gold plating 0.03#mMIN over nickel 1#mMIN (Other) Nickel plating 1#mMIN	9	(Connector)				
2	LCP	(Black)	7	Polystyrene				
1	LCP	(Gray)	6	Polystyrene				
NO.	MATERIAL	FINISH . REMARKS	NO.	MATERIAL	FINISH . REMARKS			
UNITS	mm	SCALE	5 : 1	COUNT	DESCRIPTION OF REVISIONS	DESIGNED	CHECKED	DATE
		APPROVED : HS. SAKAMOTO	20200309	DRAWING NO.		EDC-381457-98-00		
		CHECKED : FN. TAMURA	20200309	PART NO.		FH28KH-80S-0.5SH(98)		
		DESIGNED : KN. KOBAYASHI	20200306	CODE NO.		CL586-1874-0-98		
		DRAWN : NM. YONEYAMA	20200306			1/3		

Dec.1.2024 Copyright 2024 HIROSE ELECTRIC CO., LTD. All Rights Reserved.
 In case of consideration for using Automotive equipment / device which demand high reliability, kindly contact our sales window correspondents.



RECOMMENDED FPC/FFC (15:1)

FPC CONFIGURATION (REFERENCE EXAMPLE) (SCALE:FREE)

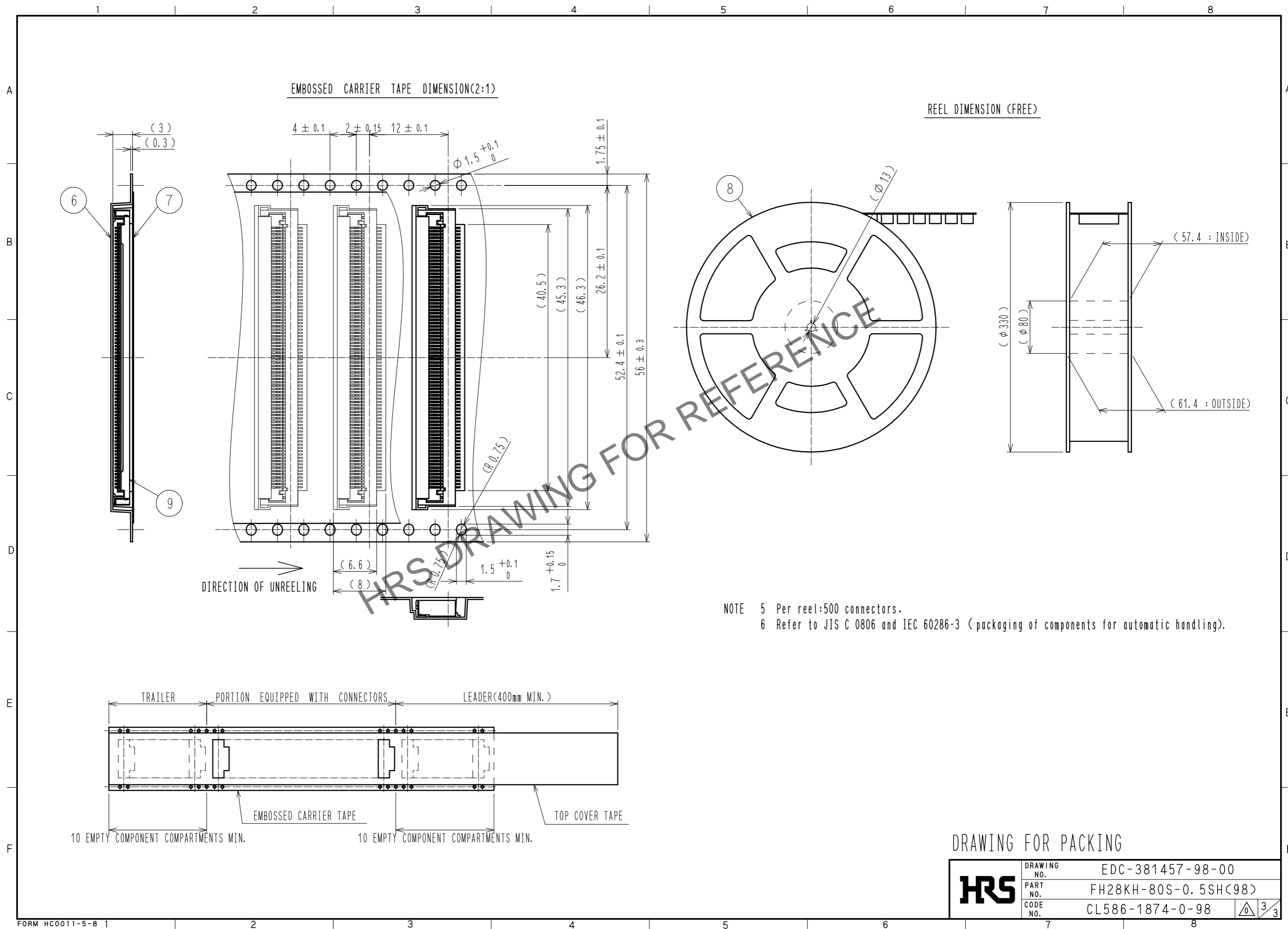
MATERIAL NAME	MATERIAL	THICKNESS(μm)
COVERING FILM LAYER	POLYIMIDE 1mil thick.	(25)
COVER ADHESIVE		(25)
SURFACE TREATMENT	Nickel undercoat 1 to 5μm + Gold plating 0.2μm	3
COPPER FOIL	Cu 1 oz	35
BASE ADHESIVE	HEAT-HARDENED ADHESIVE	25
BASE FILM	POLYIMIDE 1mil thick	25
REINFORCEMENT MATERIAL ADHESIVE	HEAT-HARDENED ADHESIVE	30
STIFFENER FILM	POLYIMIDE 7 mil thick	175

FFC CONFIGURATION (REFERENCE EXAMPLE) (SCALE:FREE)

MATERIAL NAME	MATERIAL	THICKNESS(μm)
POLYESTER FILM		12
ADHESIVE	THERMOPLASTIC POLYESTER	30
GOLD PLATED SOFT COPPER FILM		35
ADHESIVE	POLYESTER	30
POLYESTER		12
ADHESIVE	POLYESTER	30
STIFFENER FILM	POLYESTER	188

HRS	DRAWING NO.	EDC-381457-98-00
	PART NO.	FH28KH-80S-0.5SH(98)
	CODE NO.	CL586-1874-0-98

Dec.1.2024 Copyright 2024 HIROSE ELECTRIC CO., LTD. All Rights Reserved.
 In case of consideration for using Automotive equipment / device which demand high reliability, kindly contact our sales window correspondents.



DRAWING FOR PACKING

HRS	DRAWING NO.	EDC-381457-98-00
	PART NO.	FH28KH-80S-0.5SH(98)
	CODE NO.	CL586-1874-0-98
		3/3