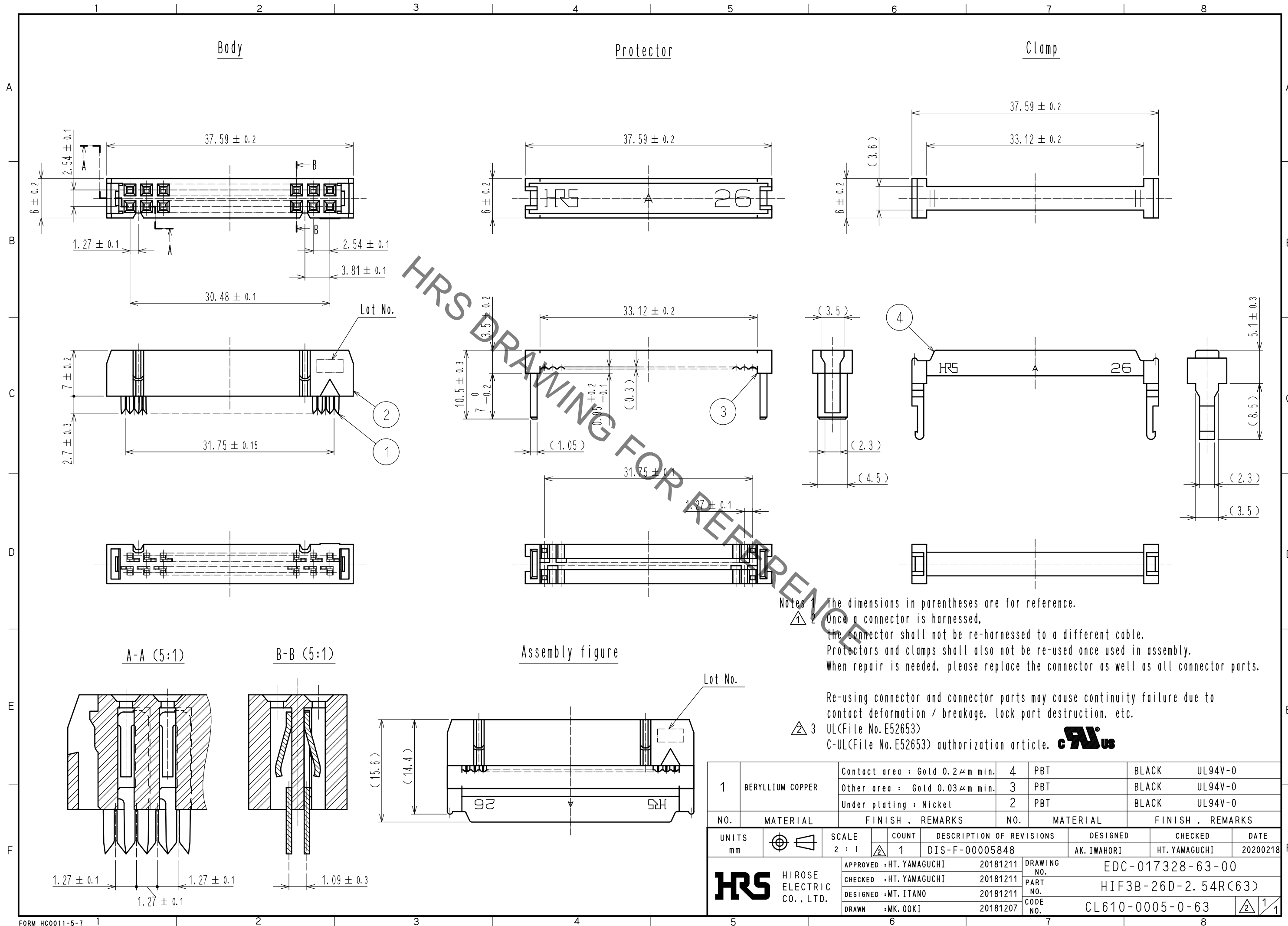


Jan.1.2022 Copyright 2022 HIROSE ELECTRIC CO., LTD. All Rights Reserved.
 In case of consideration for using Automotive equipment / device which demand high reliability, kindly contact our sales window correspondents.



1	BERYLLIUM COPPER	Contact area : Gold 0.2 μm min.	4	PBT	BLACK	UL94V-0
		Other area : Gold 0.03 μm min.	3	PBT	BLACK	UL94V-0
		Under plating : Nickel	2	PBT	BLACK	UL94V-0
NO.	MATERIAL	FINISH . REMARKS	NO.	MATERIAL	FINISH . REMARKS	
UNITS	mm	SCALE	COUNT	DESCRIPTION OF REVISIONS		DESIGNED
		2 : 1	1	DIS-F-00005848		AK. IWAHORI
				DATE	CHECKED	20200218
APPROVED : HT. YAMAGUCHI		20181211	DRAWING NO.		EDC-017328-63-00	
CHECKED : HT. YAMAGUCHI		20181211	PART NO.		HIF3B-26D-2.54R(63)	
DESIGNED : MT. ITANO		20181211	CODE NO.		CL610-0005-0-63	
DRAWN : MK. OOKI		20181207				