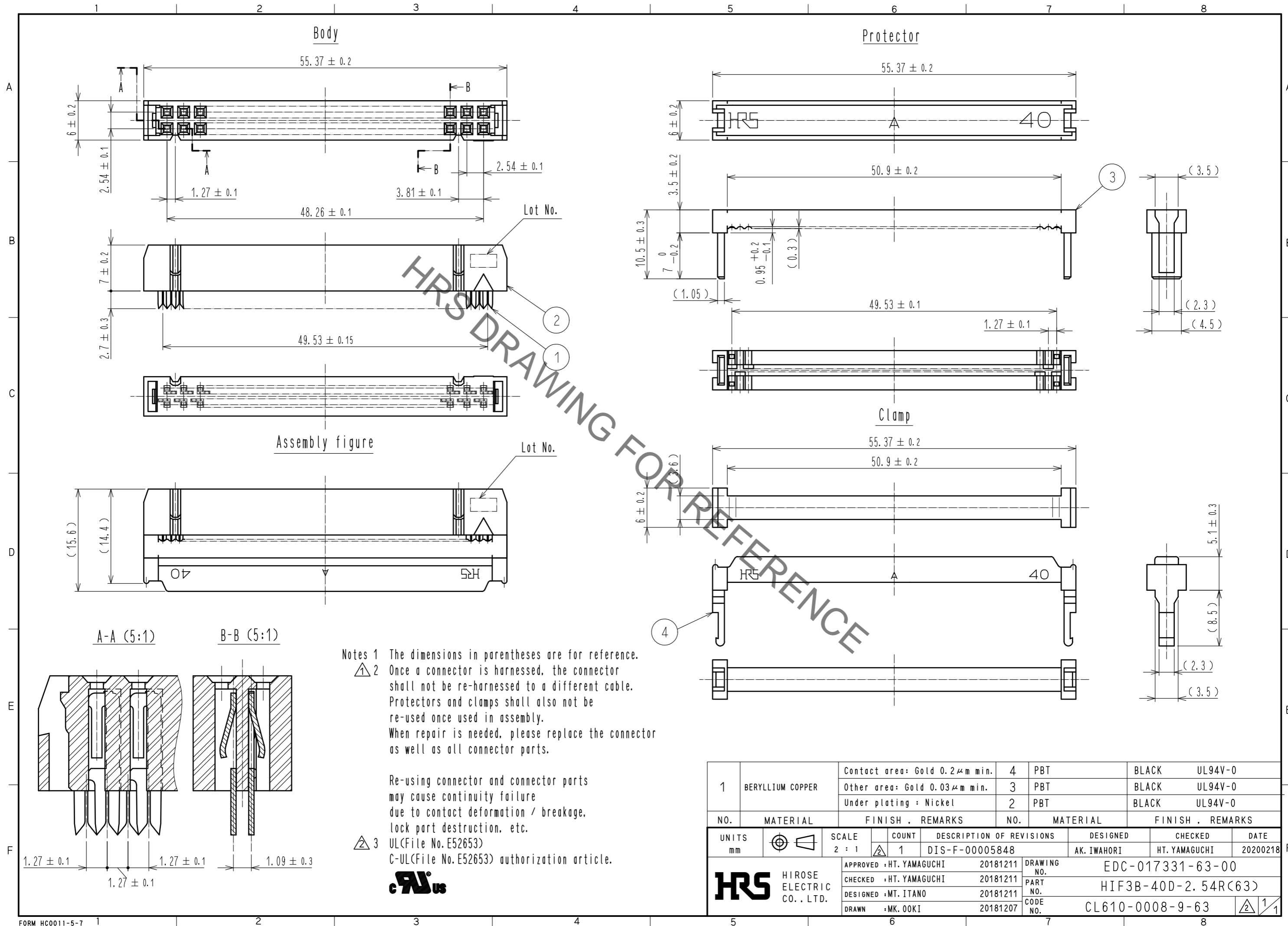


Jan.1.2022 Copyright 2022 HIROSE ELECTRIC CO., LTD. All Rights Reserved.  
 In case of consideration for using Automotive equipment / device which demand high reliability, kindly contact our sales window correspondents.



Notes 1 The dimensions in parentheses are for reference.  
 2 Once a connector is harnessed, the connector shall not be re-harnessed to a different cable. Protectors and clamps shall also not be re-used once used in assembly. When repair is needed, please replace the connector as well as all connector parts.  
 3 Re-using connector and connector parts may cause continuity failure due to contact deformation / breakage, lock part destruction, etc.  
 UL(File No. E52653)  
 C-UL(File No. E52653) authorization article.



1	BERYLLIUM COPPER	Contact area: Gold 0.2μm min.	4	PBT	BLACK	UL94V-0		
		Other area: Gold 0.03μm min.	3	PBT	BLACK	UL94V-0		
		Under plating: Nickel	2	PBT	BLACK	UL94V-0		
NO.	MATERIAL	FINISH	REMARKS	NO.	MATERIAL	FINISH	REMARKS	
UNITS		SCALE	COUNT	DESCRIPTION OF REVISIONS		DESIGNED	CHECKED	DATE
mm		2 : 1	1	DIS-F-00005848		AK. IWAHORI	HT. YAMAGUCHI	20200218
<b>HRS</b> HIROSE ELECTRIC CO., LTD.		APPROVED	HT. YAMAGUCHI	20181211	DRAWING NO.		EDC-017331-63-00	
		CHECKED	HT. YAMAGUCHI	20181211	PART NO.		HIF3B-40D-2.54R(63)	
		DESIGNED	MT. ITANO	20181211	CODE NO.		CL610-0008-9-63	
		DRAWN	MK. OOKI	20181207				