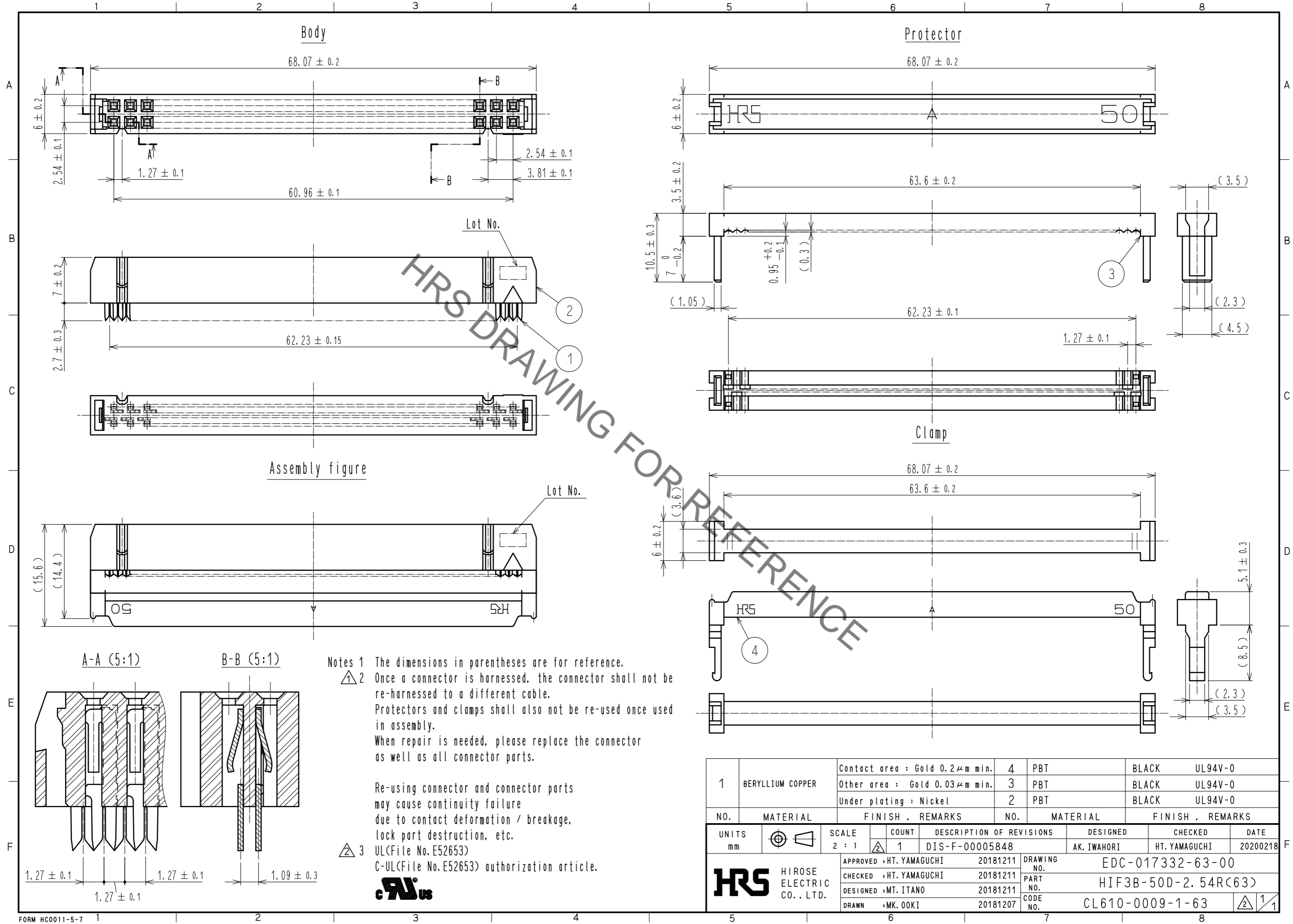


Jan.1.2022 Copyright 2022 HIROSE ELECTRIC CO., LTD. All Rights Reserved.
In case of consideration for using Automotive equipment / device which demand high reliability, kindly contact our sales window correspondents.



1	BERYLLIUM COPPER	Contact area : Gold 0.2 μm min.	4	PBT	BLACK	UL94V-0	
		Other area : Gold 0.03 μm min.	3	PBT	BLACK	UL94V-0	
		Under plating : Nickel	2	PBT	BLACK	UL94V-0	
NO.	MATERIAL	FINISH	REMARKS	NO.	MATERIAL	FINISH	REMARKS
UNITS	mm	SCALE	2 : 1	COUNT	1	DESCRIPTION OF REVISIONS	DIS-F-00005848
				DESIGNED	AK. IWAHORI	CHECKED	HT. YAMAGUCHI
				DATE	20200218		
APPROVED : HT. YAMAGUCHI				20181211	DRAWING NO.		EDC-017332-63-00
CHECKED : HT. YAMAGUCHI				20181211	PART NO.		HIF3B-50D-2.54R(63)
DESIGNED : MT. ITANO				20181211	CODE NO.		CL610-0009-1-63
DRAWN : MK. OKI				20181207			1/1