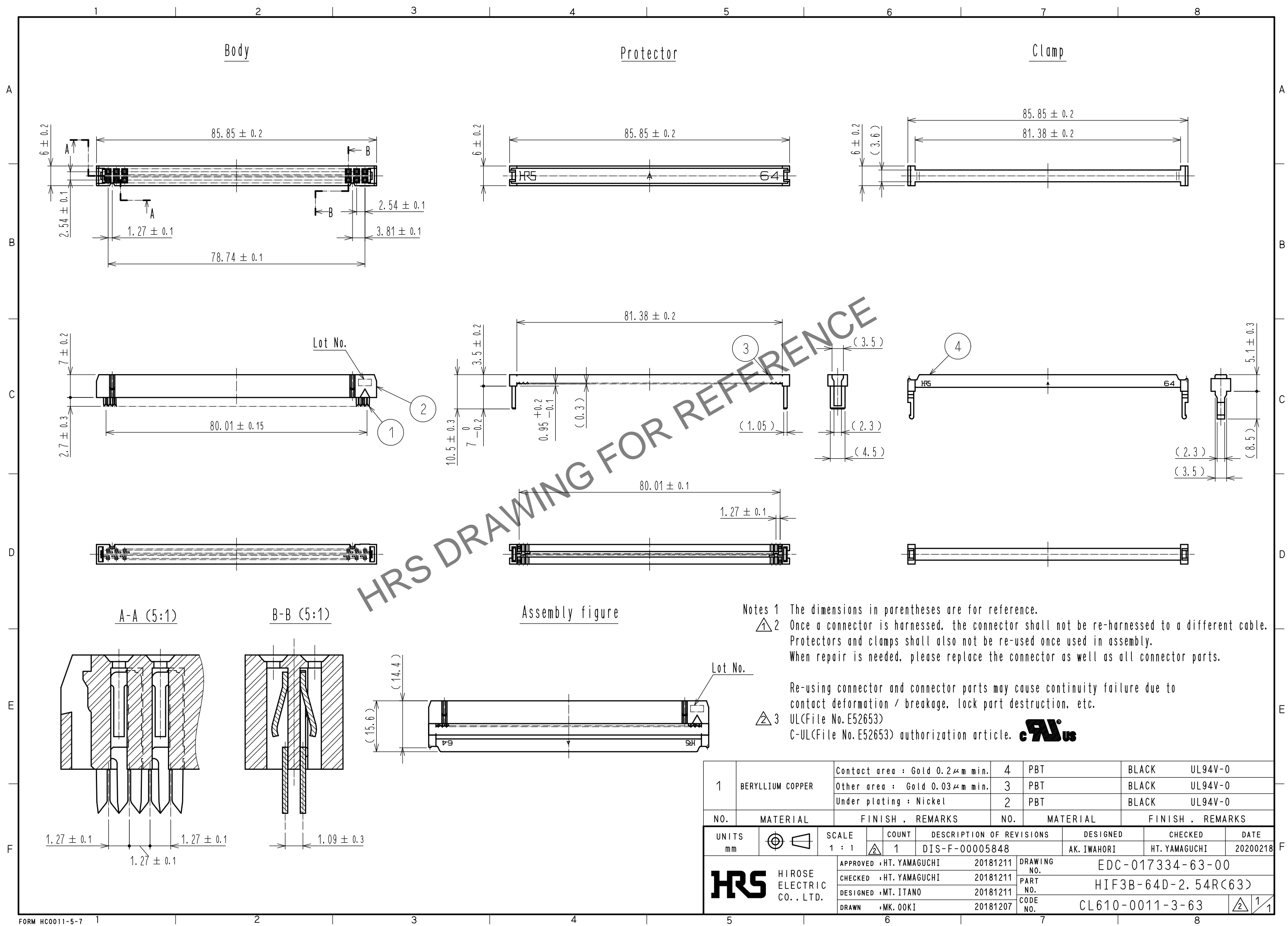


May.1.2024 Copyright 2024 HIROSE ELECTRIC CO., LTD. All Rights Reserved.  
In case of consideration for using Automotive equipment / device which demand high reliability, kindly contact our sales window correspondents.



1	BERYLLIUM COPPER	Contact area : Gold 0.2 μm min.	4	PBT	BLACK	UL94V-0			
		Other area : Gold 0.03 μm min.	3	PBT	BLACK	UL94V-0			
		Under plating : Nickel	2	PBT	BLACK	UL94V-0			
NO.	MATERIAL	FINISH . REMARKS	NO.	MATERIAL	FINISH . REMARKS				
UNITS	mm	SCALE	COUNT	DESCRIPTION OF REVISIONS			DESIGNED	CHECKED	DATE
		1 : 1	1	DIS-F-00005848			AK. IWAHORI	HT. YAMAGUCHI	20200218
<b>HRS</b> HIROSE ELECTRIC CO., LTD.		APPROVED : HT. YAMAGUCHI	20181211	DRAWING NO.			EDC-017334-63-00		
		CHECKED : HT. YAMAGUCHI	20181211	PART NO.			HIF3B-64D-2.54R(63)		
		DESIGNED : MT. ITANO	20181211	CODE NO.			CL610-0011-3-63		
		DRAWN : MK. OKI	20181207				1/1		