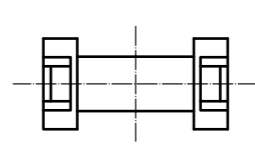
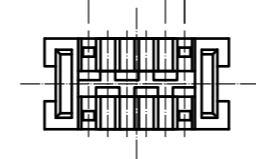
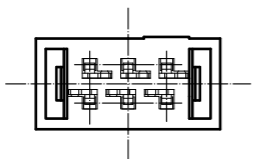
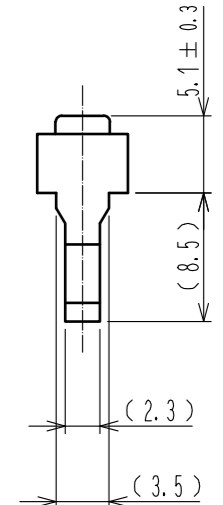
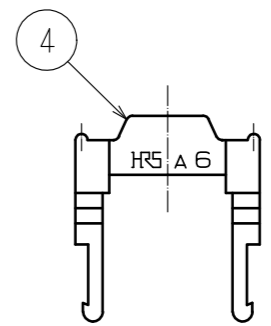
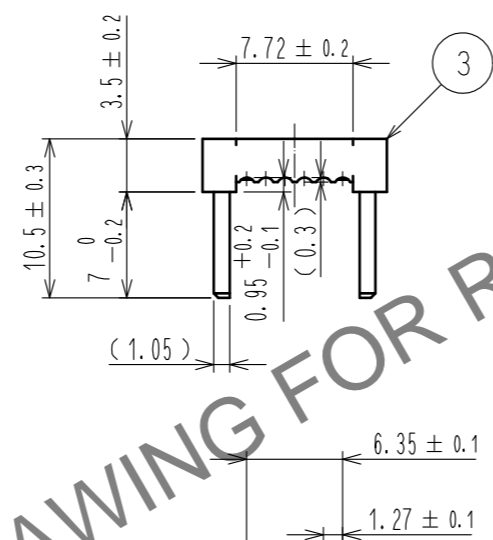
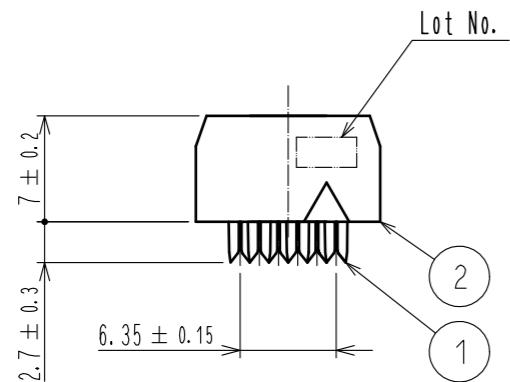
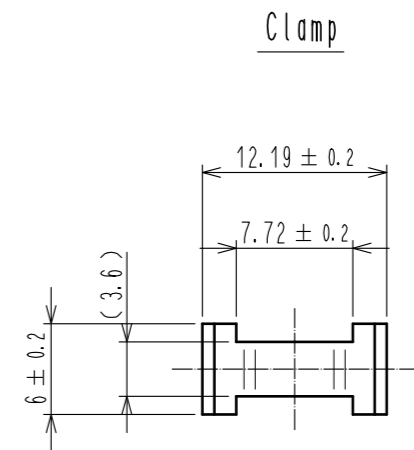
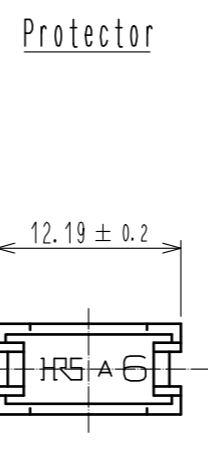
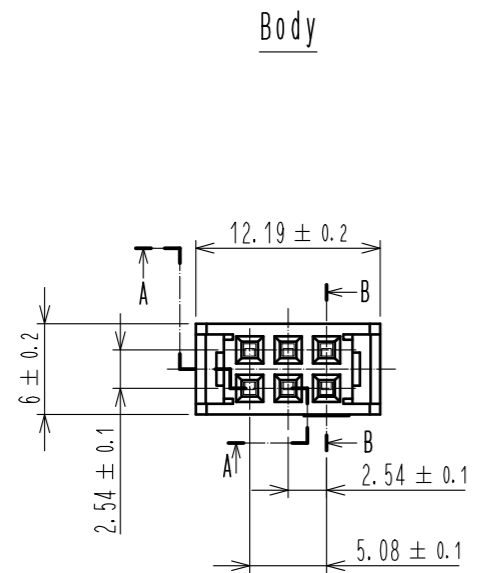


May.1.2024 Copyright 2024 HIROSE ELECTRIC CO., LTD. All Rights Reserved.
 In case of consideration for using Automotive equipment / device which demand high reliability, kindly contact our sales window correspondents.

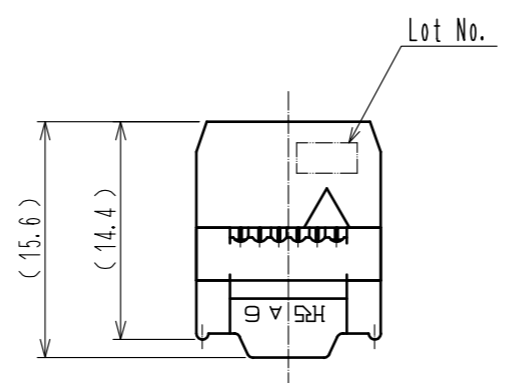
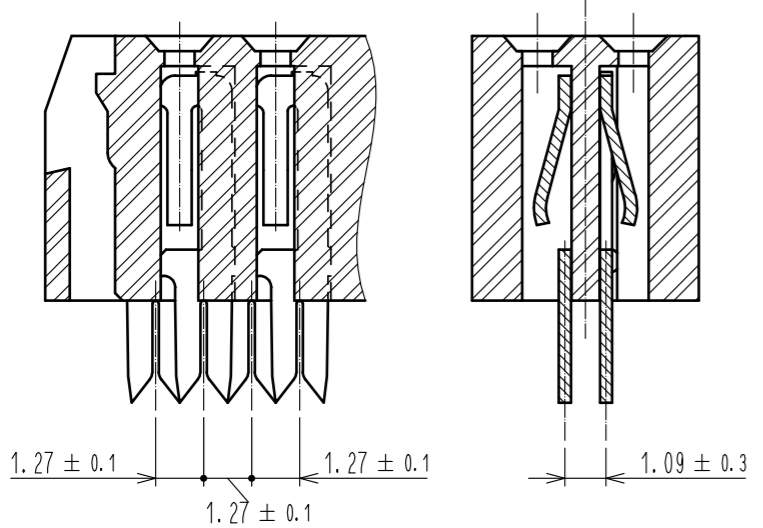


HRS DRAWING FOR REFERENCE

A-A (5:1)

B-B (5:1)

Assembly figure



Notes 1 The dimensions in parentheses are for reference.
 2 Once a connector is harnessed, the connector shall not be re-harnessed to a different cable. Protectors and clamps shall also not be re-used once used in assembly. When repair is needed, please replace the connector as well as all connector parts.

Re-using connector and connector parts may cause continuity failure due to contact deformation / breakage, lock part destruction, etc.

3 UL(File No. E52653)
 C-UL(File No. E52653) authorization article. **cRLus**

1	BERYLLIUM COPPER	Contact area : Gold 0.2 μm min.	4	PBT	BLACK	UL94V-0
		Other area : Gold 0.03 μm min.	3	PBT	BLACK	UL94V-0
		Under plating : Nickel	2	PBT	BLACK	UL94V-0
NO.	MATERIAL	FINISH . REMARKS	NO.	MATERIAL	FINISH . REMARKS	
UNITS		SCALE	COUNT	DESCRIPTION OF REVISIONS		DESIGNED
mm		2 : 1	1	DIS-F-00005848		AK. IWAHORI
HRS HIROSE ELECTRIC CO., LTD.		APPROVED : HT. YAMAGUCHI	20181211	DRAWING NO.		EDC-018251-63-00
		CHECKED : HT. YAMAGUCHI	20181211	PART NO.		HIF3B-6D-2. 54R(63)
		DESIGNED : MT. ITANO	20181211	CODE NO.		CL610-0012-6-63
		DRAWN : MK. OOKI	20181207			1/1