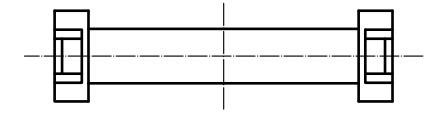
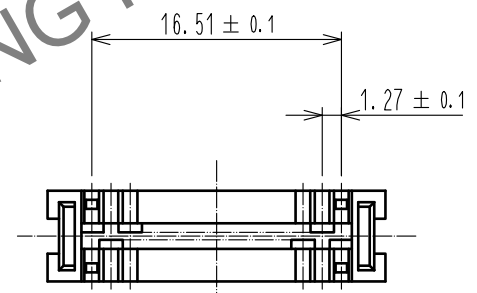
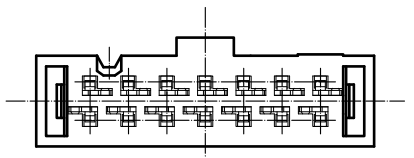
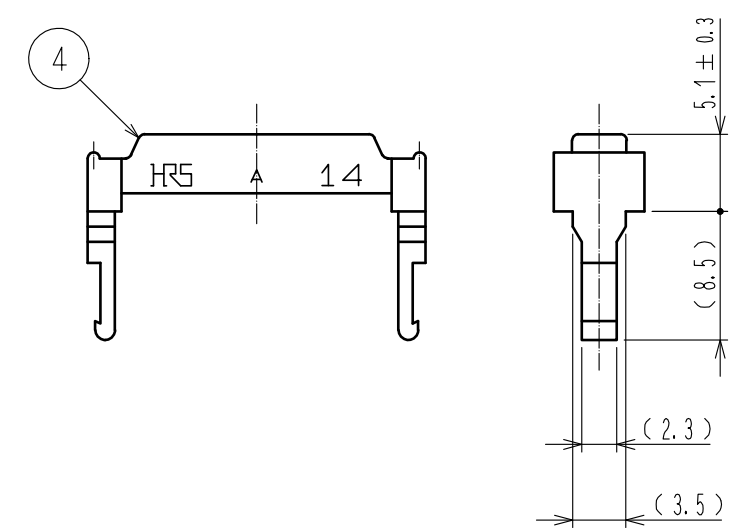
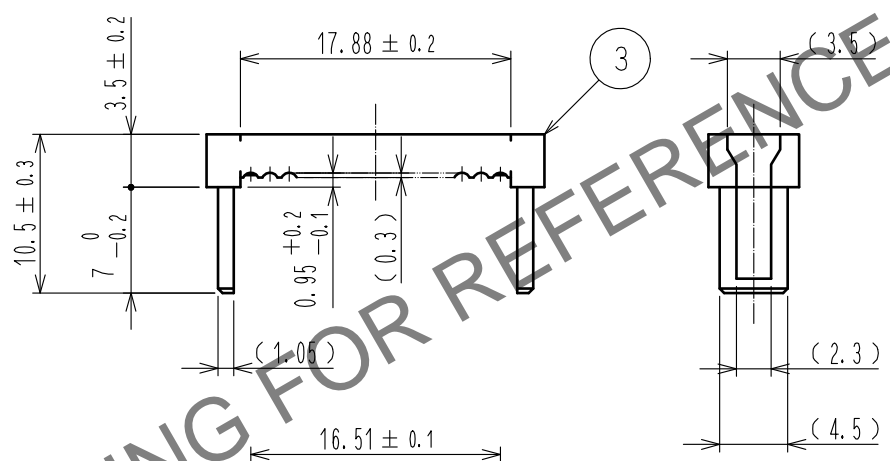
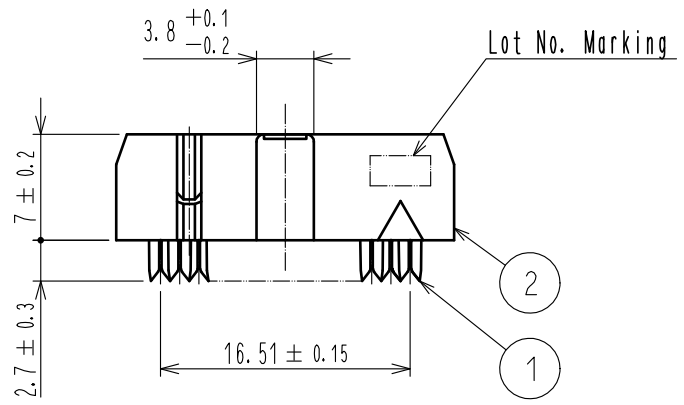
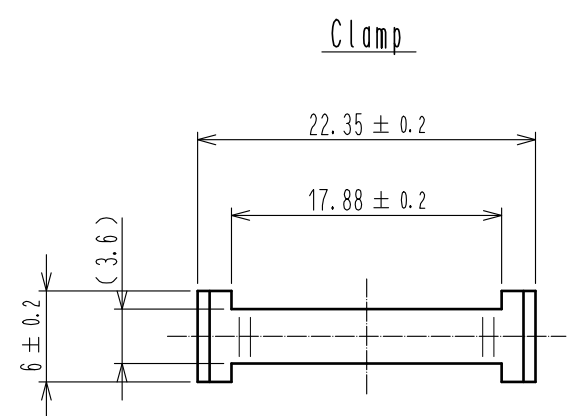
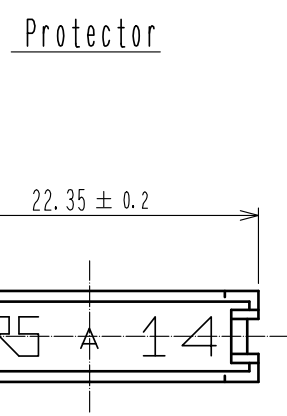
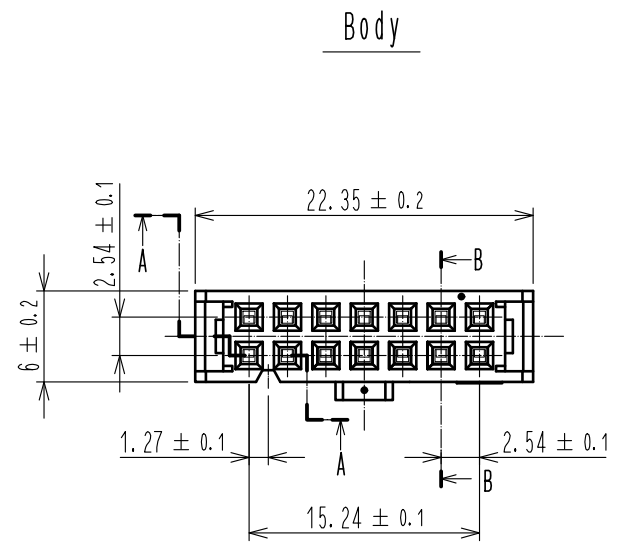


Mar.1.2024 Copyright 2024 HIROSE ELECTRIC CO., LTD. All Rights Reserved.  
In case of consideration for using Automotive equipment / device which demand high reliability, kindly contact our sales window correspondents.

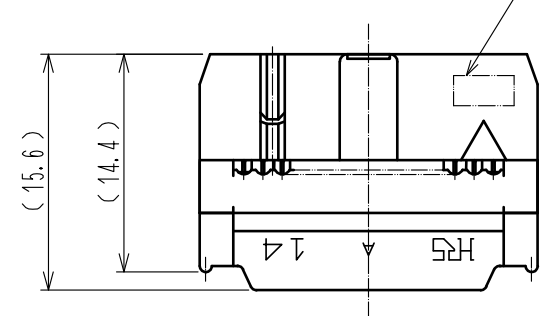
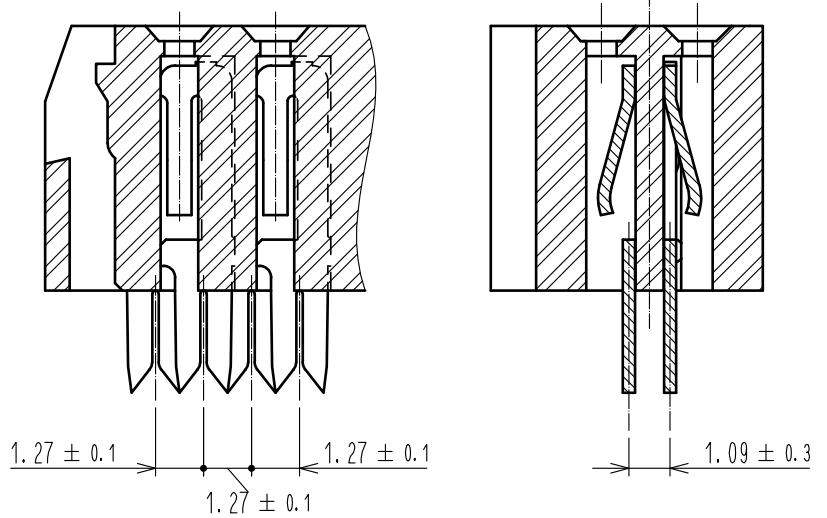


HRS DRAWING FOR REFERENCE

A-A (5:1)

B-B (5:1)

Assembly figure



Notes 1 The dimensions in parentheses are for reference.  
 2 Once a connector is harnessed, the connector shall not be re-harnessed to a different cable. Protectors and clamps shall also not be re-used once used in assembly. When repair is needed, please replace the connector as well as all connector parts.

3 Re-using connector and connector parts may cause continuity failure due to contact deformation / breakage, lock part destruction, etc.  
 ULC( File No. E52653)  
 C-UL( File No. E52653) authorization article.



1	BERYLLIUM COPPER	Contact area : Gold 0.2μm min.	4	PBT	BLACK	UL94V-0
		Other area : Gold 0.03μm min.	3	PBT	BLACK	UL94V-0
		Under plating : Nickel	2	PBT	BLACK	UL94V-0
NO.	MATERIAL	FINISH . REMARKS	NO.	MATERIAL	FINISH . REMARKS	
UNITS	mm	SCALE	COUNT	DESCRIPTION OF REVISIONS		DESIGNED
		2 : 1	1	DIS-F-00005872		AK. IWAHORI
APPROVED : HT. YAMAGUCHI		20181211	DRAWING NO.		EDC-017336-63-00	
CHECKED : HT. YAMAGUCHI		20181211	PART NO.		HIF3BA-14D-2. 54R(63)	
DESIGNED : MT. ITANO		20181211	CODE NO.		CL610-0022-0-63	
DRAWN : MK. OOKI		20181207				