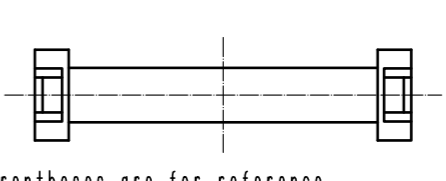
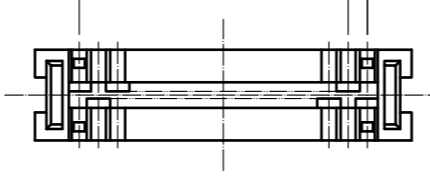
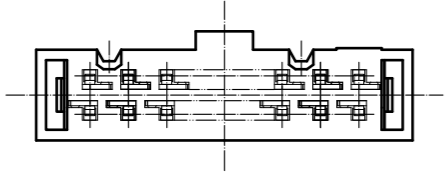
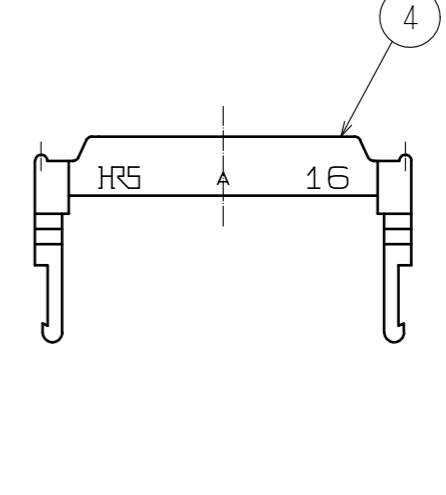
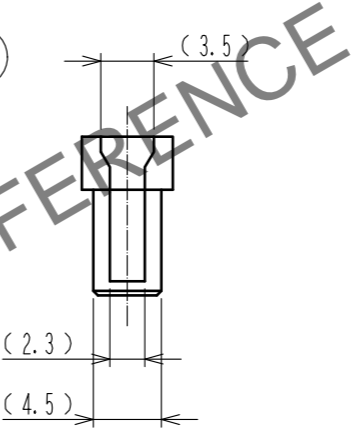
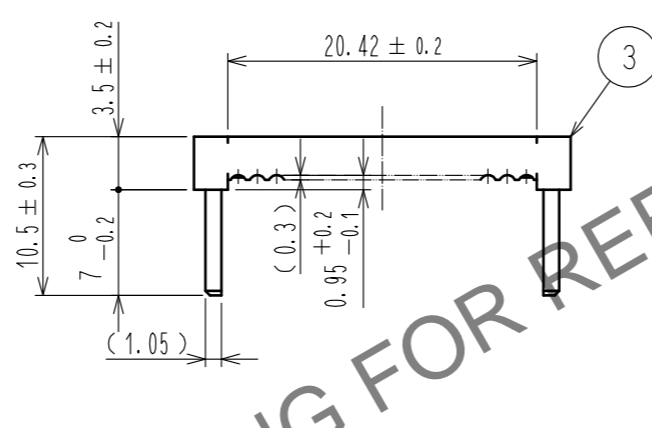
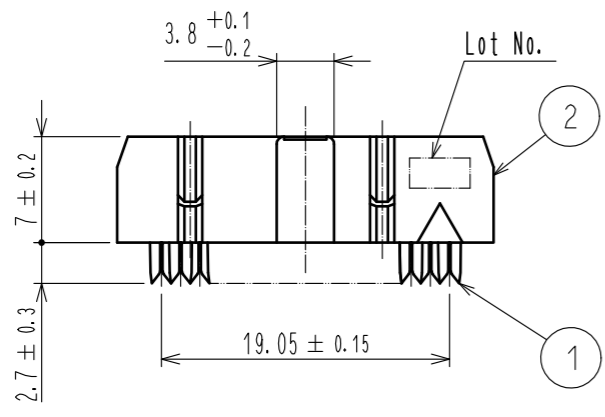
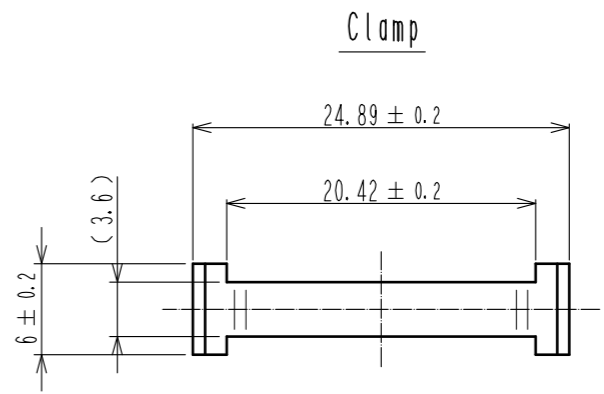
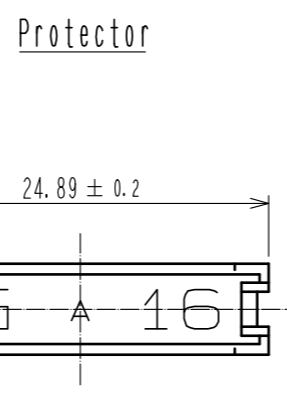
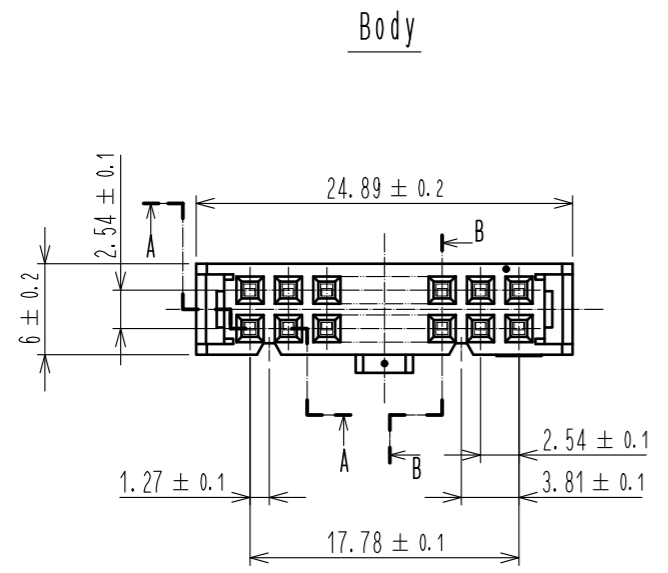


May.1.2024 Copyright 2024 HIROSE ELECTRIC CO., LTD. All Rights Reserved.  
In case of consideration for using Automotive equipment / device which demand high reliability, kindly contact our sales window correspondents.



HRS DRAWING FOR REFERENCE

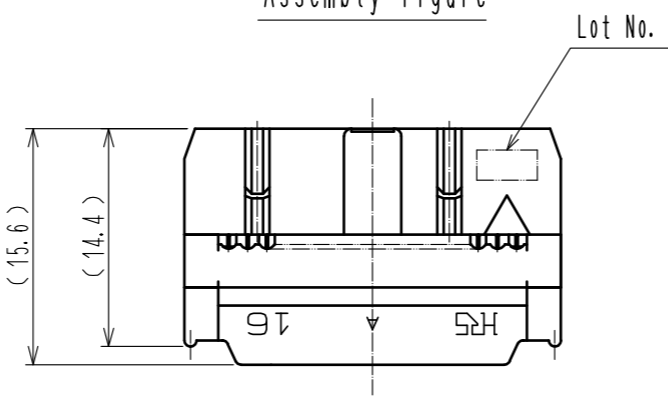
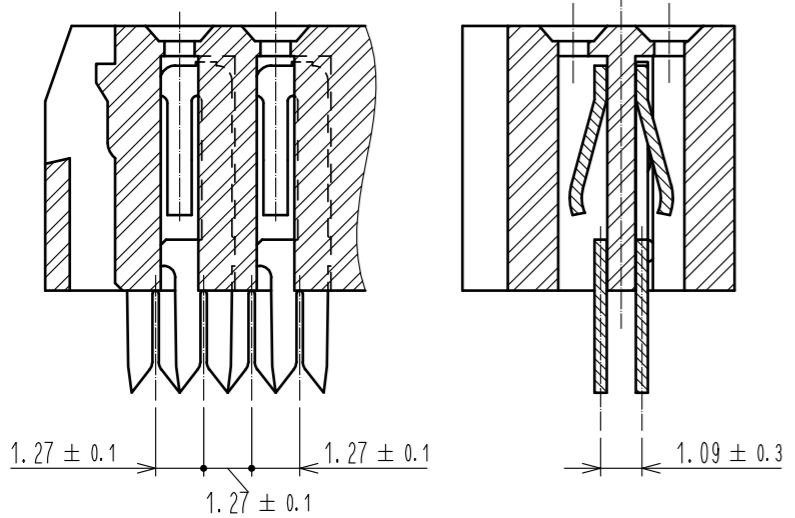
A-A (5:1)

B-B (5:1)

Assembly figure

Notes 1 The dimensions in parentheses are for reference.  
 2 Once a connector is harnessed, the connector shall not be re-harnessed to a different cable. Protectors and clamps shall also not be re-used once used in assembly. When repair is needed, please replace the connector as well as all connector parts.

Re-using connector and connector parts may cause continuity failure due to contact deformation / breakage, lock part destruction, etc.  
 UL(File No. E52653)  
 C-UL(File No. E52653) authorization article. **Hi**



1	BERYLLIUM COPPER	Contact area : Gold 0.2 μm min.	4	PBT	BLACK	UL94V-0
		Other area : Gold 0.03 μm min.	3	PBT	BLACK	UL94V-0
		Under plating : Nickel	2	PBT	BLACK	UL94V-0
NO.	MATERIAL	FINISH . REMARKS	NO.	MATERIAL	FINISH . REMARKS	
UNITS	mm	SCALE	COUNT	DESCRIPTION OF REVISIONS		DESIGNED
		2 : 1	1	DIS-F-00005872		AK. IWAHORI
				APPROVED : HT. YAMAGUCHI	20181211	CHECKED
				CHECKED : HT. YAMAGUCHI	20181211	HT. YAMAGUCHI
				DESIGNED : MT. ITANO	20181211	DATE
				DRAWN : MK. OOKI	20181207	20200221
<b>HRS</b> HIROSE ELECTRIC CO., LTD.				DRAWING NO. EDC-017337-63-00		
				PART NO. HIF3BA-16D-2.54R(63)		
				CODE NO. CL610-0023-2-63		
						1/1