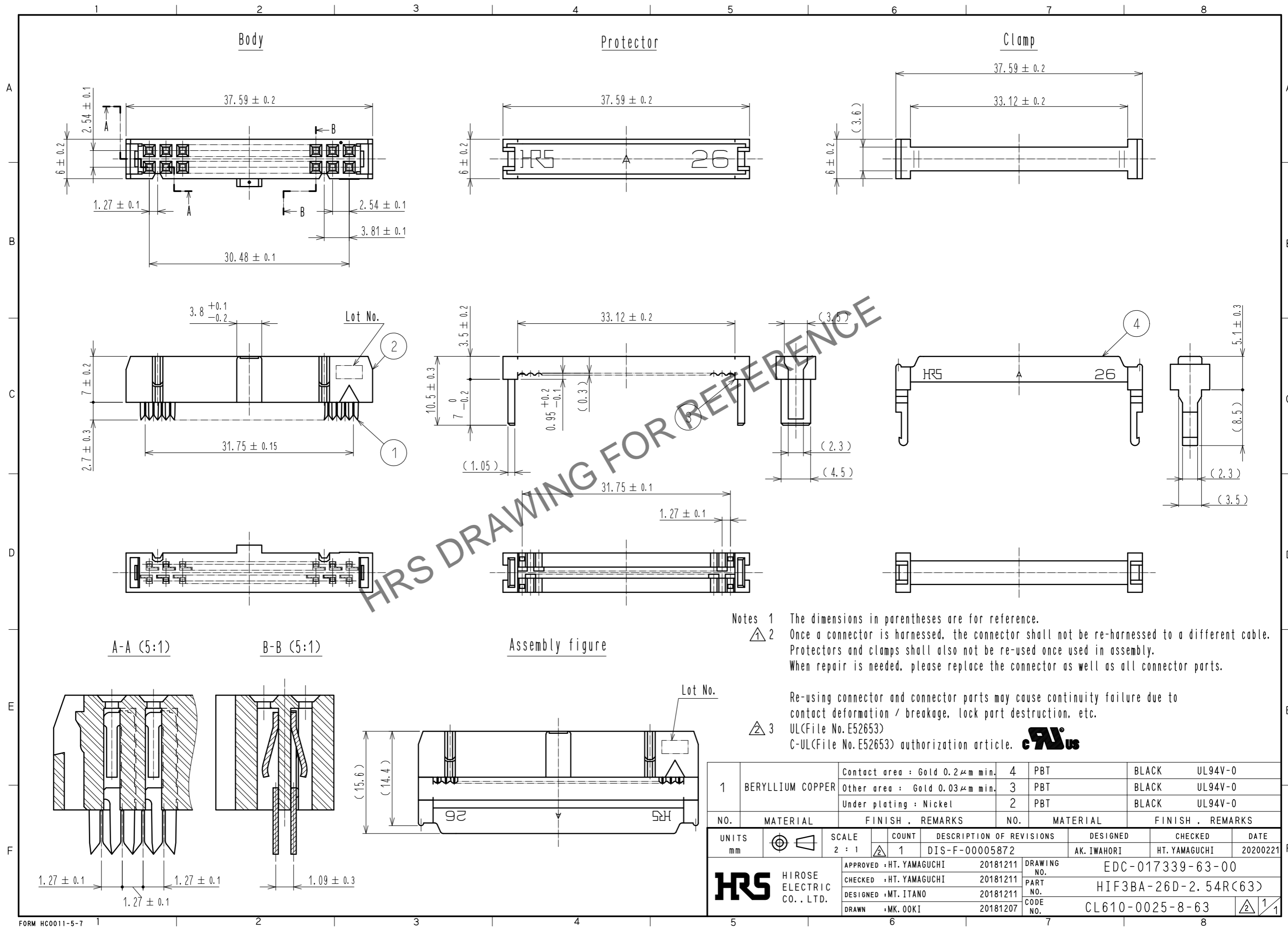


May.1.2024 Copyright 2024 HIROSE ELECTRIC CO., LTD. All Rights Reserved.
In case of consideration for using Automotive equipment / device which demand high reliability, kindly contact our sales window correspondents.



Notes 1 The dimensions in parentheses are for reference.
 2 Once a connector is harnessed, the connector shall not be re-harnessed to a different cable. Protectors and clamps shall also not be re-used once used in assembly. When repair is needed, please replace the connector as well as all connector parts.

3 Re-using connector and connector parts may cause continuity failure due to contact deformation / breakage, lock part destruction, etc.
 UL(File No. E52653)
 C-UL(File No. E52653) authorization article. **Hi**

1	BERYLLIUM COPPER	Contact area : Gold 0.2 μm min.	4	PBT	BLACK	UL94V-0			
		Other area : Gold 0.03 μm min.	3	PBT	BLACK	UL94V-0			
		Under plating : Nickel	2	PBT	BLACK	UL94V-0			
NO.	MATERIAL	FINISH	REMARKS	NO.	MATERIAL	FINISH	REMARKS		
UNITS	mm	SCALE	2 : 1	COUNT	1	DESCRIPTION OF REVISIONS	DESIGNED	CHECKED	DATE
APPROVED : HT. YAMAGUCHI 20181211				DRAWING NO.		EDC-017339-63-00			
CHECKED : HT. YAMAGUCHI 20181211				PART NO.		HIF3BA-26D-2.54R(63)			
DESIGNED : MT. ITANO 20181211				CODE NO.		CL610-0025-8-63			
DRAWN : MK. OOKI 20181207									