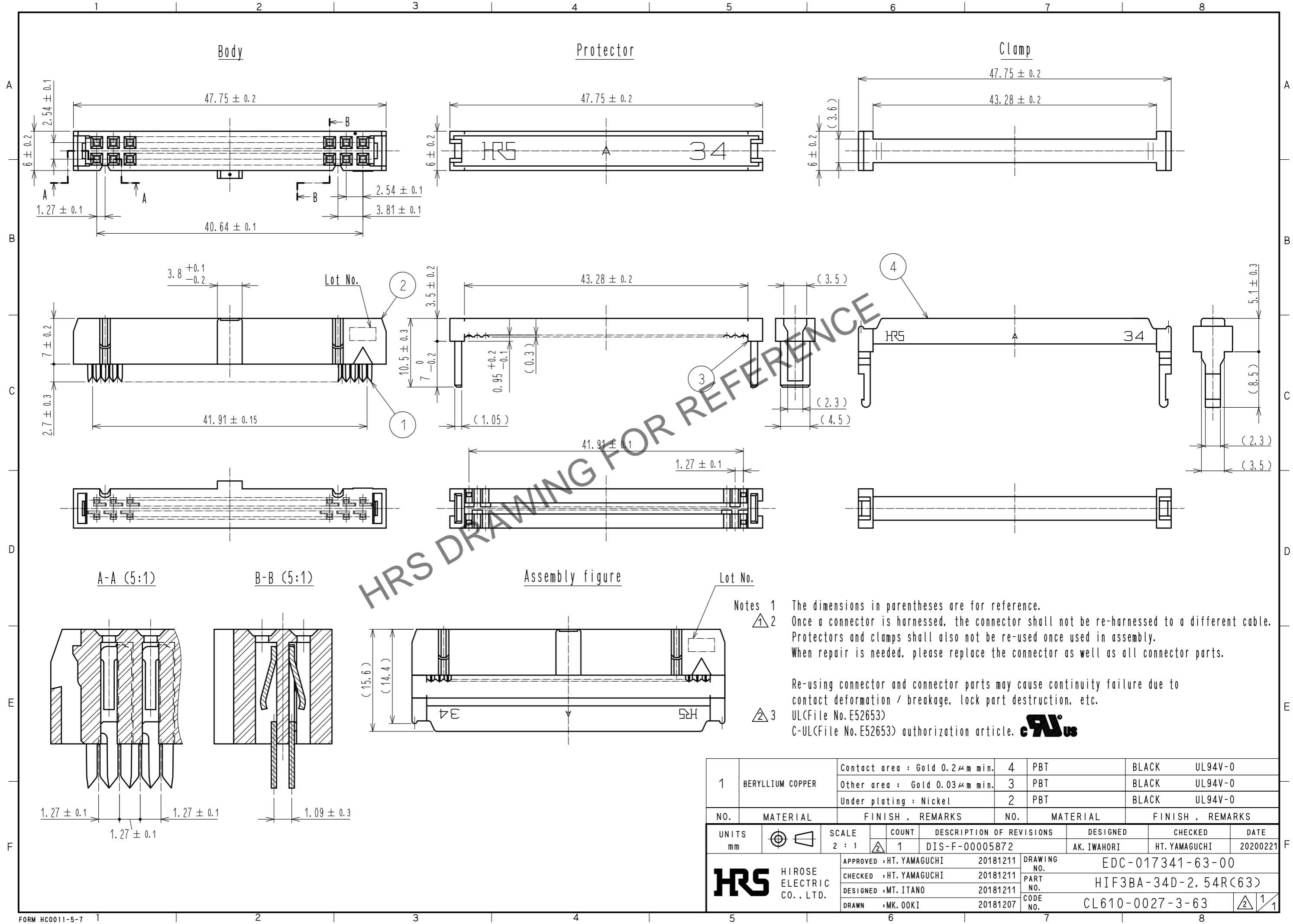


May.1.2024 Copyright 2024 HIROSE ELECTRIC CO., LTD. All Rights Reserved.  
In case of consideration for using Automotive equipment / device which demand high reliability, kindly contact our sales window correspondents.



Notes 1 The dimensions in parentheses are for reference.  
 2 Once a connector is harnessed, the connector shall not be re-harnessed to a different cable. Protectors and clamps shall also not be re-used once used in assembly. When repair is needed, please replace the connector as well as all connector parts.

Re-using connector and connector parts may cause continuity failure due to contact deformation / breakage, lock part destruction, etc.

UL(File No. E52653)  
 C-UL(File No. E52653) authorization article. **cR/us**

1	BERYLLIUM COPPER	Contact area : Gold 0.2 μm min.	4	PBT	BLACK	UL94V-0
		Other area : Gold 0.03 μm min.	3	PBT	BLACK	UL94V-0
		Under plating : Nickel	2	PBT	BLACK	UL94V-0
NO.	MATERIAL	FINISH . REMARKS	NO.	MATERIAL	FINISH . REMARKS	
UNITS	mm	SCALE	COUNT	DESCRIPTION OF REVISIONS	DESIGNED	CHECKED
		2 : 1	1	DIS-F-00005872	AK. IWAHORI	HT. YAMAGUCHI
					DATE	20200221
APPROVED : HT. YAMAGUCHI		20181211		DRAWING NO. EDC-017341-63-00		
CHECKED : HT. YAMAGUCHI		20181211		PART NO. HIF3BA-34D-2. 54R(63)		
DESIGNED : MT. ITANO		20181211		CODE NO. CL610-0027-3-63		
DRAWN : MK. OOKI		20181207		1/1		