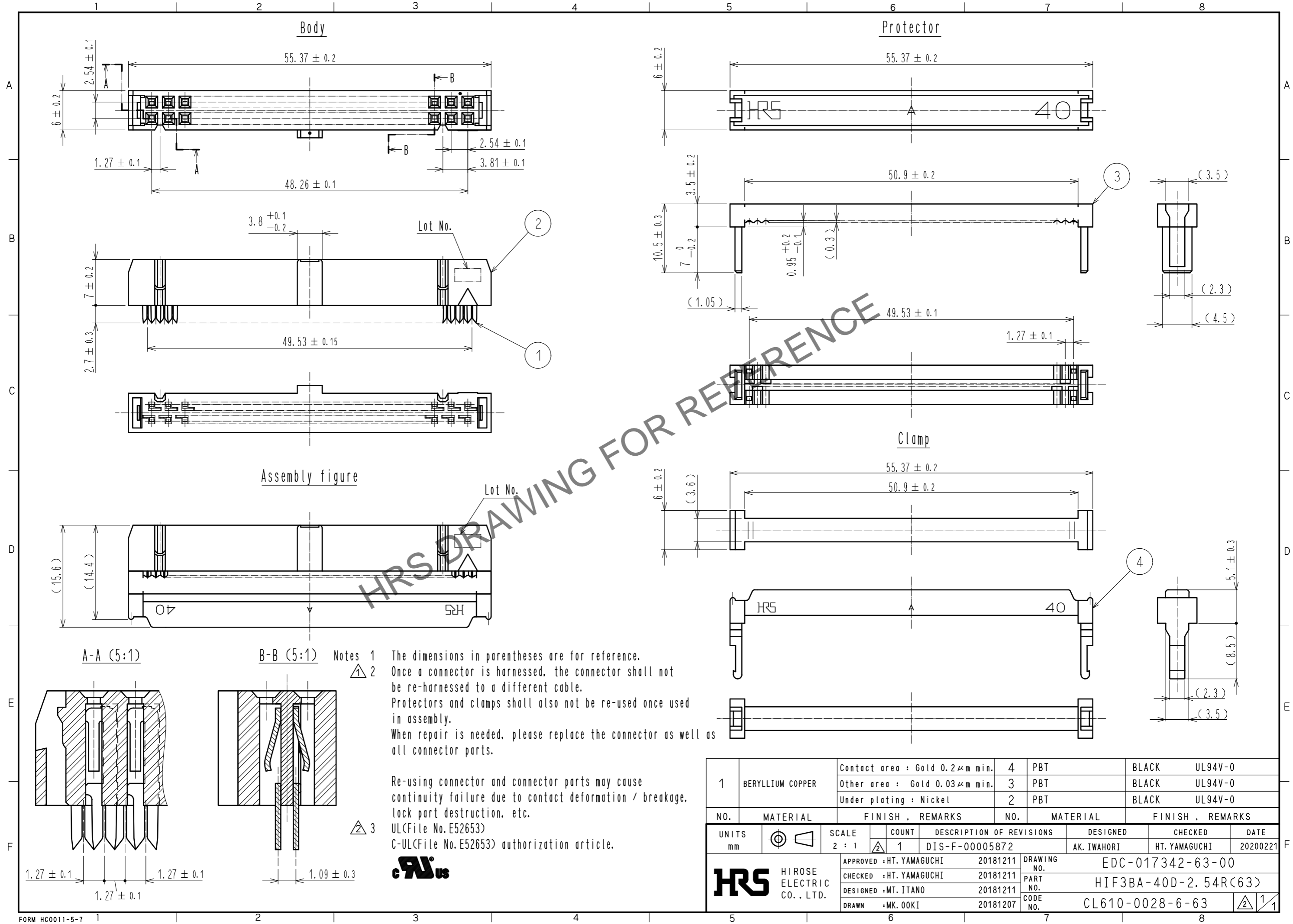


May.1.2024 Copyright 2024 HIROSE ELECTRIC CO., LTD. All Rights Reserved.  
In case of consideration for using Automotive equipment / device which demand high reliability, kindly contact our sales window correspondents.



**Notes**

1 The dimensions in parentheses are for reference.

2 Once a connector is harnessed, the connector shall not be re-harnessed to a different cable. Protectors and clamps shall also not be re-used once used in assembly. When repair is needed, please replace the connector as well as all connector parts.

3 Re-using connector and connector parts may cause continuity failure due to contact deformation / breakage, lock part destruction, etc.

UL(File No. E52653)  
C-UL(File No. E52653) authorization article.



1	BERYLLIUM COPPER	Contact area : Gold 0.2 μm min.	4	PBT	BLACK	UL94V-0		
		Other area : Gold 0.03 μm min.	3	PBT	BLACK	UL94V-0		
		Under plating : Nickel	2	PBT	BLACK	UL94V-0		
NO.	MATERIAL	FINISH .	REMARKS	NO.	MATERIAL	FINISH .	REMARKS	
UNITS		SCALE	COUNT	DESCRIPTION OF REVISIONS		DESIGNED	CHECKED	DATE
mm		2 : 1	1	DIS-F-00005872		AK. IWAHORI	HT. YAMAGUCHI	20200221
<b>HRS</b> HIROSE ELECTRIC CO., LTD.		APPROVED : HT. YAMAGUCHI	20181211	DRAWING NO.		EDC-017342-63-00		
		CHECKED : HT. YAMAGUCHI	20181211	PART NO.		HIF3BA-40D-2. 54R(63)		
		DESIGNED : MT. ITANO	20181211	CODE NO.		CL610-0028-6-63		
		DRAWN : MK. OOKI	20181207					