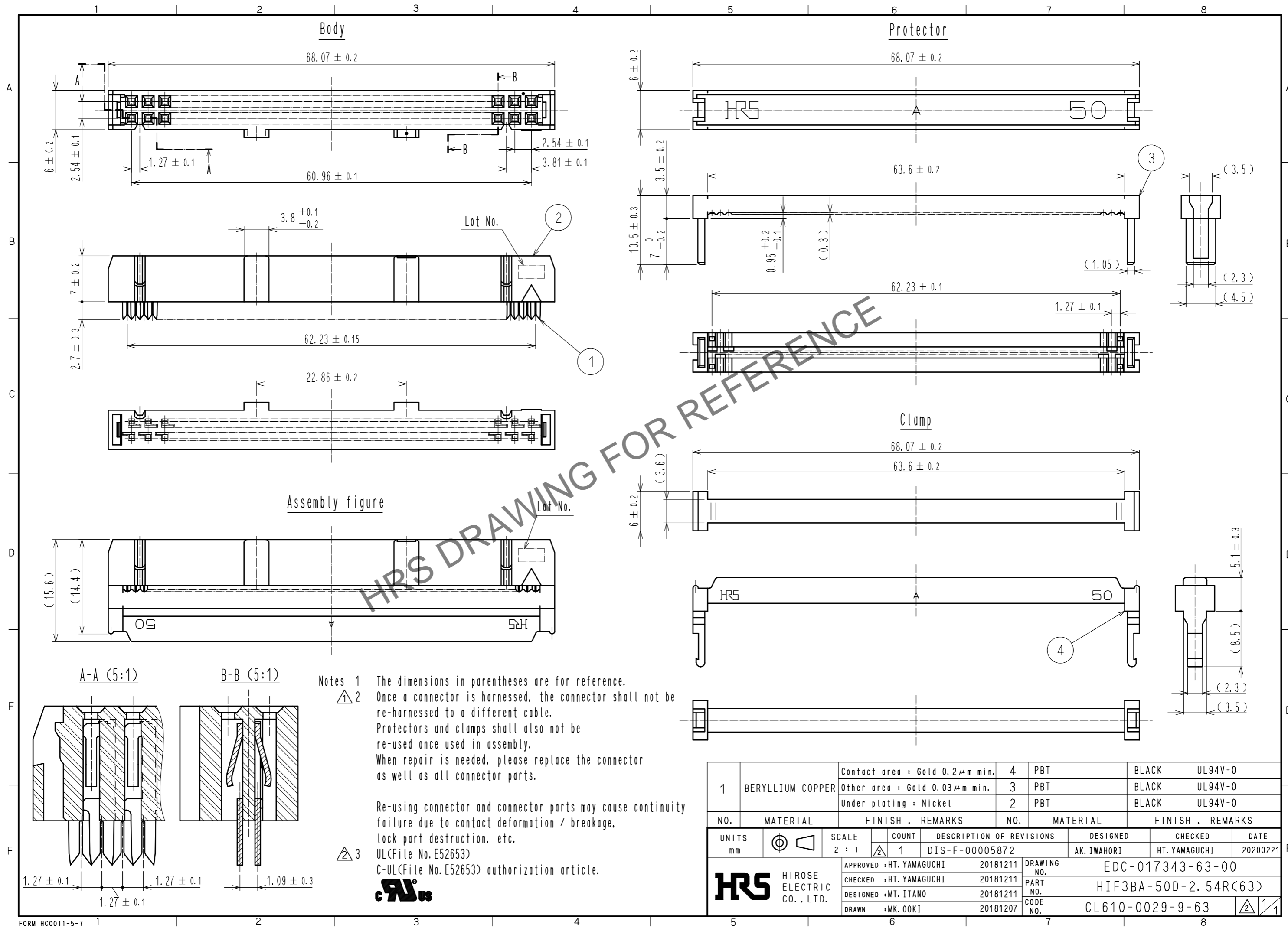


May.1.2024 Copyright 2024 HIROSE ELECTRIC CO., LTD. All Rights Reserved.
In case of consideration for using Automotive equipment / device which demand high reliability, kindly contact our sales window correspondents.



1	BERYLLIUM COPPER	Contact area : Gold 0.2 μm min.	4	PBT	BLACK	UL94V-0	
		Other area : Gold 0.03 μm min.	3	PBT	BLACK	UL94V-0	
		Under plating : Nickel	2	PBT	BLACK	UL94V-0	
NO.	MATERIAL	FINISH	REMARKS	NO.	MATERIAL	FINISH	REMARKS
UNITS	mm	SCALE	2 : 1	COUNT	1	DESCRIPTION OF REVISIONS	DIS-F-00005872
		DESIGNED	AK. IWAHORI	CHECKED	HT. YAMAGUCHI	DATE	20200221
		APPROVED	HT. YAMAGUCHI	20181211	DRAWING NO.	EDC-017343-63-00	
		CHECKED	HT. YAMAGUCHI	20181211	PART NO.	HIF3BA-50D-2.54R(63)	
		DESIGNED	MT. ITANO	20181211	CODE NO.	CL610-0029-9-63	
		DRAWN	MK. OOKI	20181207			