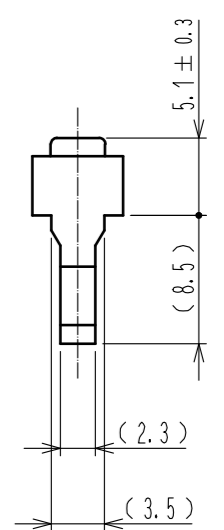
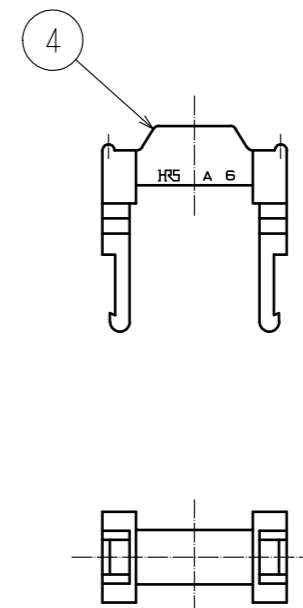
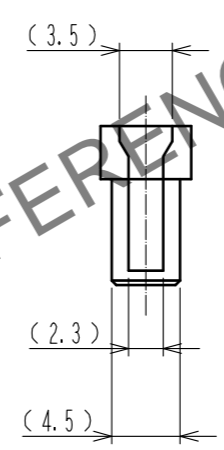
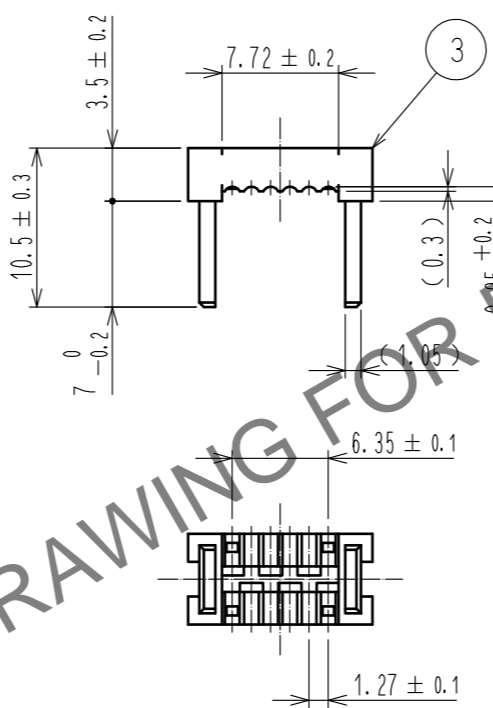
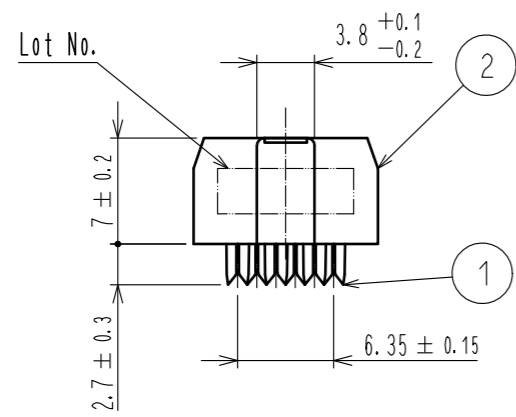
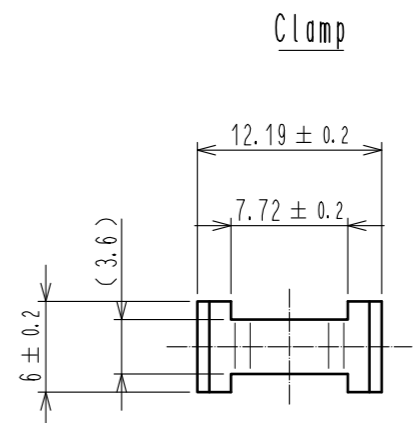
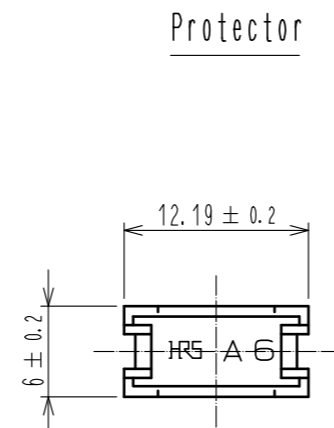
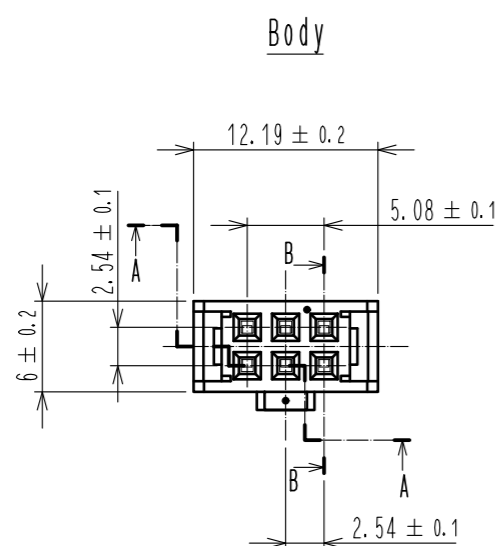
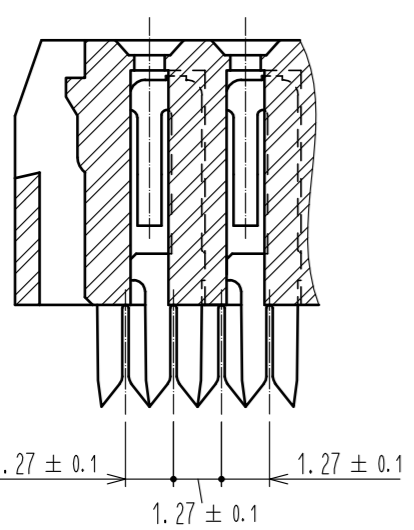


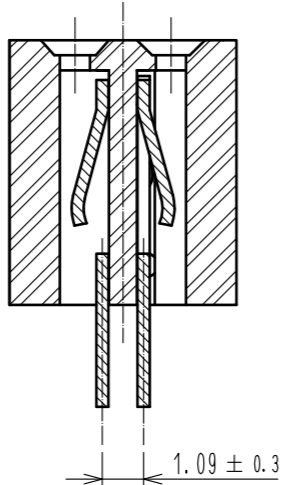
May.1.2024 Copyright 2024 HIROSE ELECTRIC CO., LTD. All Rights Reserved.  
In case of consideration for using Automotive equipment / device which demand high reliability, kindly contact our sales window correspondents.



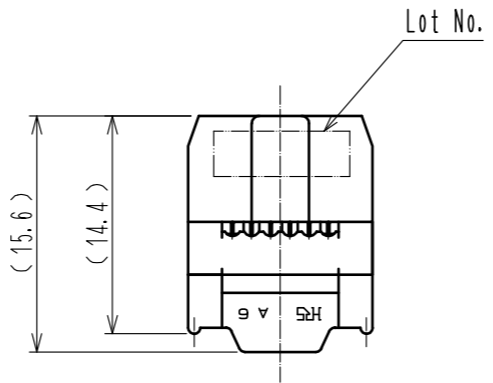
A-A (5:1)



B-B (5:1)



Assembly figure



HRS DRAWING FOR REFERENCE

Notes 1 The dimensions in parentheses are for reference.  
 2 Once a connector is harnessed, the connector shall not be re-harnessed to a different cable. Protectors and clamps shall also not be re-used once used in assembly. When repair is needed, please replace the connector as well as all connector parts.

3 Re-using connector and connector parts may cause continuity failure due to contact deformation / breakage, lock part destruction, etc.  
 UL(File No. E52653)  
 C-UL(File No. E52653) authorization article.



| 1                         | BERYLLIUM<br>COPPER | Contact area : Gold 0.2 $\mu$ m min. | 4          | PBT  | BLACK            | UL94V-0                  |
|---------------------------|---------------------|--------------------------------------|------------|--|------------------|--------------------------|
|                           |                     | Other area : Gold 0.03 $\mu$ m min.  | 3          | PBT  | BLACK            | UL94V-0                  |
|                           |                     | Under plating : Nickel               | 2          | PBT  | BLACK            | UL94V-0                  |
| NO.                       | MATERIAL            | FINISH . REMARKS                     | NO.        | MATERIAL                                   | FINISH . REMARKS |                          |
| UNITS<br>mm               |                     | SCALE<br>2 : 1                       | COUNT<br>1 | DESCRIPTION OF REVISIONS<br>DIS-F-00005872 |                  | DESIGNED<br>AK. IWAHORI  |
|                           |                     | APPROVED : HT. YAMAGUCHI             | 20181211   | DRAWING NO.<br>EDC-018249-63-00            |                  | CHECKED<br>HT. YAMAGUCHI |
| HIROSE ELECTRIC CO., LTD. |                     | CHECKED : HT. YAMAGUCHI              | 20181211   | PART NO.<br>HIF3BA-6D-2.54R(63)            |                  | DATE<br>20200221         |
|                           |                     | DESIGNED : MT. ITANO                 | 20181211   | CODE NO.<br>CL610-0032-3-63                |                  |                          |
|                           |                     | DRAWN : MK. OOKI                     | 20181207   |  |                  |                          |