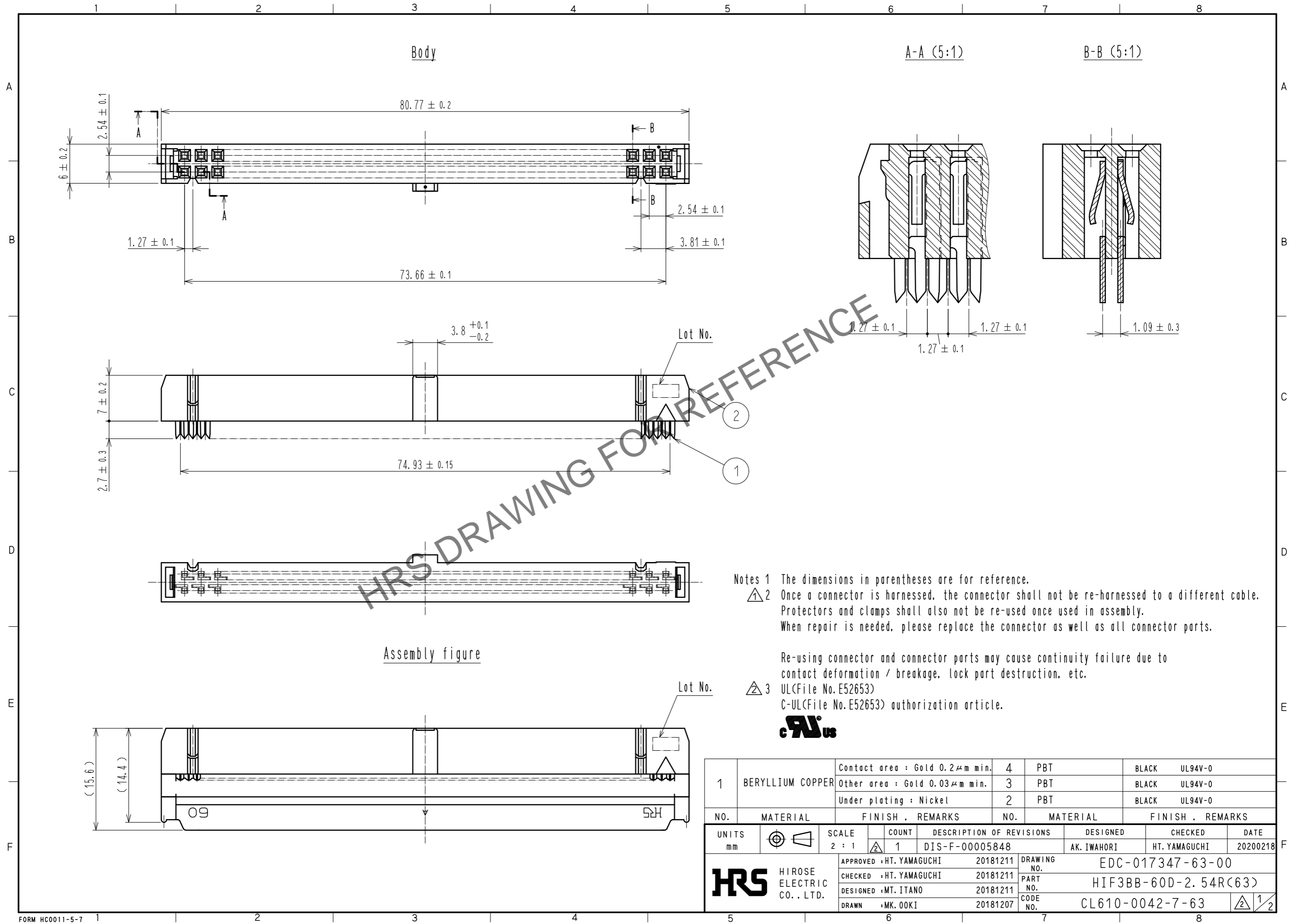


May.1.2024 Copyright 2024 HIROSE ELECTRIC CO., LTD. All Rights Reserved.  
In case of consideration for using Automotive equipment / device which demand high reliability, kindly contact our sales window correspondents.



- Notes 1 The dimensions in parentheses are for reference.  
 2 Once a connector is harnessed, the connector shall not be re-harnessed to a different cable. Protectors and clamps shall also not be re-used once used in assembly. When repair is needed, please replace the connector as well as all connector parts.

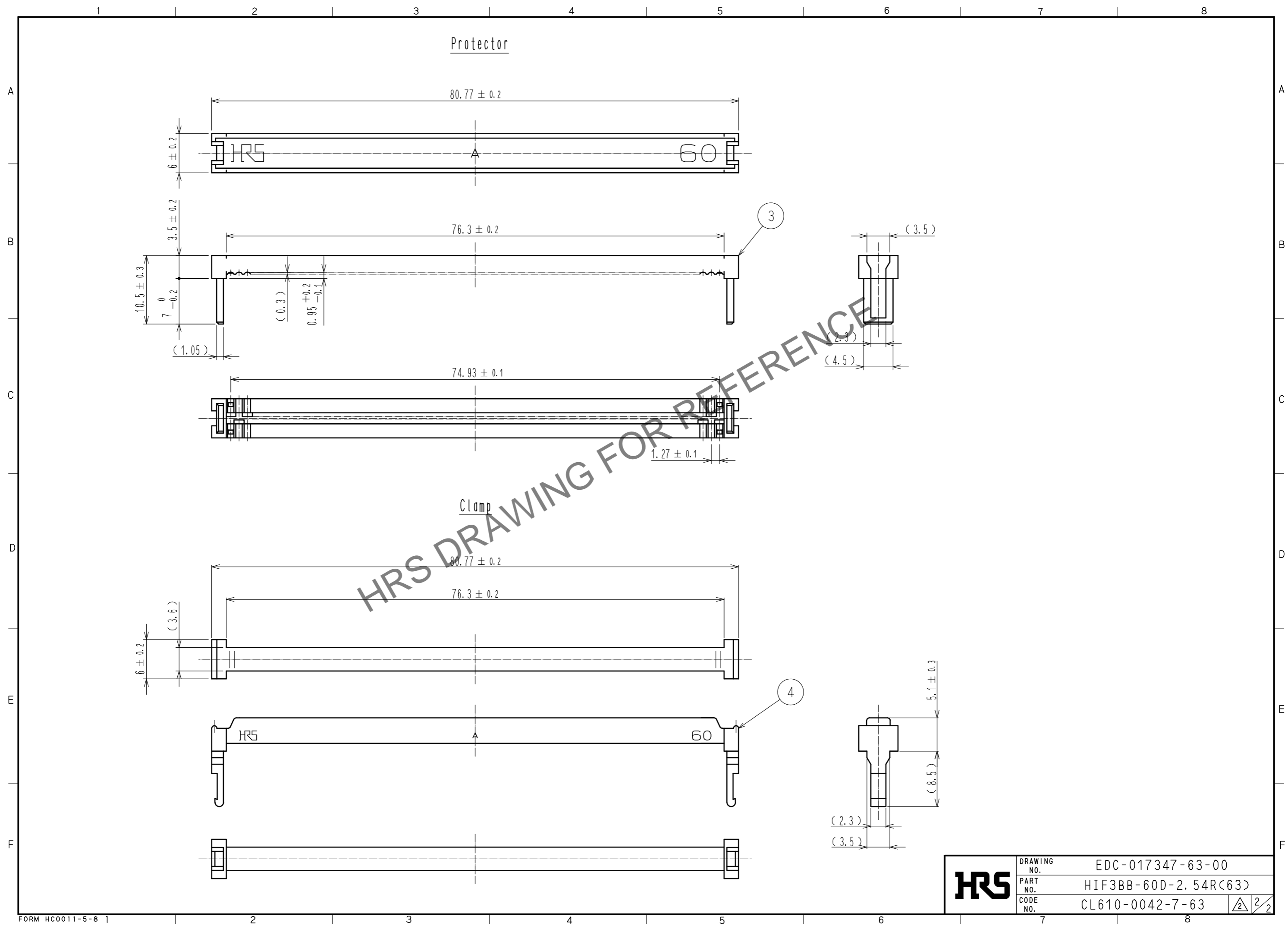
Re-using connector and connector parts may cause continuity failure due to contact deformation / breakage, lock part destruction, etc.

- 3 UL(File No. E52653)  
 C-UL(File No. E52653) authorization article.



1	BERYLLIUM COPPER	Contact area : Gold 0.2μm min.	4	PBT	BLACK	UL94V-0			
		Other area : Gold 0.03μm min.	3	PBT	BLACK	UL94V-0			
		Under plating : Nickel	2	PBT	BLACK	UL94V-0			
NO.	MATERIAL	FINISH .	REMARKS	NO.	MATERIAL	FINISH .	REMARKS		
UNITS	mm	SCALE	2 : 1	COUNT	1	DESCRIPTION OF REVISIONS	DESIGNED	CHECKED	DATE
						DIS-F-00005848	AK. IWAHORI	HT. YAMAGUCHI	20200218
APPROVED : HT. YAMAGUCHI		20181211		DRAWING NO.		EDC-017347-63-00			
CHECKED : HT. YAMAGUCHI		20181211		PART NO.		HIF3BB-60D-2.54R(63)			
DESIGNED : MT. ITANO		20181211		CODE NO.		CL610-0042-7-63			
DRAWN : MK. OOKI		20181207							

May.1.2024 Copyright 2024 HIROSE ELECTRIC CO., LTD. All Rights Reserved.  
In case of consideration for using Automotive equipment / device which demand high reliability, kindly contact our sales window correspondents.



<b>HRS</b>	DRAWING NO.	EDC-017347-63-00
	PART NO.	HIF3BB-60D-2.54R(63)
	CODE NO.	CL610-0042-7-63
		$\triangle$ 2/2