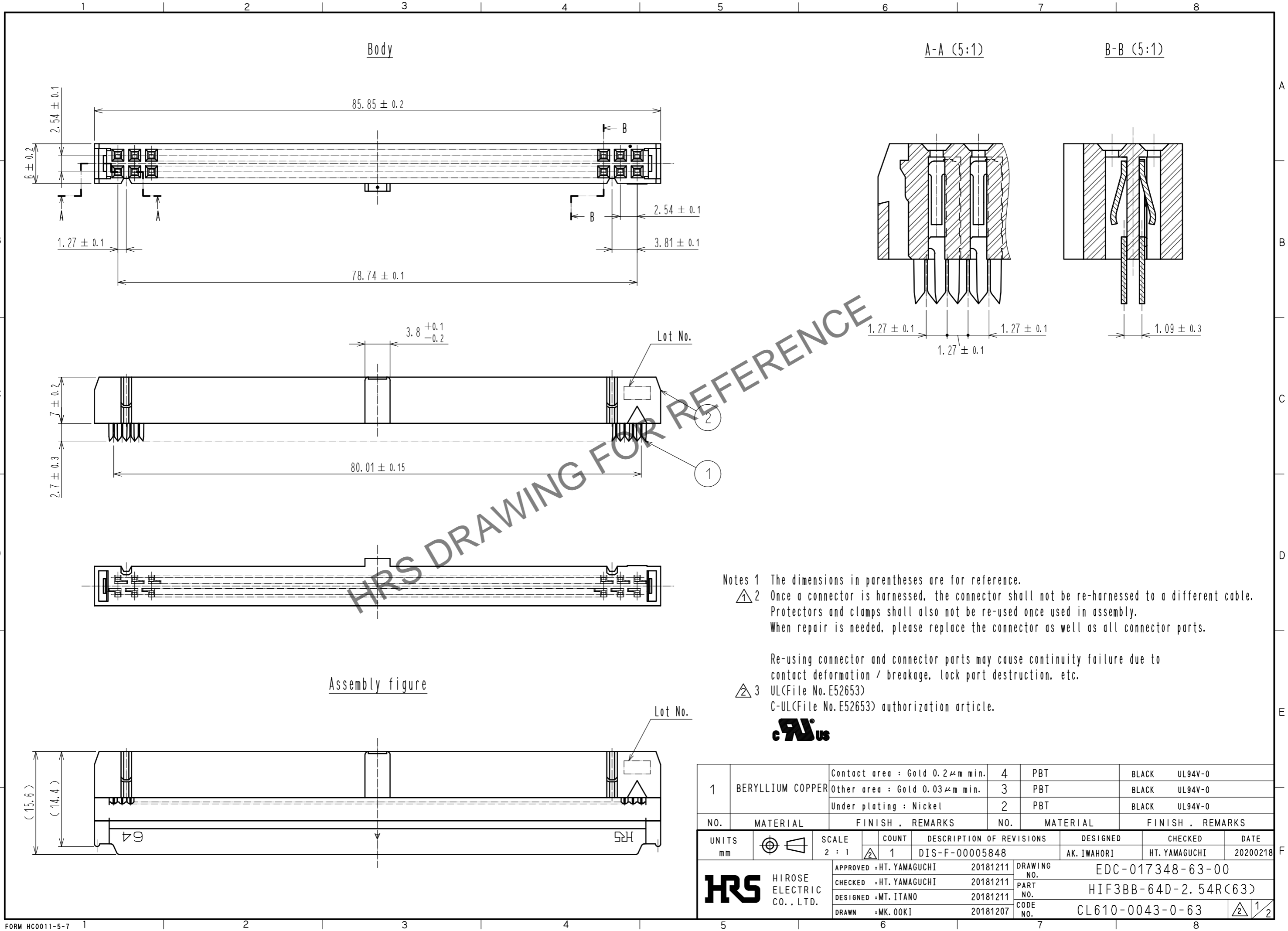
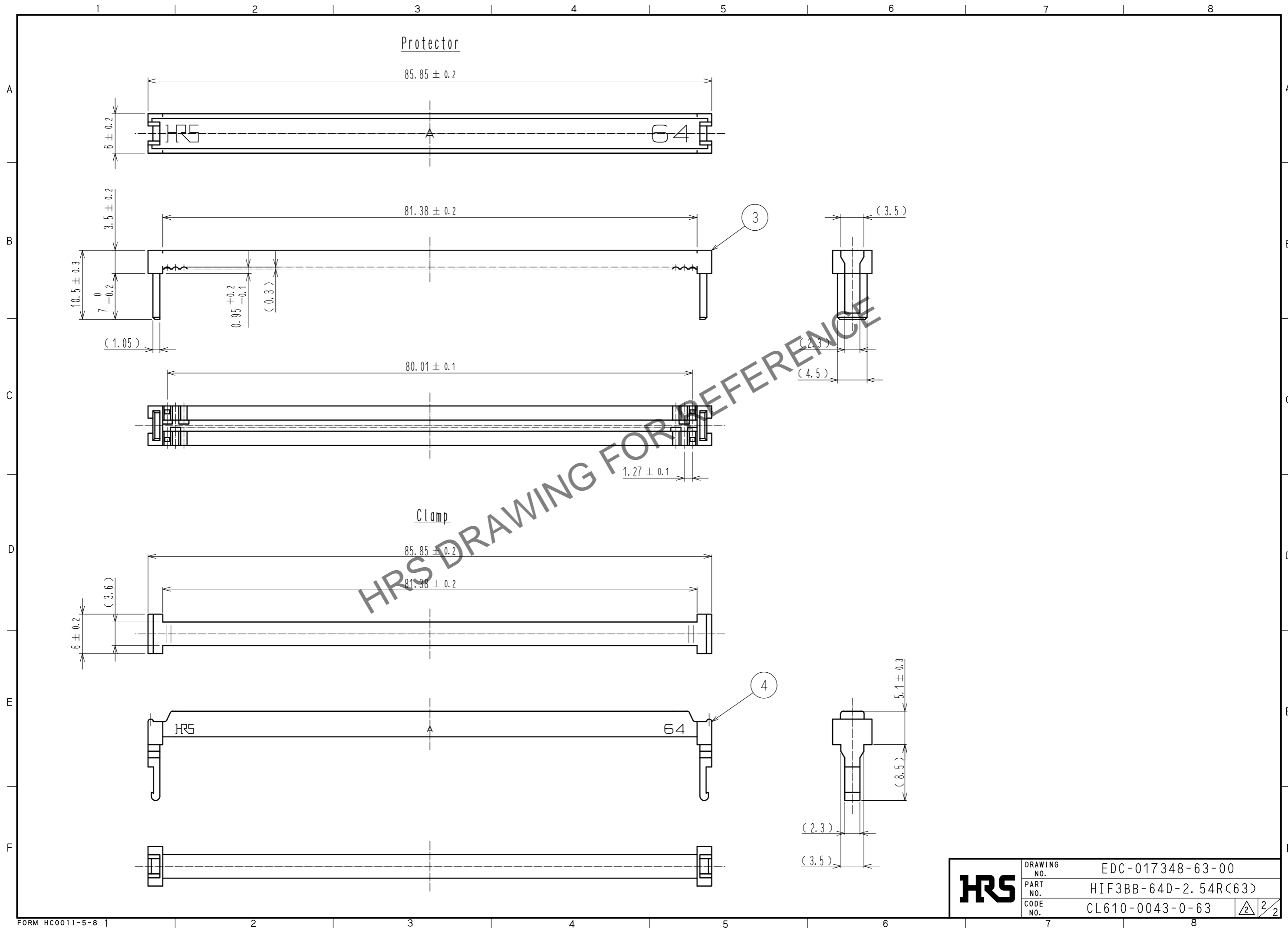


May.1.2024 Copyright 2024 HIROSE ELECTRIC CO., LTD. All Rights Reserved.  
In case of consideration for using Automotive equipment / device which demand high reliability, kindly contact our sales window correspondents.



1	BERYLLIUM COPPER	Contact area : Gold 0.2 $\mu$ m min.	4	PBT	BLACK	UL94V-0
		Other area : Gold 0.03 $\mu$ m min.	3	PBT	BLACK	UL94V-0
		Under plating : Nickel	2	PBT	BLACK	UL94V-0
NO.	MATERIAL	FINISH . REMARKS	NO.	MATERIAL	FINISH . REMARKS	
UNITS		SCALE	COUNT	DESCRIPTION OF REVISIONS		DESIGNED
mm		2 : 1	1	DIS-F-00005848		AK. IWAHORI
<b>HRS</b> HIROSE ELECTRIC CO., LTD.		APPROVED : HT. YAMAGUCHI	20181211	DRAWING NO.		EDC-017348-63-00
		CHECKED : HT. YAMAGUCHI	20181211	PART NO.		HIF3BB-64D-2. 54R(63)
		DESIGNED : MT. ITANO	20181211	CODE NO.		CL610-0043-0-63
		DRAWN : MK. OOKI	20181207			1/2

May.1.2024 Copyright 2024 HIROSE ELECTRIC CO., LTD. All Rights Reserved.  
In case of consideration for using Automotive equipment / device which demand high reliability, kindly contact our sales window correspondents.



<b>HRS</b>	DRAWING NO.	EDC-017348-63-00
	PART NO.	HIF3BB-64D-2.54R(63)
	CODE NO.	CL610-0043-0-63
		