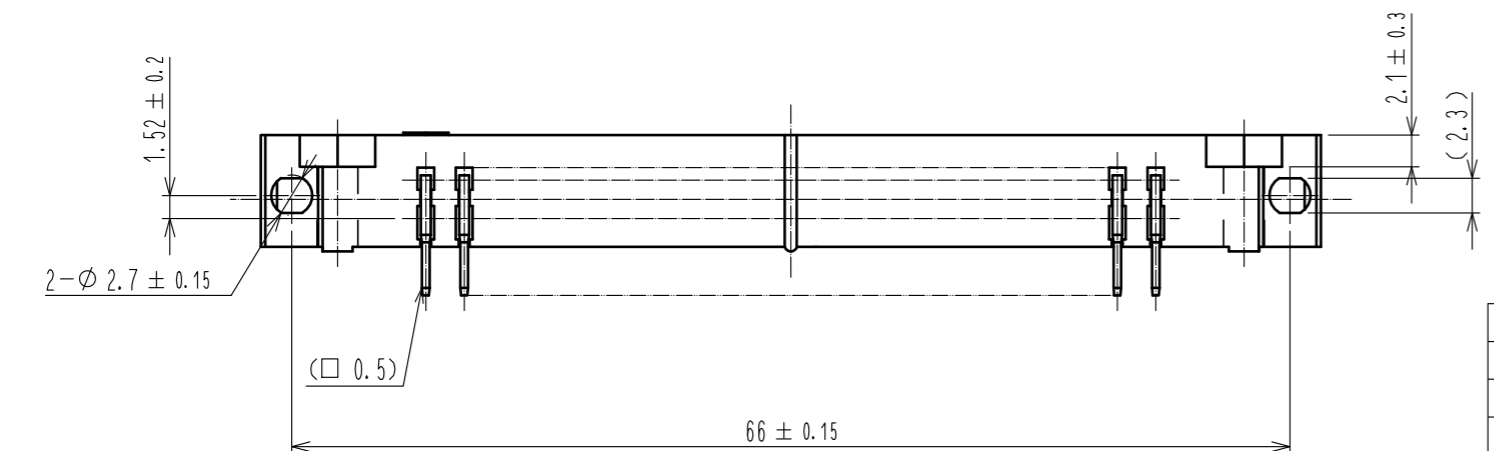
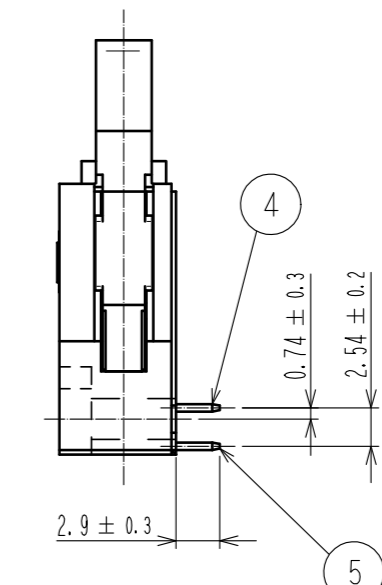
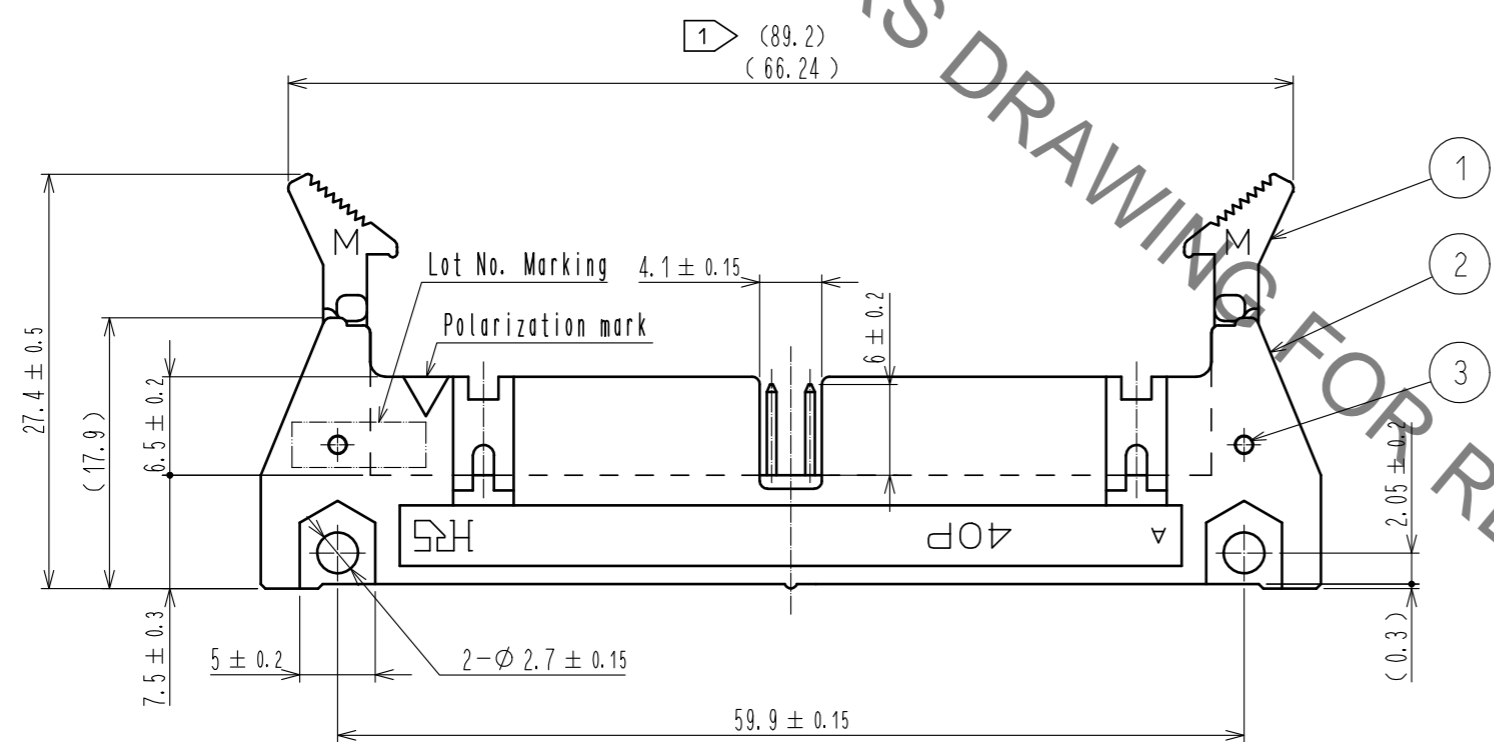
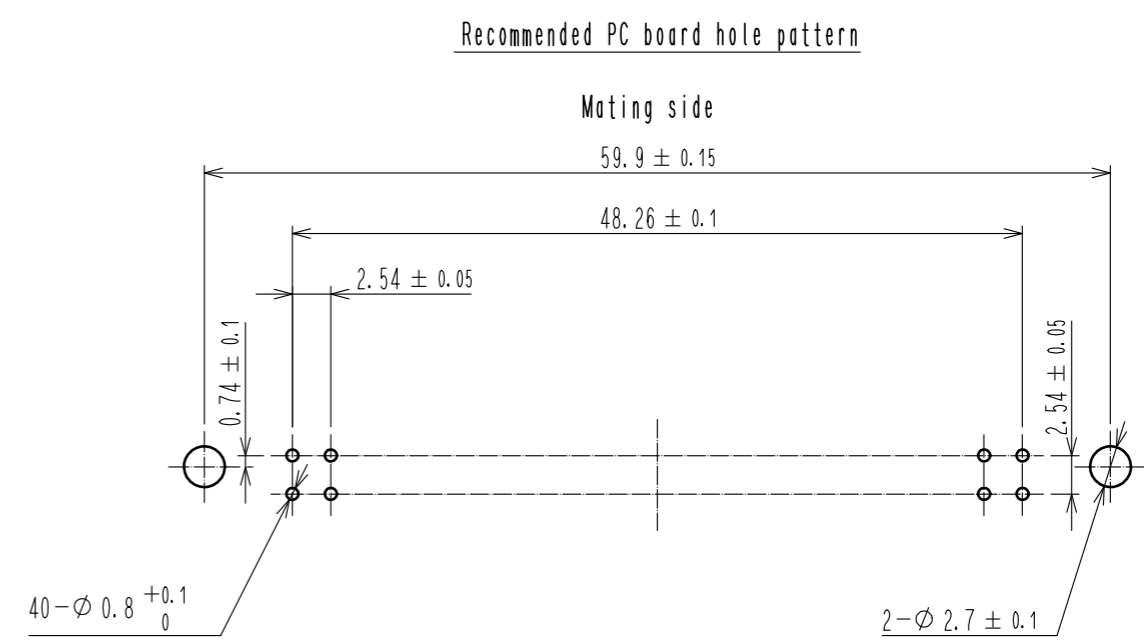
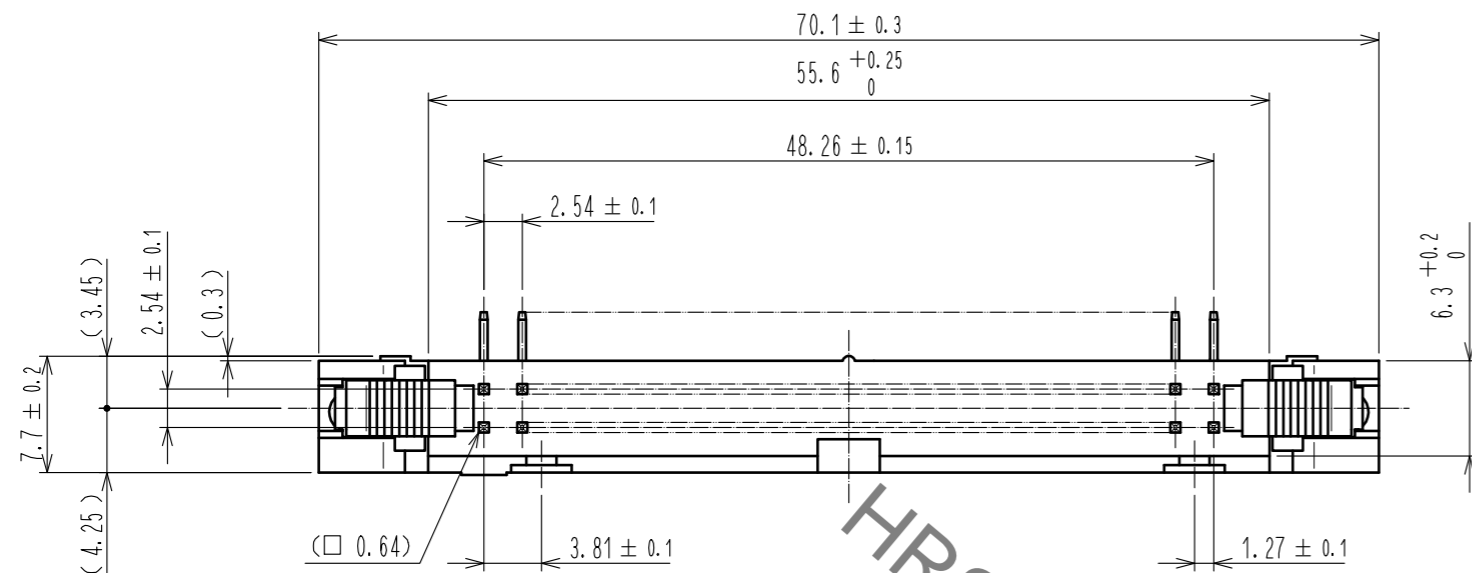


May.1.2022 Copyright 2022 HIROSE ELECTRIC CO., LTD. All Rights Reserved.
In case of consideration for using Automotive equipment / device which demand high reliability, kindly contact our sales window correspondents.



Notes 1 The upper row dimension shows when the lock open out.
2 The dimensions in parentheses are for reference.
3 UL(File No. E52653)
C-UL(File No. E52653) authorization article.



3	STAINLESS			5	BRASS	Contact area : Gold 0.2μm min Dip area : TIN-Plating 2μm min Under plating : Nickel 2.5μm min			
2	PBT	BLACK	UL94V-0	4	BRASS	Contact area : Gold 0.2μm min Dip area : TIN-Plating 2μm min Under plating : Nickel 2.5μm min			
1	PBT	BLACK	UL94V-0						
NO.	MATERIAL	FINISH	REMARKS	NO.	MATERIAL	FINISH . REMARKS			
UNITS	mm	SCALE	2 : 1	COUNT	1	DESCRIPTION OF REVISIONS	DESIGNED	CHECKED	DATE
						DIS-F-00005872	AK. IWAHORI	HT. YAMAGUCHI	20200221
APPROVED : HT. YAMAGUCHI		20181210		DRAWING NO.		EDC-016935-63-00			
CHECKED : HT. YAMAGUCHI		20181210		PART NO.		HIF3B-40PA-2.54DS(63)			
DESIGNED : TS. OONO		20181207		CODE NO.		CL610-0057-4-63			
DRAWN : MK. OKI		20181207							