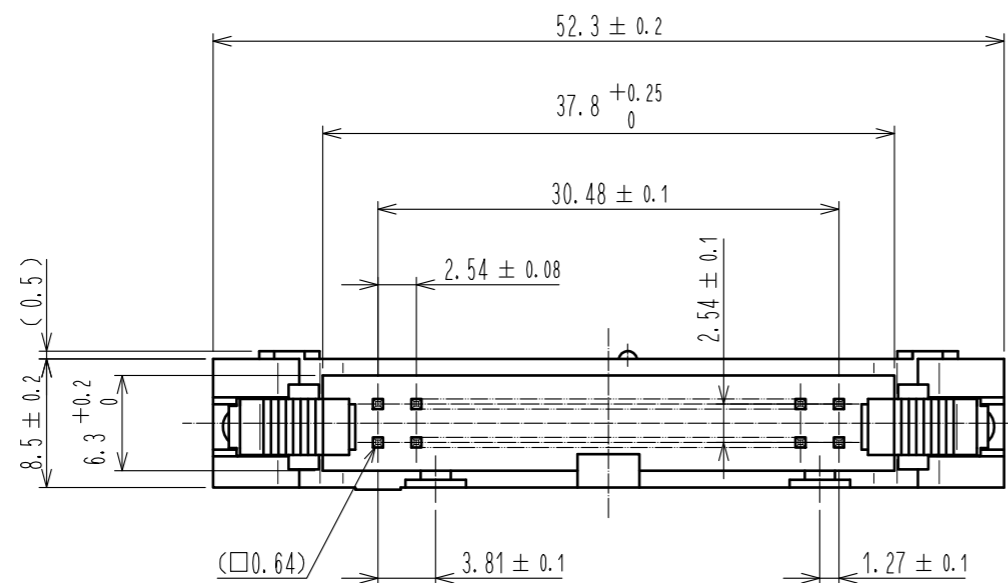
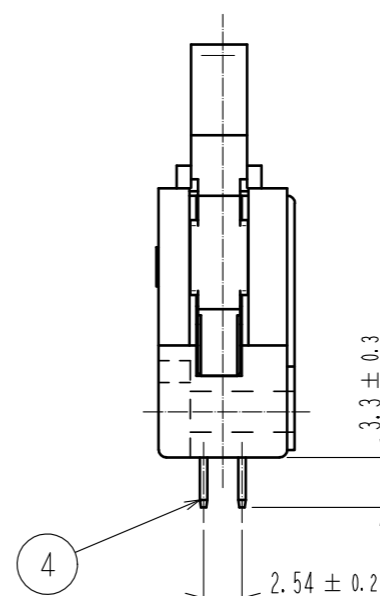
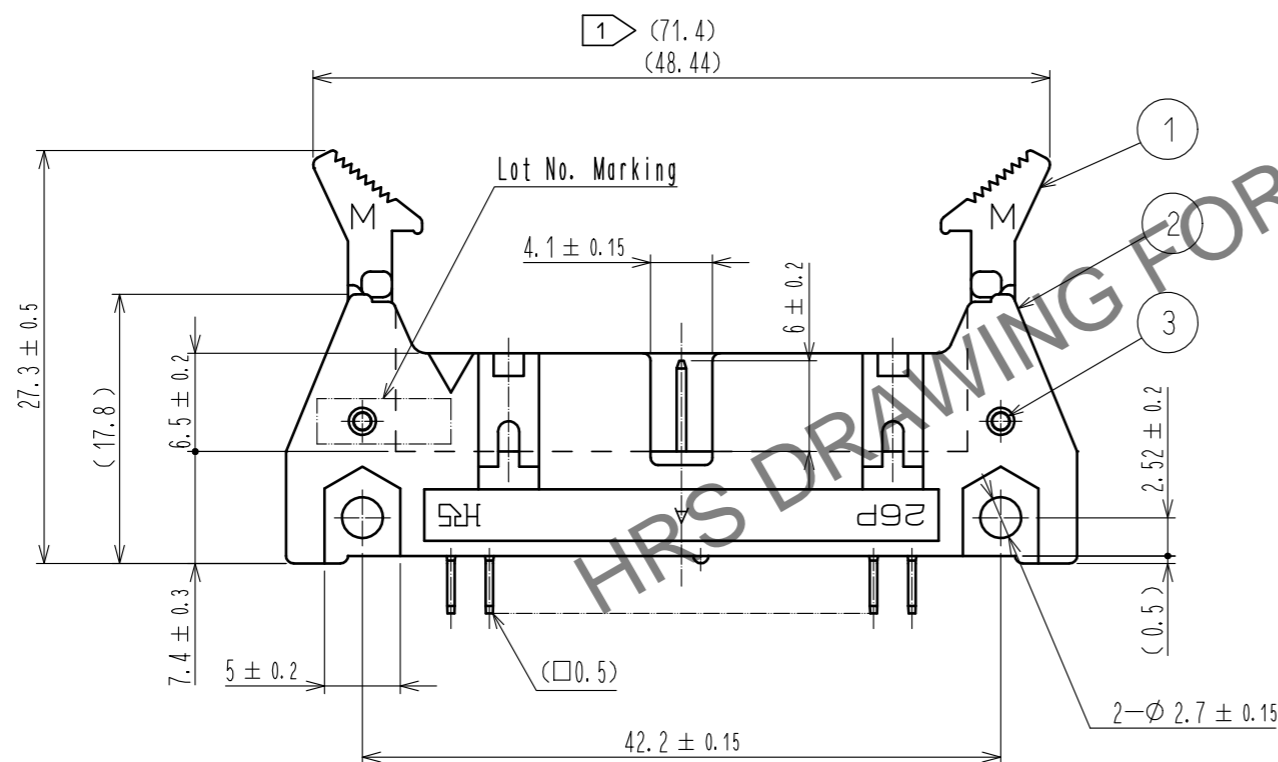
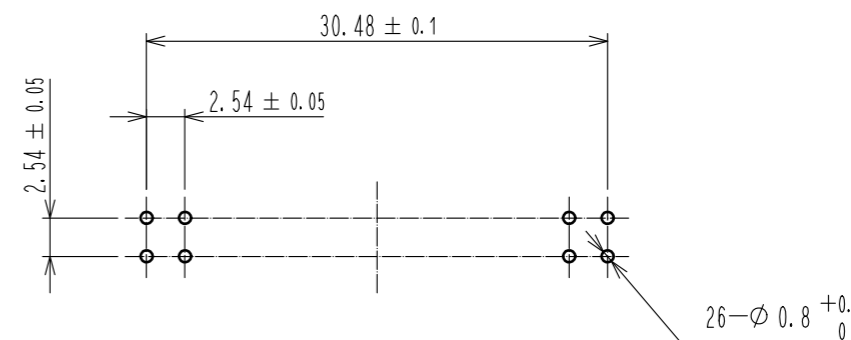


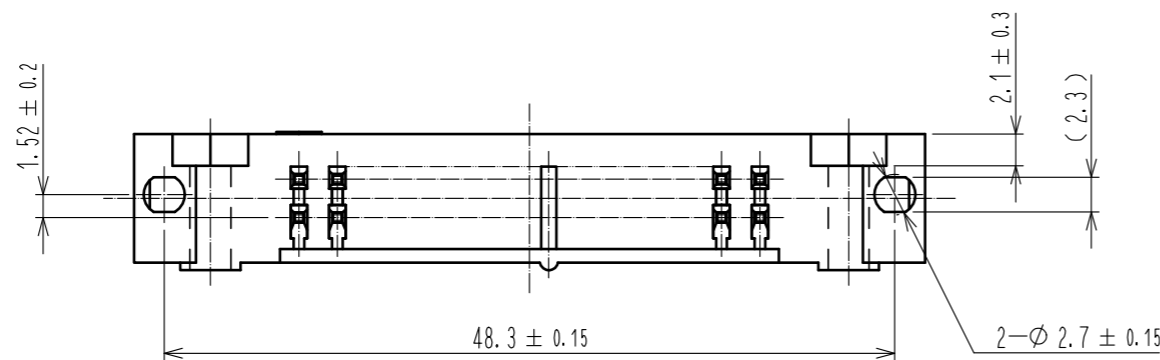
Jul.1.2024 Copyright 2024 HIROSE ELECTRIC CO., LTD. All Rights Reserved.
 In case of consideration for using Automotive equipment / device which demand high reliability, kindly contact our sales window correspondents.



Recommended PC board hole pattern



- Notes
- 1 The upper dimension shows when the lock open out.
 - 2 The dimensions in parentheses are for reference.
 - 3 UL(File No. E52653)
C-UL(File No. E52653) authorization article.



| 3 | STAINLESS | | | 4 | BRASS | Contact area : Gold 0.2µm min | | | |
|--------------------------|-----------|----------|---------|-------------|----------|----------------------------------|-------------|---------------|----------|
| 2 | PBT | BLACK | UL94V-0 | | | Dip area : TIN-Plating 2µm min | | | |
| 1 | PBT | BLACK | UL94V-0 | | | Under plating : Nickel 2.5µm min | | | |
| NO. | MATERIAL | FINISH | REMARKS | NO. | MATERIAL | FINISH | REMARKS | | |
| UNITS | mm | SCALE | 2 : 1 | COUNT | 1 | DESCRIPTION OF REVISIONS | DESIGNED | CHECKED | DATE |
| | | | | | | DIS-F-00005839 | AK. IWAHORI | HT. YAMAGUCHI | 20200217 |
| APPROVED : HT. YAMAGUCHI | | 20181210 | | DRAWING NO. | | EDC-017373-63-00 | | | |
| CHECKED : HT. YAMAGUCHI | | 20181210 | | PART NO. | | HIF3BA-26PA-2.54DSA(63) | | | |
| DESIGNED : HR. NAGAYASU | | 20181207 | | CODE NO. | | CL610-0115-9-63 | | | |
| DRAWN : TS. HORI | | 20181207 | | | | | | | |