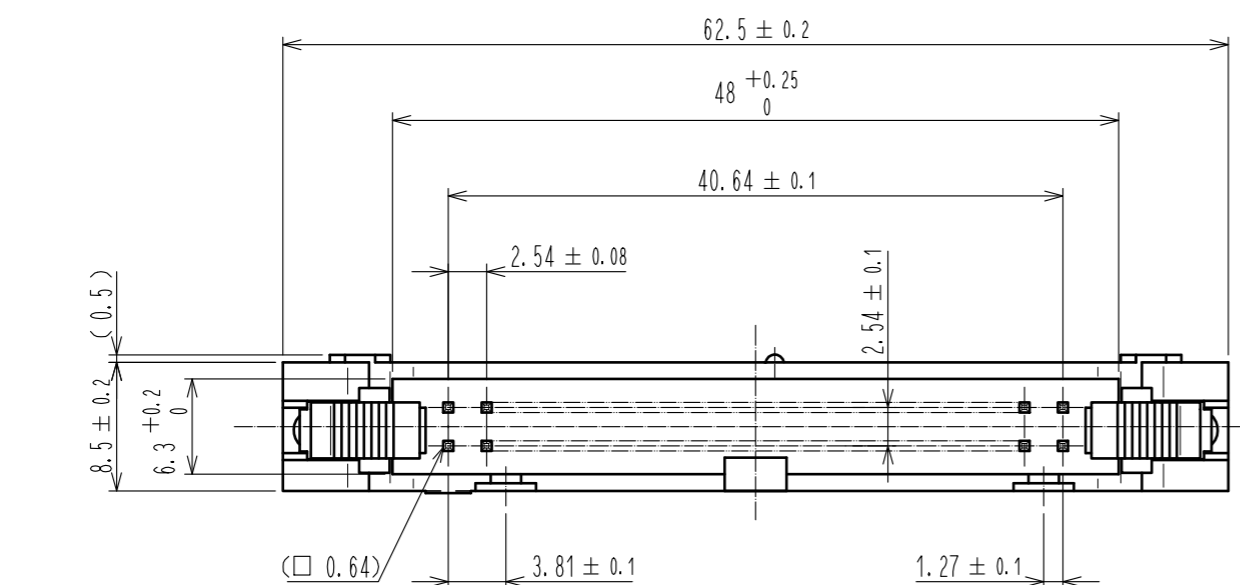
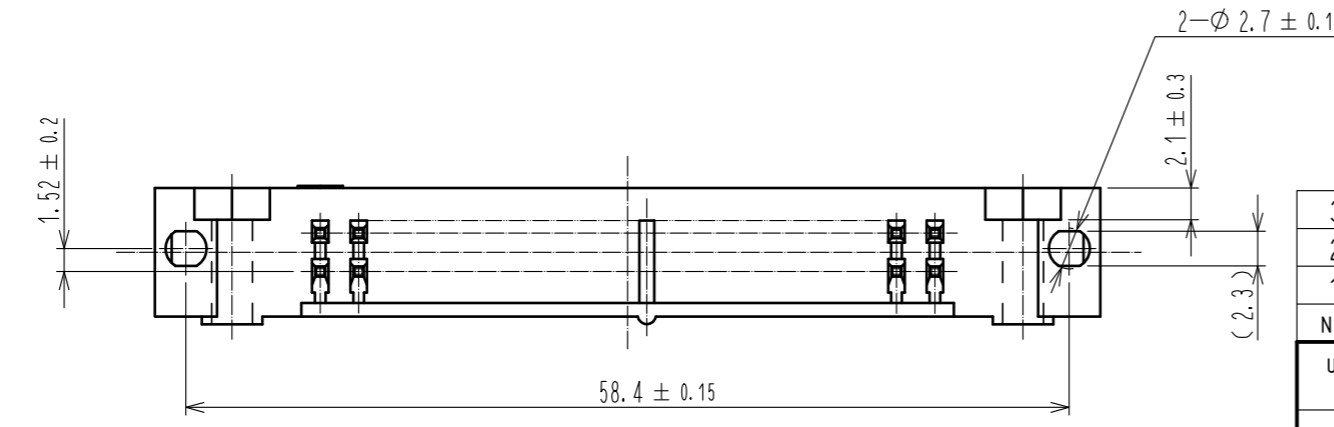
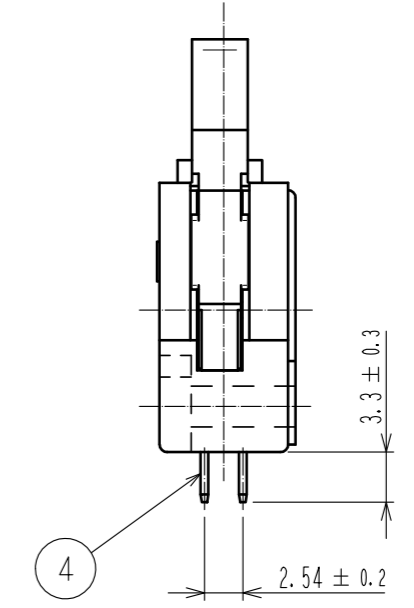
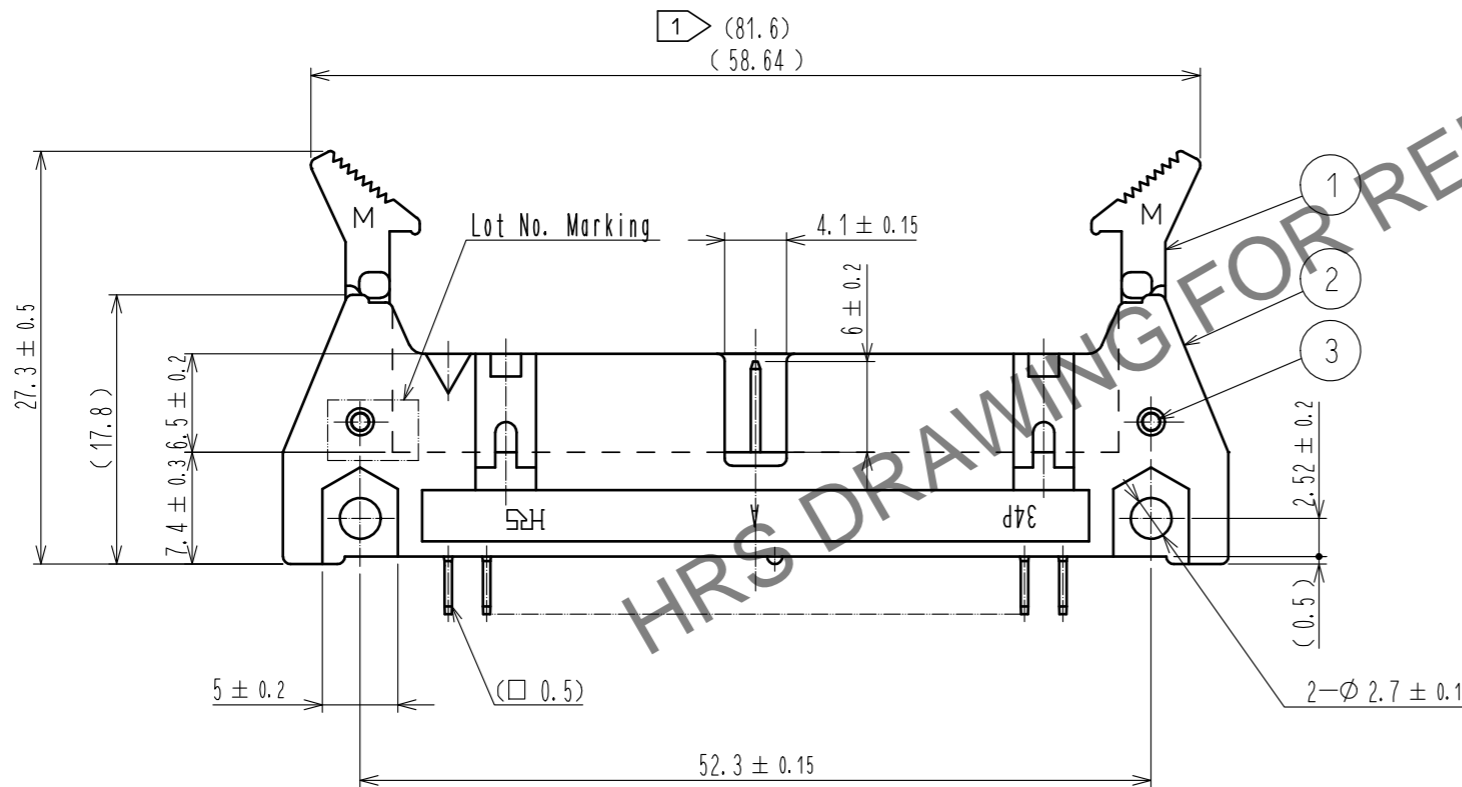
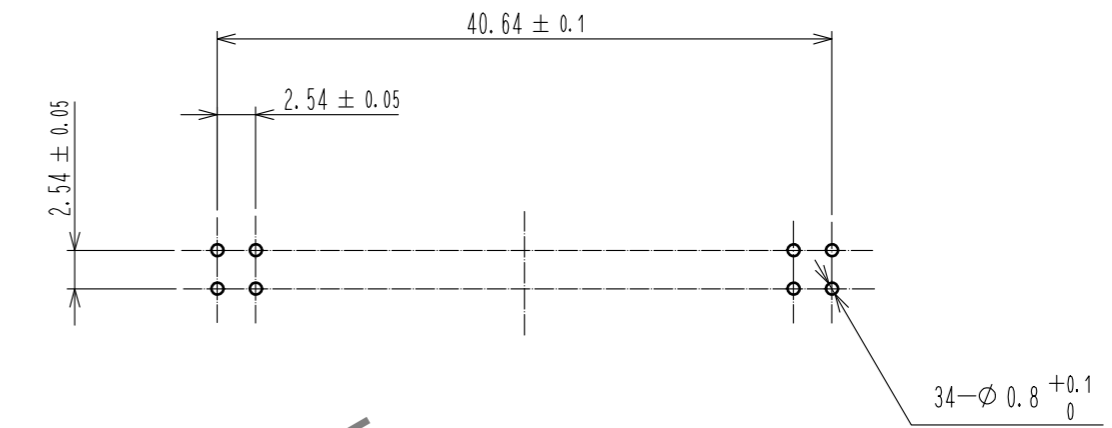


Jul.1.2024 Copyright 2024 HIROSE ELECTRIC CO., LTD. All Rights Reserved.
 In case of consideration for using Automotive equipment / device which demand high reliability, kindly contact our sales window correspondents.



Recommended PC board hole pattern



Notes 1 The upper dimension shows when the lock open out.
 2 The dimensions in parentheses are for reference.

3	STAINLESS			4	BRASS	Contact area : Gold (Flash)		
2	PBT	BLACK	UL94V-0			Dip area : TIN-Plating 2μm min		
1	PBT	BLACK	UL94V-0			Under plating : Nickel 2.5μm min		
NO.	MATERIAL	FINISH	REMARKS	NO.	MATERIAL	FINISH	REMARKS	
UNITS		SCALE	COUNT	DESCRIPTION OF REVISIONS		DESIGNED	CHECKED	DATE
mm		2 : 1	△					
HRS HIROSE ELECTRIC CO., LTD.		APPROVED : NH. NAKATA	18.04.03	DRAWING NO. EDC-017375-72-22				
		CHECKED : MT. ITANO	18.04.03	PART NO. HIF3BA-34PA-2.54DSA(72)				
		DESIGNED : HR. NAGAYASU	18.04.02	CODE NO. CL610-0117-4-72				
		DRAWN : BOBAE KIM	18.03.30					