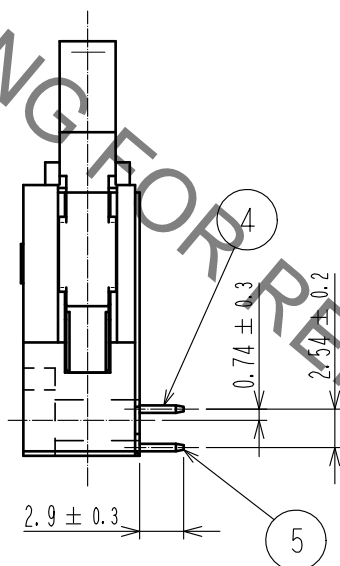
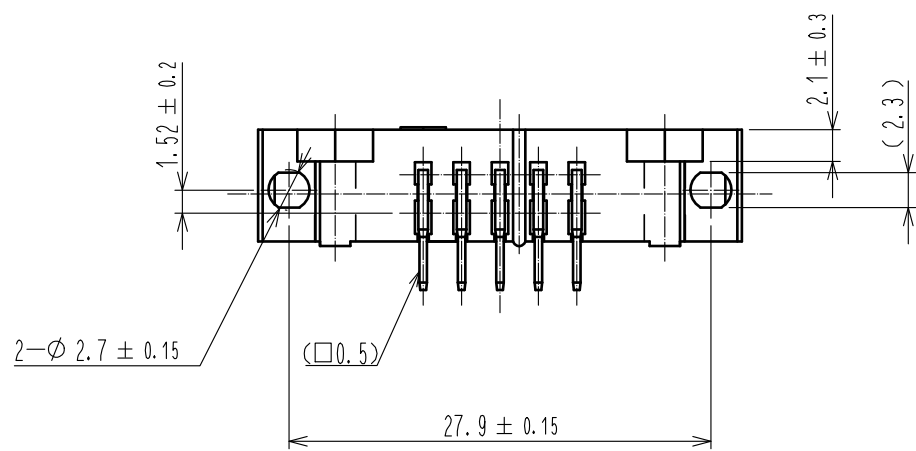
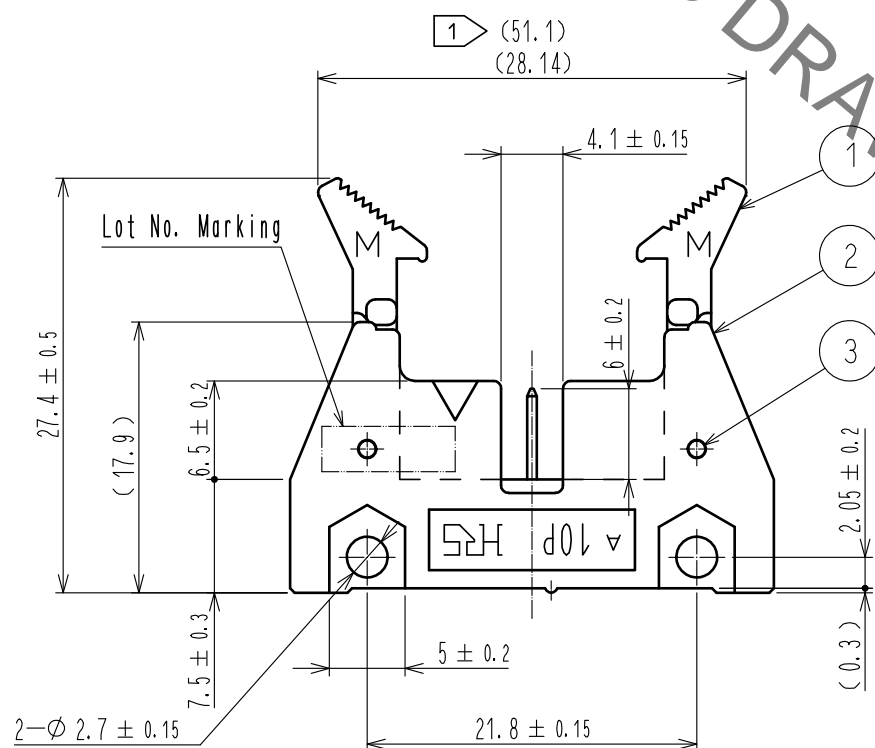
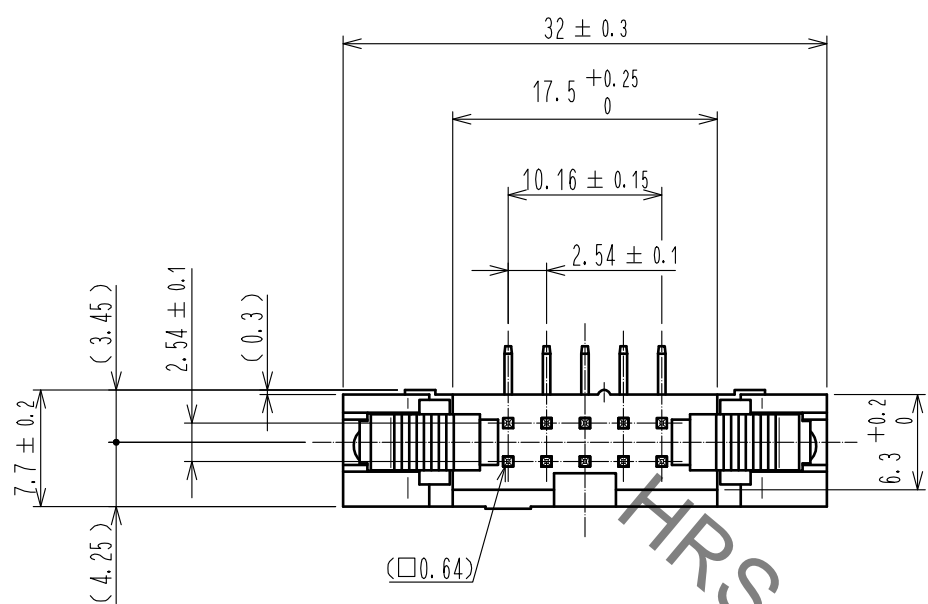
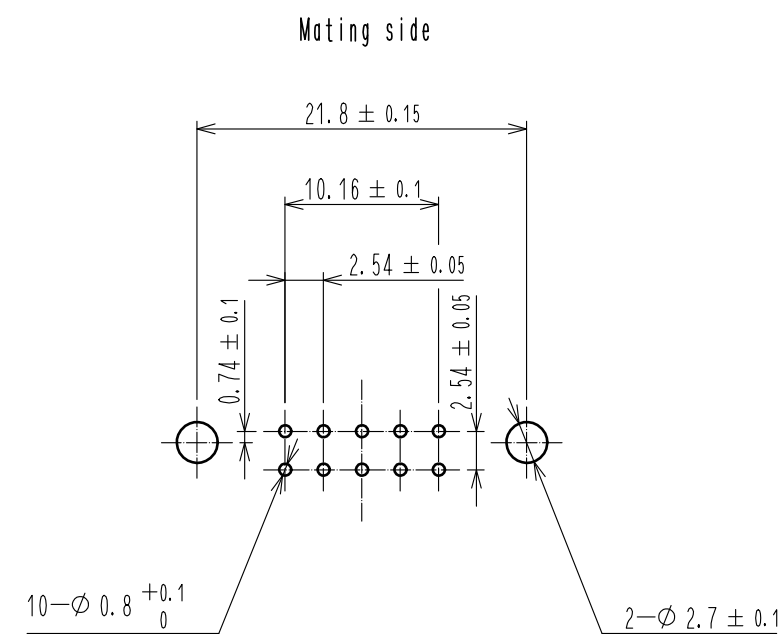


Feb.1.2023 Copyright 2023 HIROSE ELECTRIC CO., LTD. All Rights Reserved.
 In case of consideration for using Automotive equipment / device which demand high reliability, kindly contact our sales window correspondents.



Recommended PC board hole pattern



- Notes
- 1 The upper dimension shows when the lock open out.
 - 2 The dimensions in parentheses are for reference.
 - 3 UL(File No.E52653)
C-UL(File No.E52653) authorization article.



3	STAINLESS			5	BRASS	Contact area : Gold 0.2μm min Dip area : TIN-Plating 2μm min Under plating : Nickel 2.5μm min
2	PBT	BLACK	UL94V-0	4	BRASS	Contact area : Gold 0.2μm min Dip area : TIN-Plating 2μm min Under plating : Nickel 2.5μm min
1	PBT	BLACK	UL94V-0			
NO.	MATERIAL	FINISH	REMARKS	NO.	MATERIAL	FINISH . REMARKS

UNITS mm		SCALE 2 : 1	COUNT 1	DESCRIPTION OF REVISIONS DIS-F-00005872	DESIGNED AK. IWAHORI	CHECKED HT. YAMAGUCHI	DATE 20200221
		APPROVED : HT. YAMAGUCHI	20181210	DRAWING NO. EDC-017576-63-00			
		CHECKED : HT. YAMAGUCHI	20181210	PART NO. HIF3BC-10PA-2.54DS(63)			
		DESIGNED : TS. OONO	20181207	CODE NO. CL610-0151-2-63			
		DRAWN : MK. OOKI	20181207			1/1	