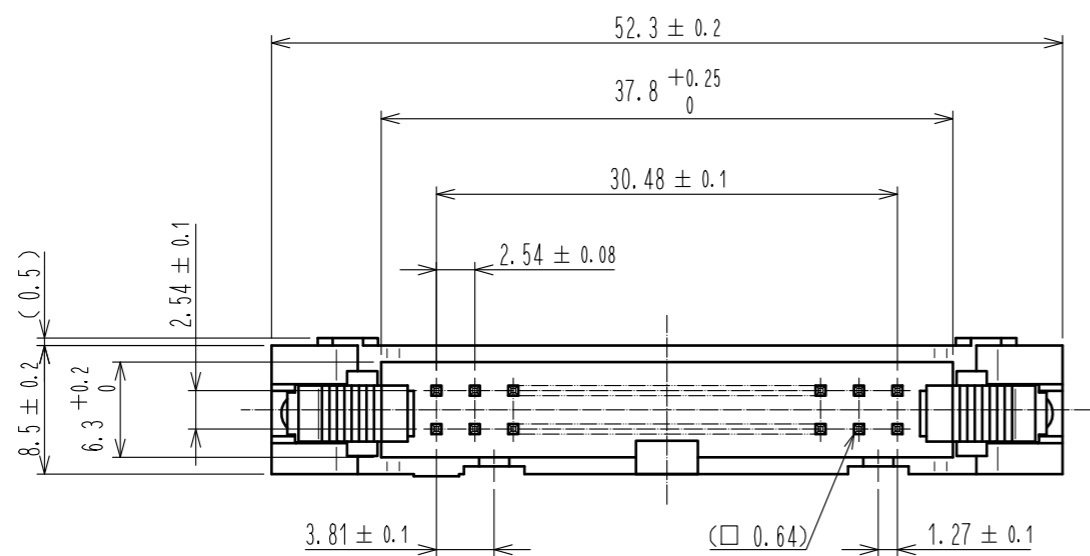
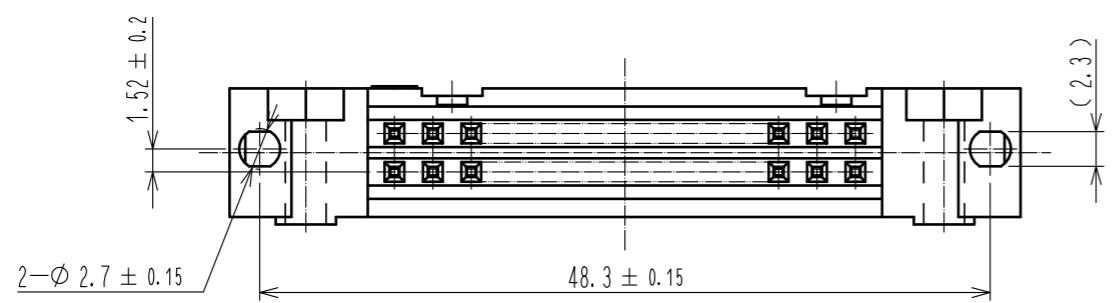
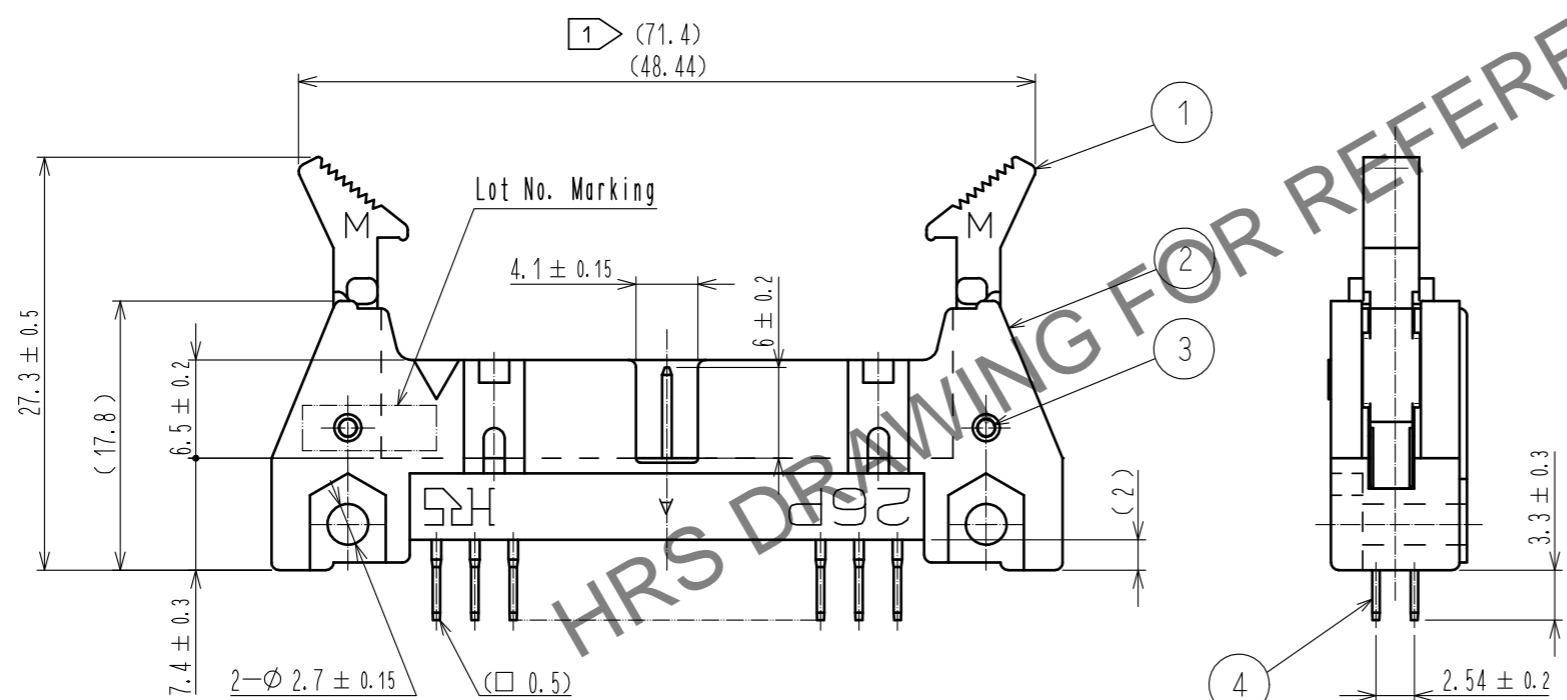
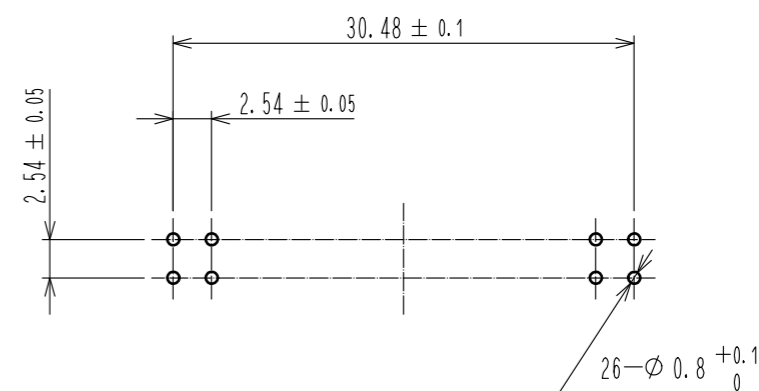


Aug.1.2024 Copyright 2024 HIROSE ELECTRIC CO., LTD. All Rights Reserved.
 In case of consideration for using Automotive equipment / device which demand high reliability, kindly contact our sales window correspondents.



Recommended PC board hole pattern



- Notes
- 1 The upper dimension shows when the lock open out.
 - 2 The dimensions in parentheses are for reference.
 - 3 UL(File No.E52653) authorization article.



3	STAINLESS			4	BRASS	Contact area : Gold 0.2μm min
2	PBT	BLACK	UL94V-0			Dip area : TIN-Plating 2μm min
1	PBT	BLACK	UL94V-0			Under plating: Nickel 2.5μm min
NO.	MATERIAL	FINISH . REMARKS		NO.	MATERIAL	FINISH . REMARKS
UNITS		SCALE	COUNT	DESCRIPTION OF REVISIONS		DESIGNED
mm		2 : 1	1	DIS-F-00005931		AK. IWAHORI
HRS HIROSE ELECTRIC CO., LTD.		APPROVED	HT. YAMAGUCHI	20181210	DRAWING NO. EDC-018948-63-00	
		CHECKED	HT. YAMAGUCHI	20181210	PART NO. HIF3CA-26PA-2.54DSA(63)	
		DESIGNED	HR. NAGAYASU	20181207	CODE NO. CL610-0705-2-63	
		DRAWN	TS. HORI	20181207		
						DATE
						20200309