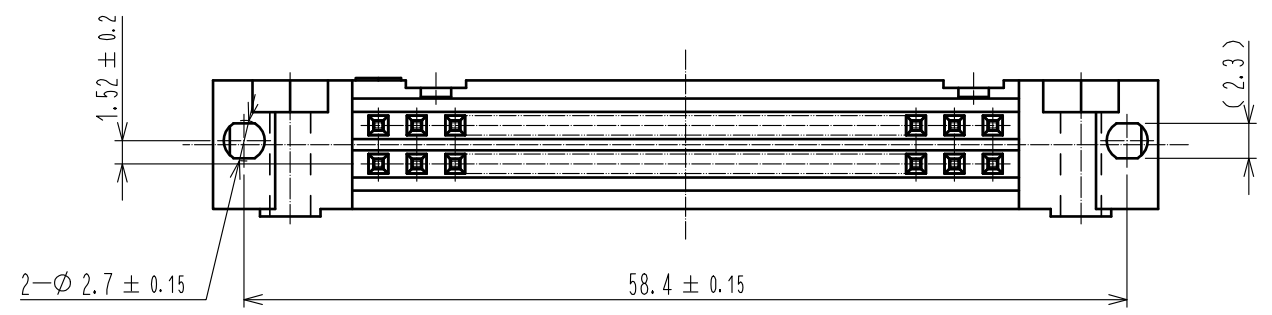
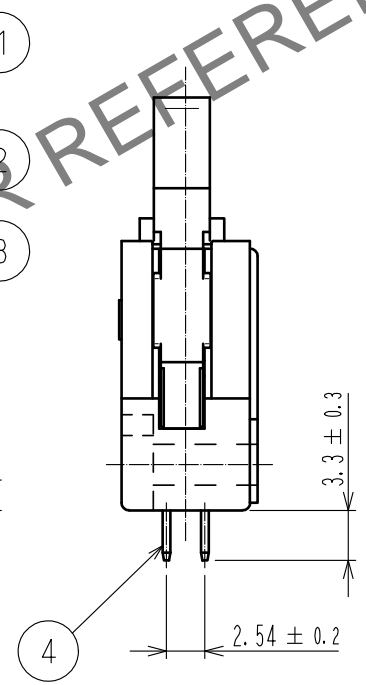
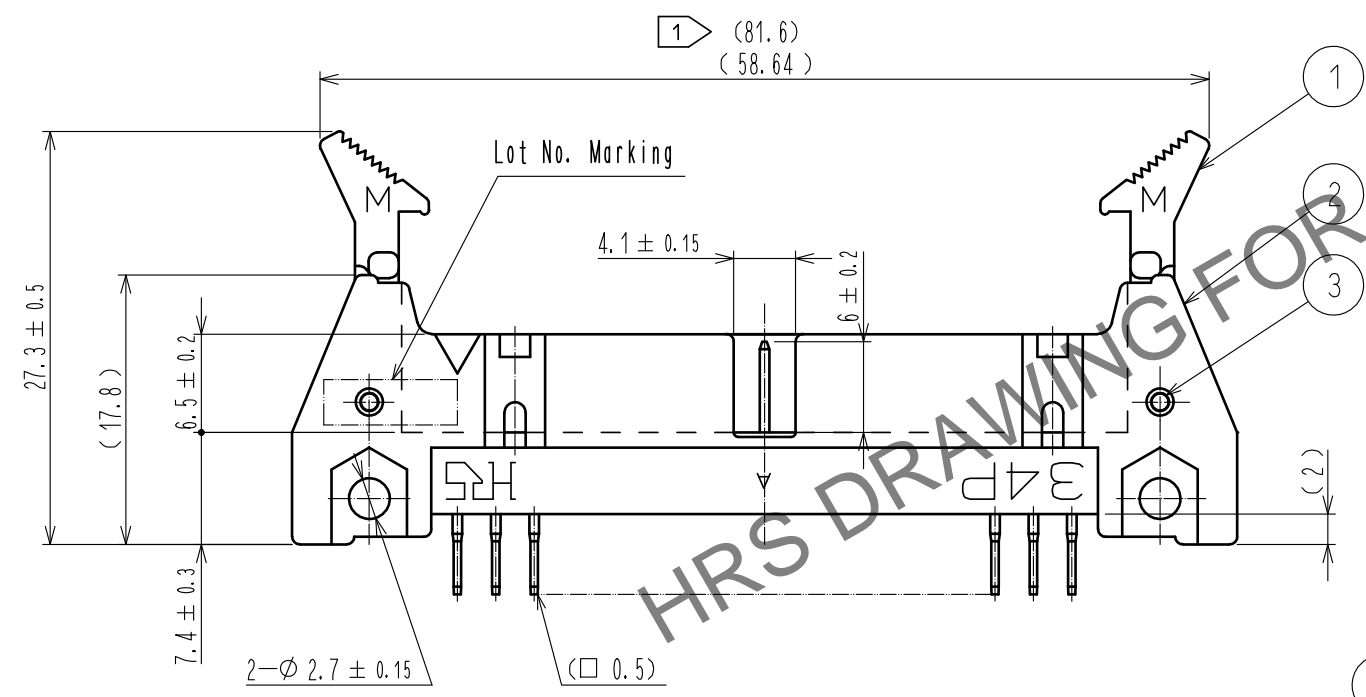
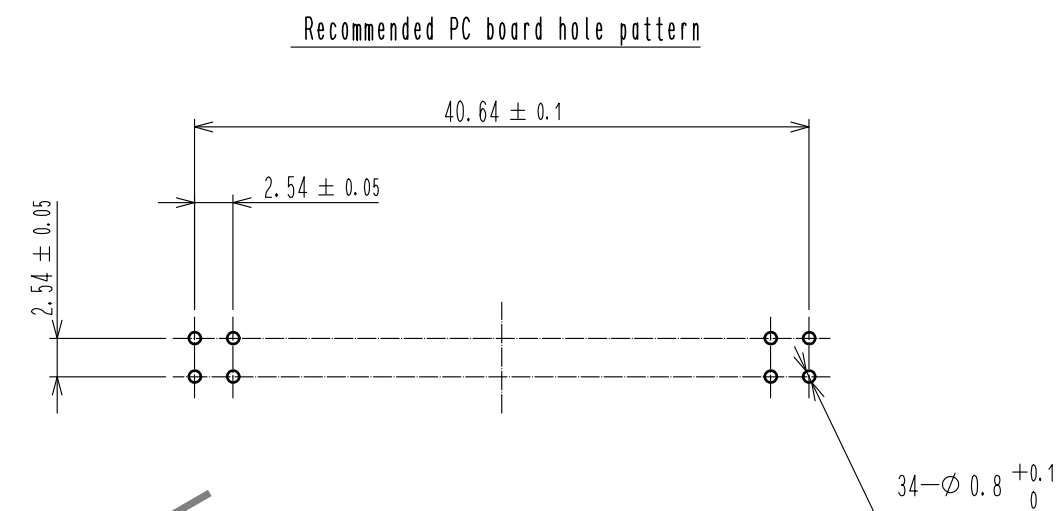
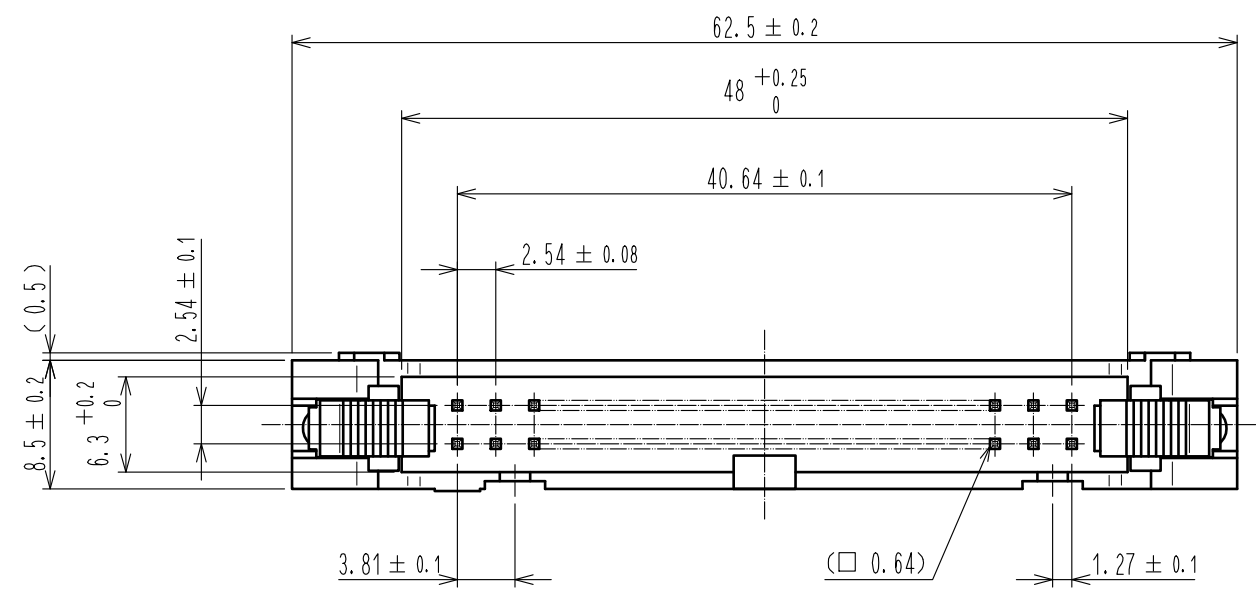


Jul.1.2024 Copyright 2024 HIROSE ELECTRIC CO., LTD. All Rights Reserved.
 In case of consideration for using Automotive equipment / device which demand high reliability, kindly contact our sales window correspondents.



- Notes
- 1 The upper dimension shows when the lock open out.
 - 2 The dimensions in parentheses are for reference.
 - 3 UL(File No. E52653) authorization article.



3	STAINLESS			4	BRASS	Contact area : Gold 0.2μm min.			
2	PBT	BLACK	UL94V-0			Dip area : TIN-Plating 2μm min.			
1	PBT	BLACK	UL94V-0			Under plating : Nickel 2.5μm min			
NO.	MATERIAL	FINISH	REMARKS	NO.	MATERIAL	FINISH . REMARKS			
UNITS	mm	SCALE	2 : 1	COUNT	1	DESCRIPTION OF REVISIONS	DESIGNED	CHECKED	DATE
						DIS-F-00005931	AK. IWAHORI	HT. YAMAGUCHI	20200309
HRS HIROSE ELECTRIC CO., LTD.		APPROVED	HT. YAMAGUCHI	20181210	DRAWING NO.		EDC-018950-63-00		
		CHECKED	HT. YAMAGUCHI	20181210	PART NO.		HIF3CA-34PA-2.54DSA(63)		
		DESIGNED	HR. NAGAYASU	20181207	CODE NO.		CL610-0707-8-63		
		DRAWN	TS. HORI	20181207					