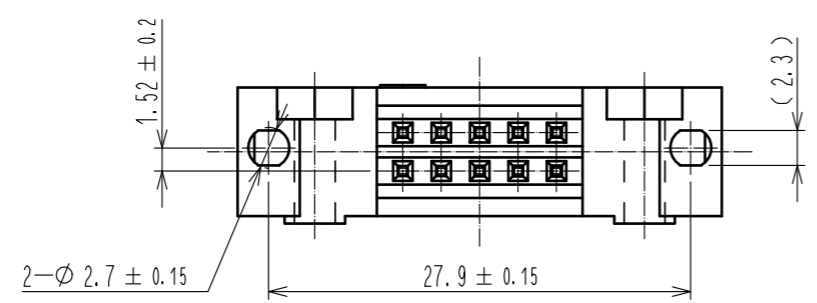
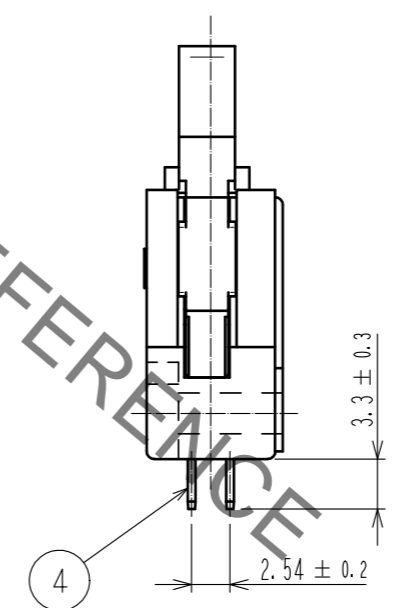
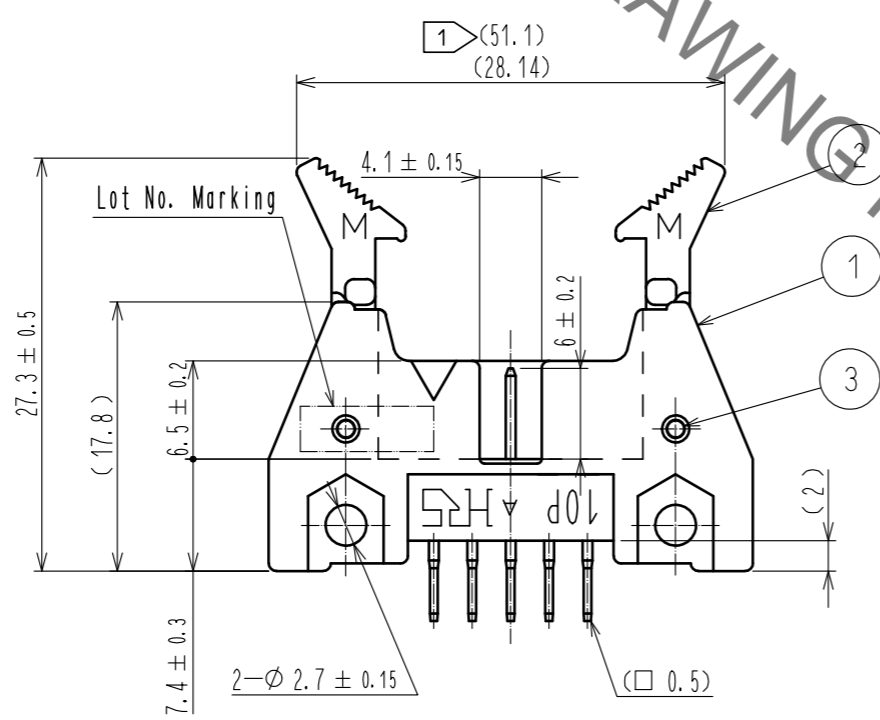
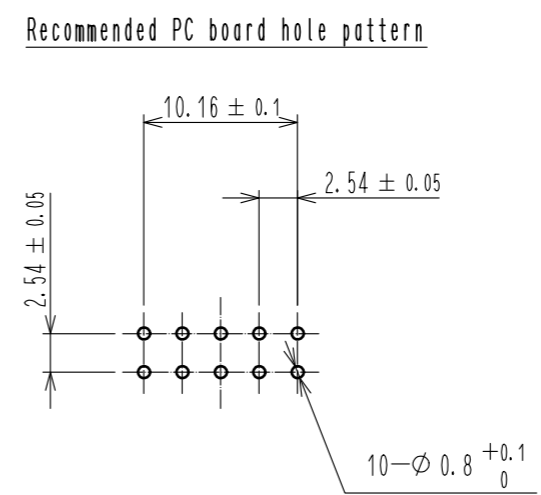
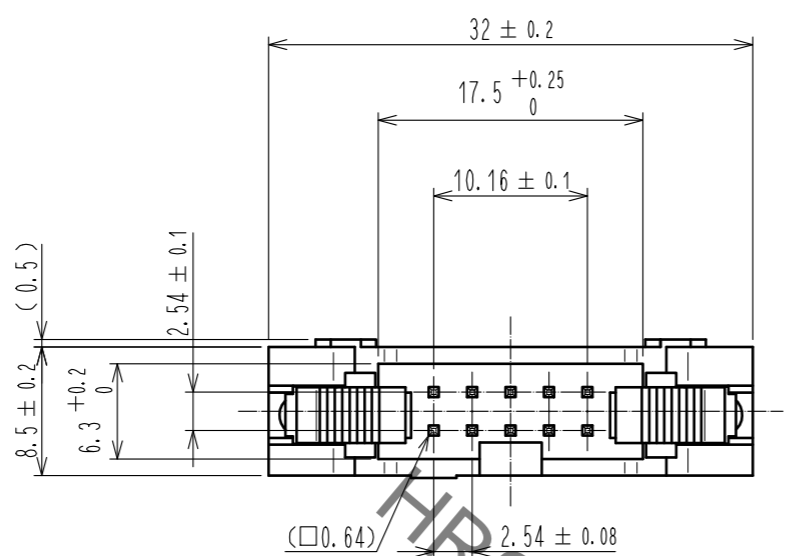


Feb.1.2023 Copyright 2023 HIROSE ELECTRIC CO., LTD. All Rights Reserved.
 In case of consideration for using Automotive equipment / device which demand high reliability, kindly contact our sales window correspondents.



Notes 1 The upper dimension shows when the lock open out.
 2 The dimensions in parentheses are for reference.
 3 UL(File No. E52653) authorization article.



| 3 | STAINLESS | | | | 4 | BRASS | Contact area : Gold 0.2μm min |
|--------------------------------------|-----------|----------|---------------|----------|-------------|--------------------------|---------------------------------|
| 2 | PBT | BLACK | UL94V-0 | | | | Dip area : TIN-Plating 2μm min |
| 1 | PBT | BLACK | UL94V-0 | | | | Under plating: Nickel 2.5μm min |
| NO. | MATERIAL | FINISH | REMARKS | NO. | MATERIAL | FINISH | REMARKS |
| UNITS | mm | SCALE | 2 : 1 | COUNT | 1 | DESCRIPTION OF REVISIONS | DESIGNED |
| | | | | | | DIS-F-00005931 | AK. IWAHORI |
| | | | | | | | CHECKED |
| | | | | | | | HT. YAMAGUCHI |
| | | | | | | | DATE |
| | | | | | | | 20200309 |
| HRS HIROSE ELECTRIC CO., LTD. | | APPROVED | HT. YAMAGUCHI | 20181210 | DRAWING NO. | EDC-019356-63-00 | |
| | | CHECKED | HT. YAMAGUCHI | 20181210 | PART NO. | HIF3CD-10PA-2.54DSA(63) | |
| | | DESIGNED | HR. NAGAYASU | 20181207 | CODE NO. | CL610-0722-1-63 | |
| | | DRAWN | TS. HORI | 20181207 | | | 1/1 |